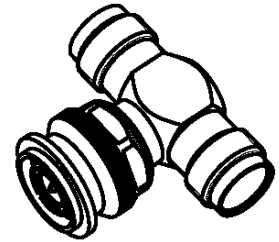
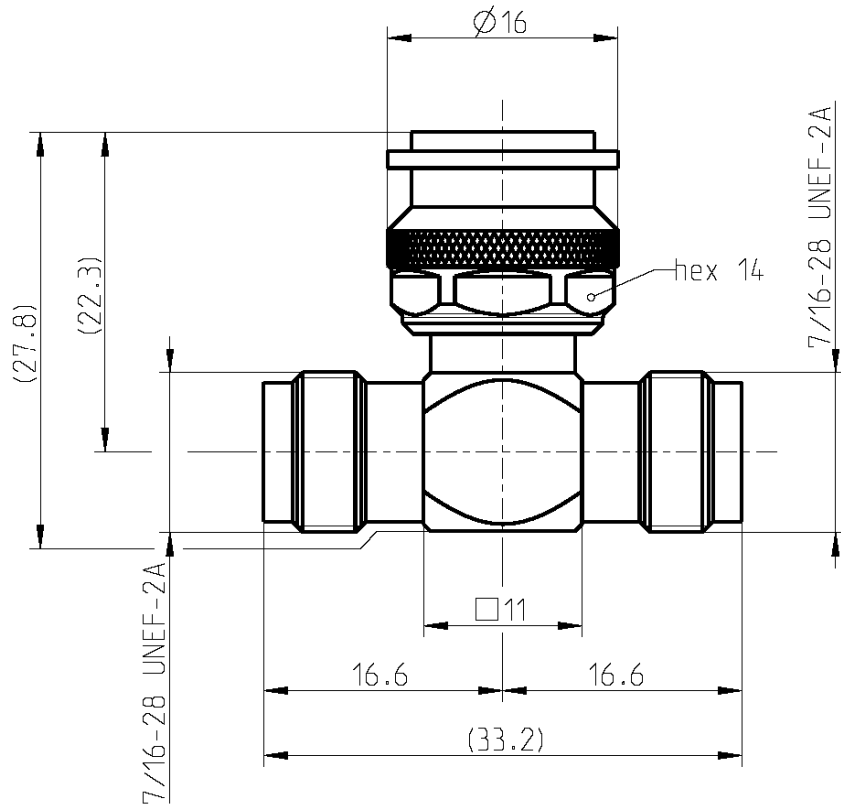


TNC 50 Ω

ADAPTOR  
JACK – PLUG - JACK

**56S301-K00N5**



All dimensions are in mm; tolerances according to ISO 2768 m-H

**Interface**

According to

IEC 60169-17, MIL-PRF-39012, DIN EN 122200

**Documents**

N/A

**Material and plating**

**Connector parts**

Center contact plug side  
Center contact jack side  
Outer contact  
Body  
Dielectric  
Gasket

**Material**

Brass  
Spring bronze  
Brass  
Brass  
PTFE  
NeopreneCR 50C6

**Plating**

AuroDur®, gold plated  
AuroDur®, gold plated  
Flash white bronze over silver(e.g. Optargen®)  
Flash white bronze over silver(e.g. Optargen®)

Dieses Dokument ist urheberrechtlich geschützt • This document is protected by copyright • Rosenberger Hochfrequenztechnik GmbH & Co. KG

RF\_35/08.13/6.1

# Technical Data Sheet

# Rosenberger

TNC 50 Ω

ADAPTOR  
JACK – PLUG - JACK

**56S301-K00N5**

## Electrical data

Impedance	50 Ω
Frequency	DC to 10 GHz
Insulation resistance	≥ 5 x10 <sup>3</sup> MΩ
Center contact resistance	≤ 1.5 mΩ
Outer contact resistance	≤ 1 mΩ
Test voltage	1500 V rms
Working voltage	500 V rms
Power handling (at 20 °C, sea level, VSWR 1.0)	≤ 80 W @ 2 GHz

## Mechanical data

Mating cycles	≥ 500
Center contact captivation: axial	≥ 15 N
Coupling test torque	≤ 1.7 Nm
Recommended torque	0.46 Nm to 0.69 Nm

## Environmental data

Temperature range	-45 °C to +85 °C
Thermal shock	MIL-STD-202, Method 107, Condition B
Corrosion	MIL-STD-202, Method 101, Condition B
Vibration	MIL-STD-202, Method 204, Condition B
Shock	MIL-STD-202, Method 213, Condition G
Moisture resistance	MIL-STD-202, Method 106
RoHS	compliant

## Tooling

N/A

## Suitable cables

N/A

## Weight

Weight 26.5 g/pce

While the information has been carefully compiled to the best of our knowledge, nothing is intended as representation or warranty on our part and no statement herein shall be construed as recommendation to infringe existing patents. In the effort to improve our products, we reserve the right to make changes judged to be necessary.

Draft	Date	Approved	Date	Rev.	Engineering change number	Name	Date
Inge Mühlauer	10.08.04	Sa. Krautenbacher	20.03.14	d00	14-0352	T. Krojer	20.03.14

Rosenberger Hochfrequenztechnik GmbH & Co. KG  
P.O.Box 1260 D-84526 Tittmoning Germany  
www.rosenberger.de

Tel. : +49 8684 18-0  
Fax : +49 8684 18-499  
Email : info@rosenberger.de

Page  
2 / 2