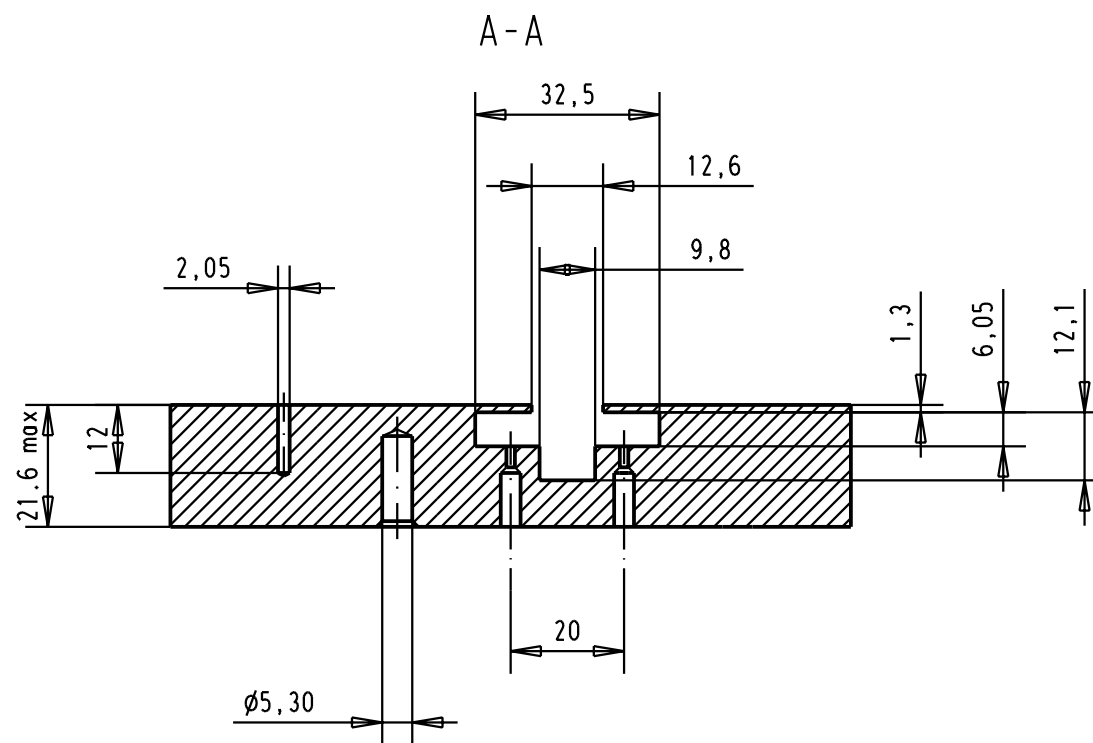
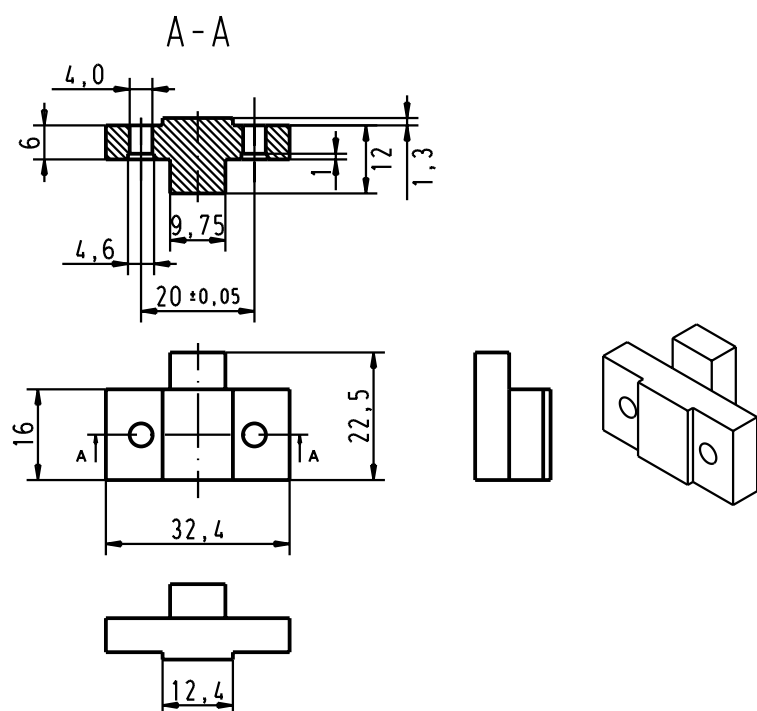
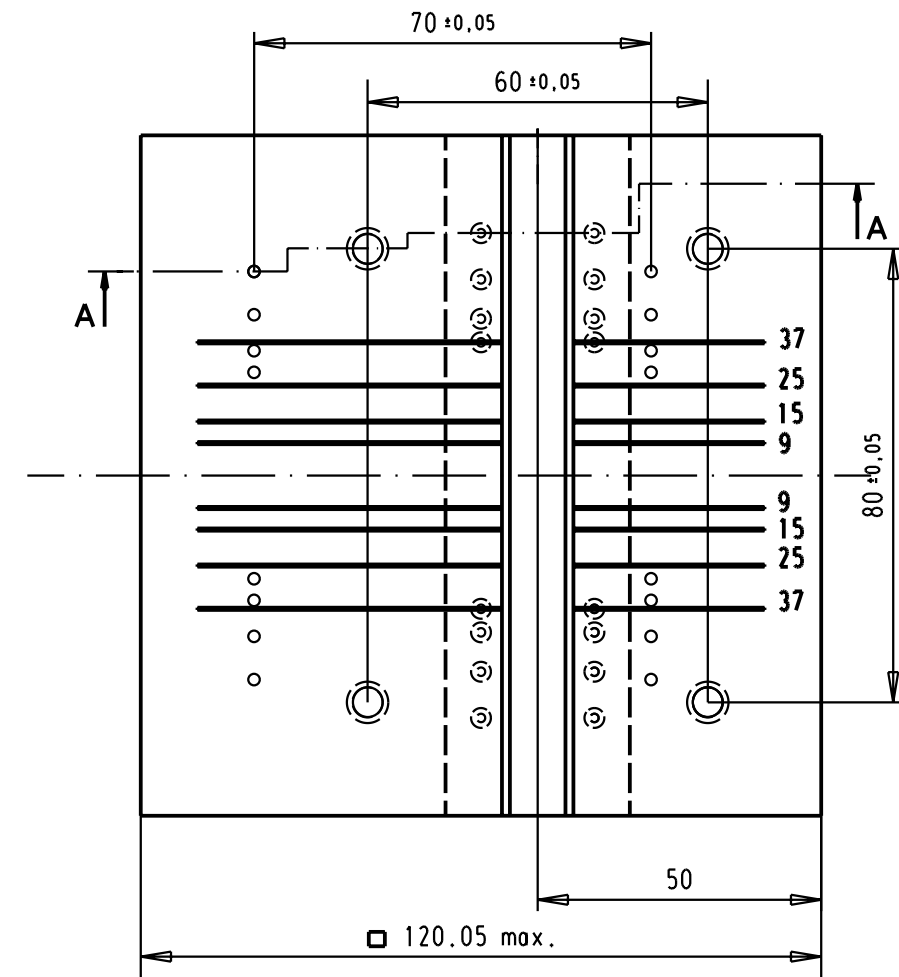


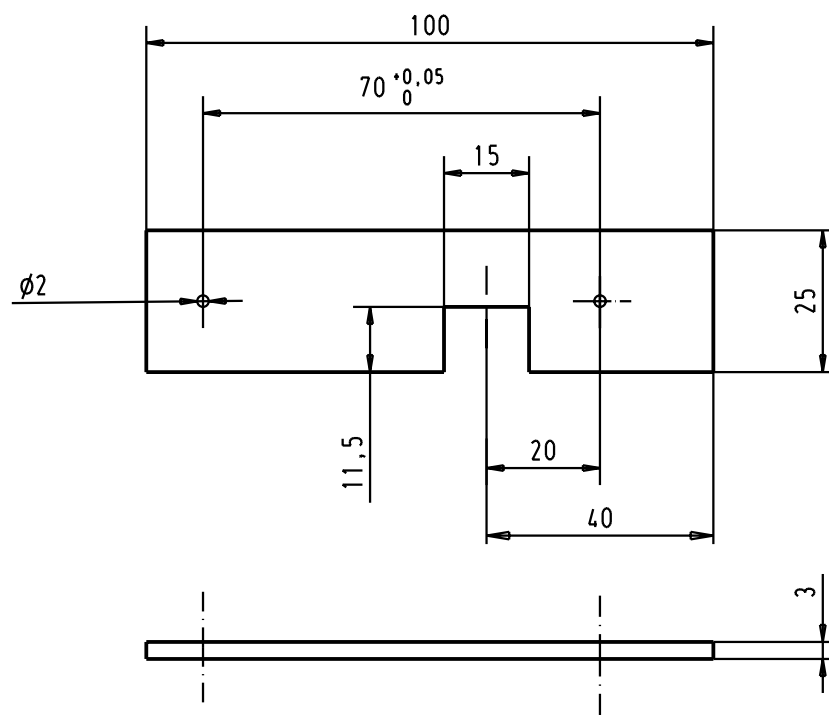
0,5 : 1



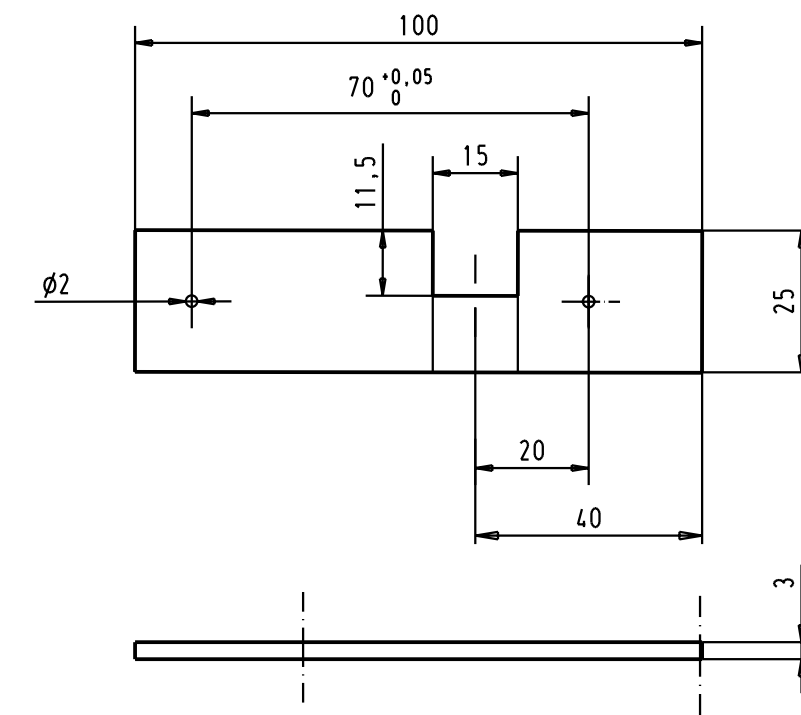
PART 1 : Base plate for D-Sub IDC



PART 2 : Support for D-Sub IDC

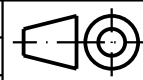



PART 3 : Cable guide (left) for D-Sub



PART 4 : Cable guide (right) for D-Sub

Alle Rechte vorbehalten. All rights reserved

			Det.	Name	 All Dim. in mm Orig. Size DIN A 3	Tool for D-Sub IDC	Maßstab/ Scale 0,75 : 1	
			Detail.	25-APR-02				CV
			Insp.					
			Stand.					
29778	25-APR-02	CV	HARTING EURL F-95972 Paris			TB 09990000135	Blatt/ Page 1 / 1	
Mod.	Det.	Name						