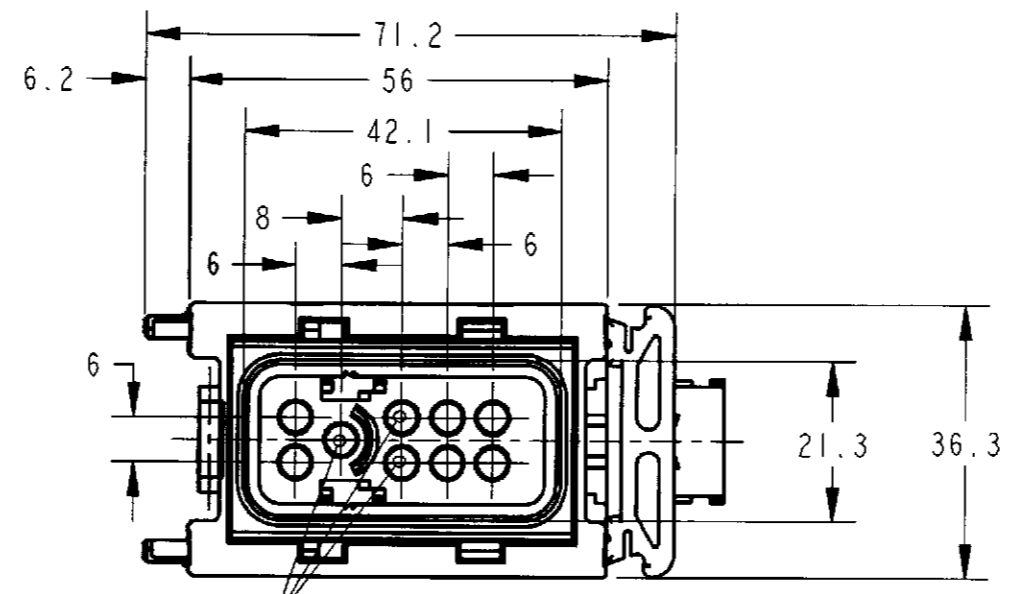
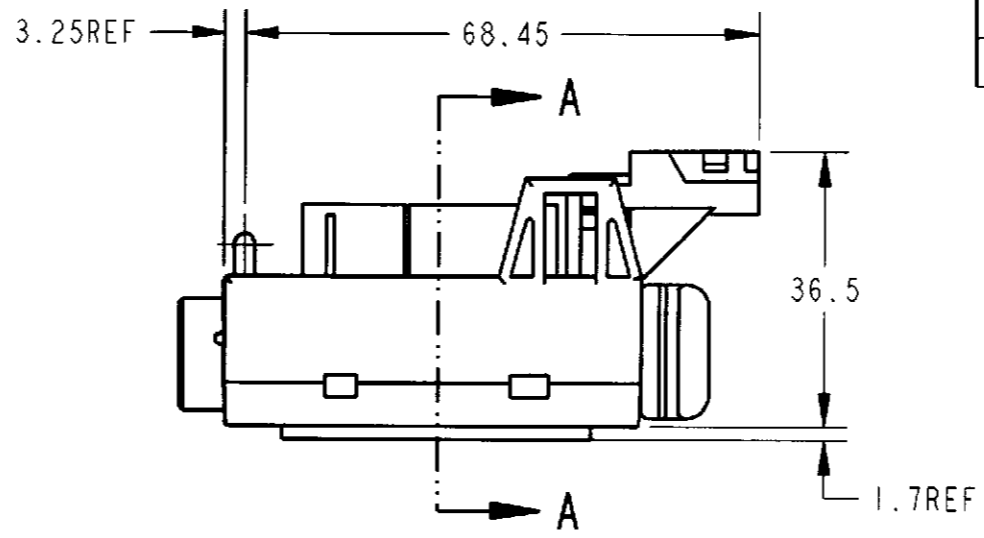
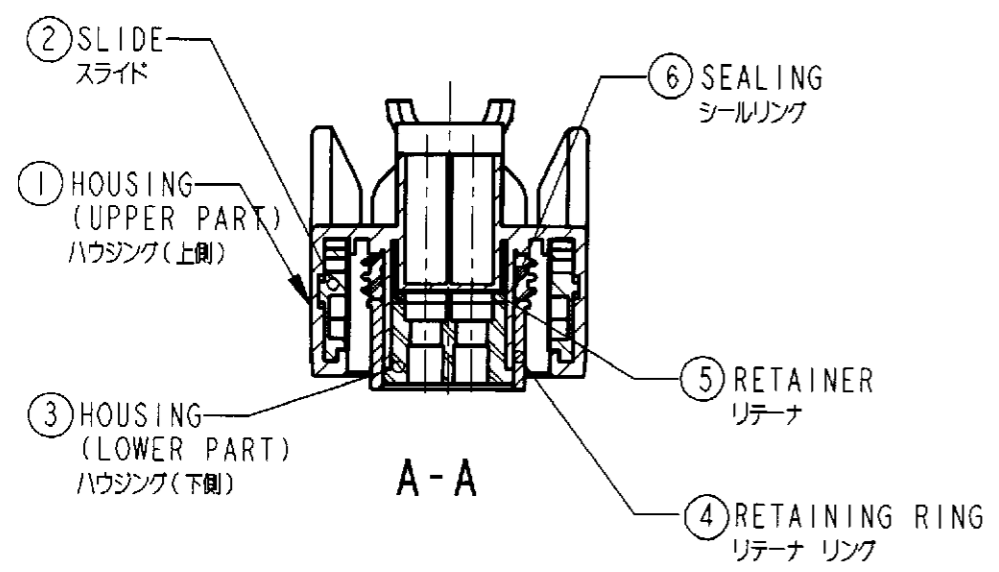


THIS DRAWING IS UNPUBLISHED. RELEASED FOR PUBLICATION .19
 © COPYRIGHT 19 BY AMP INCORPORATED. ALL RIGHTS RESERVED.

LOC	DIST	REVISIONS						
		P	LTR	DESCRIPTION	ECN	DATE	DWN	APVD
J	-	0		RELEASED	FJ00-2016-98	21Oct98	K.S	M.T



CAVITY CLOSED
穴埋め回路

-2: AS SHOWN
-2: 本図

- 1. APPLIED CONTACTS: 929974-3
929975-3
- 2. APPLIED WIRE COVER: 1123005-2
- 3. INSTRUCTION SHEET: 411-5876

- 1. 適用端子型番: 929974-3
929975-3
- 2. 適用ワイヤカバー: 1123005-2
- 3. 取扱説明書: 411-5876

QTY	MATERIAL	NAME	COLOR	ITEM NO
数量	材料	名称	色	順番
1	SILICON RUBBER	SEALING シールリング	YELLOW 黄	6
1	PA66	RETAINER リテーナ	RED 赤	5
1	PA66	RETAINING RING リテーナ リング	BLACK 黒	4
1	PA66	HOUSING (LOWER PART) ハウジング(下側)	BLACK 黒	3
1	PBT	SLIDE スライド	GRAY 灰	2
1	PBT	HOUSING (UPPER PART) ハウジング(上側)	BLACK 黒	1

THIS DRAWING IS A CONTROLLED DOCUMENT FOR AMP INCORPORATED. IT IS SUBJECT TO CHANGE AND THE CONTROLLING ENGINEERING ORGANIZATION SHOULD BE CONTACTED FOR THE LATEST REVISION.

DIMENSIONS: 単位: 距 mm	TOLERANCES UNLESS OTHERWISE SPECIFIED: 一般公差 = ± 0.5
0 PLC ±	1 PLC ±0.1
2 PLC ±0.01	3 PLC ±0.001
4 PLC ±0.0001	ANGLES ±
MATERIAL 材料	FINISH 仕上
SEE TABLE 表参照	- //

DWN K. SAKAMAKI	21Oct98
CHK //	-
APVD M. TSUKAKOSHI	21OCT98
PRODUCT SPEC 製品規格	108-5632
APPLICATION SPEC 取付適用規格	114-18020
WEIGHT	37.7g
CUSTOMER DRAWING	

WIRE RANGE 適合電線新番種	SEE TABLE	INSULATION DIA 被覆外径	SEE TABLE
AMP		AMP (JAPAN), LTD. Kawasaki, Japan	
NAME 名称 2.5φ CONTACT 9POS SOCKET HOUSING ASSY			
SIZE	CAGE CODE 番号	DRAWING NO	
A3	00779	C=1123006	
SCALE 尺度	SHEET	OF	REV
1:1			0