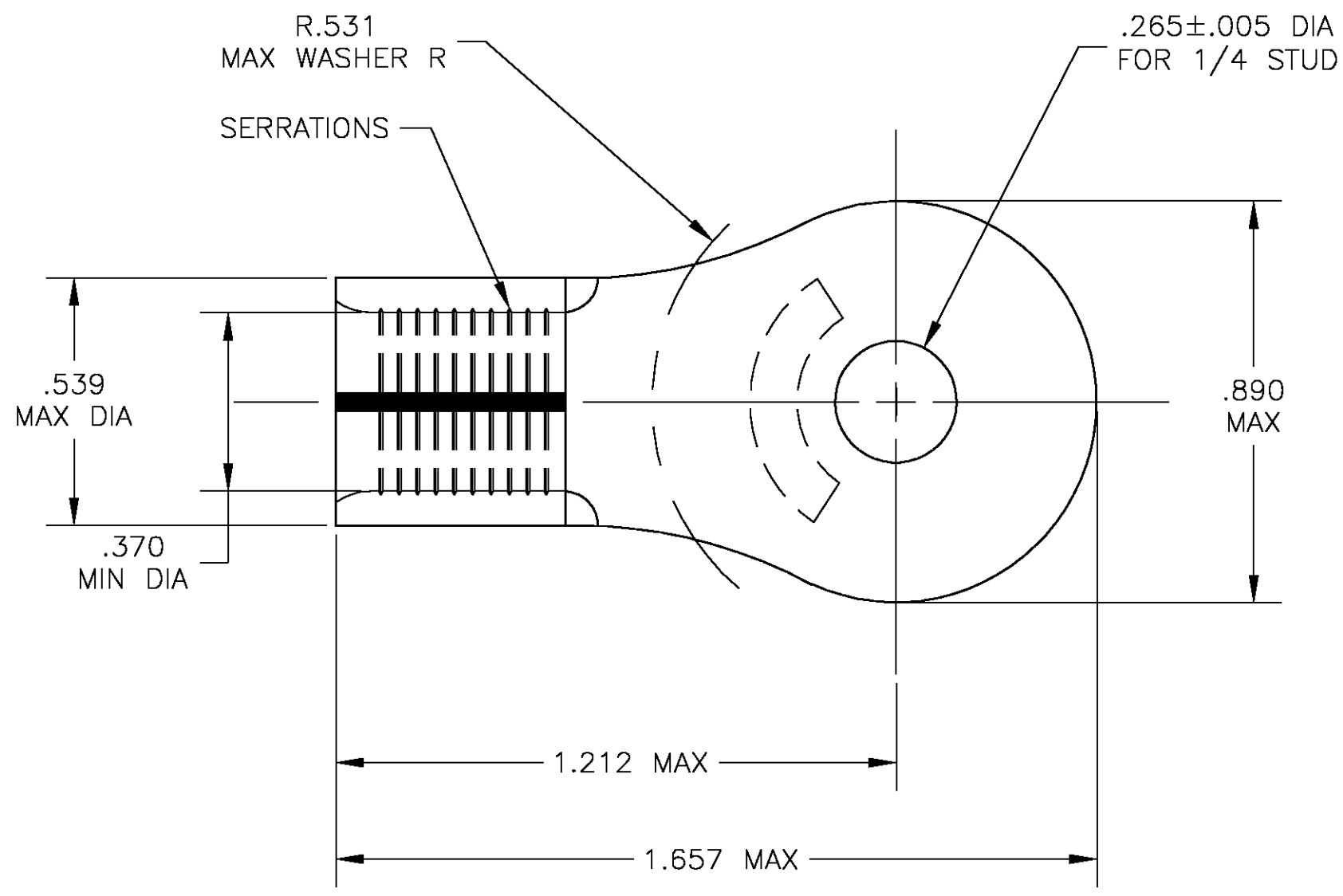


THIS DRAWING IS UNPUBLISHED. RELEASED FOR PUBLICATION  
 © COPYRIGHT BY TYCO ELECTRONICS CORPORATION. ALL RIGHTS RESERVED.

LOC	DIST	REVISIONS			
P	LTR	DESCRIPTION	DATE	DWN	APVD
G	14	F	REDRAWN PER 0G3A-0383-04	25MAY04	JR MS

- 1 TONGUE MATERIAL THK IS .070±.003
- △2 COPPER PER ASTM B152
- △3 TIN PLATE PER ASTM B545, ANNEALED



QTY	DESCRIPTION	PART NO
1	WIRE TERMINAL	320138-0

DWN jr_ruth 25MAY04		Tyco Electronics Corporation Harrisburg, PA 17105	
CHK MJ SPICER 25MAY04			
APVD MJ SPICER 25MAY04			
PRODUCT SPEC		NAME	
APPLICATION SPEC		WIRE TERMINAL SOLISTRAND - RING TONGUE WIRE SIZE: #2	
SIZE	CAGE CODE	DRAWING NO	RESTRICTED TO
A3	00779	C-320138	-
CUSTOMER DRAWING		SCALE 3:1	SHEET 1 OF 1 REV F

THIS DRAWING IS A CONTROLLED DOCUMENT.	
DIMENSIONS: INCHES	TOLERANCES UNLESS OTHERWISE SPECIFIED:
	0 PLC ± -
	1 PLC ± -
	2 PLC ± -
	3 PLC ± .008
	4 PLC ± -
	ANGLES ± 5'
MATERIAL - △2	FINISH - △3