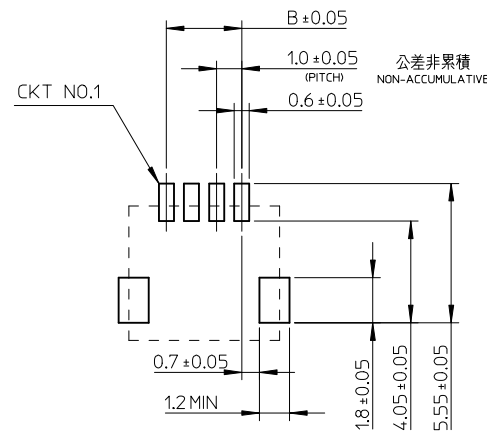
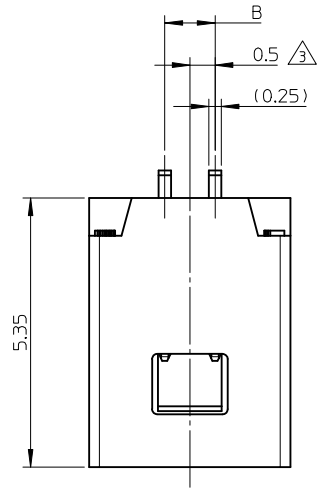
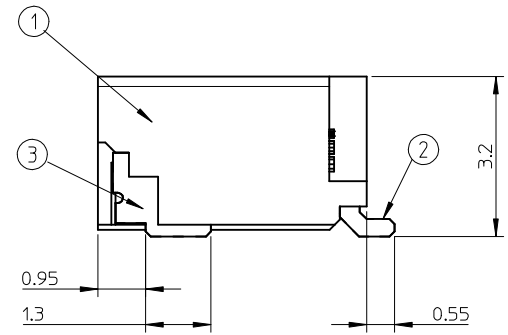
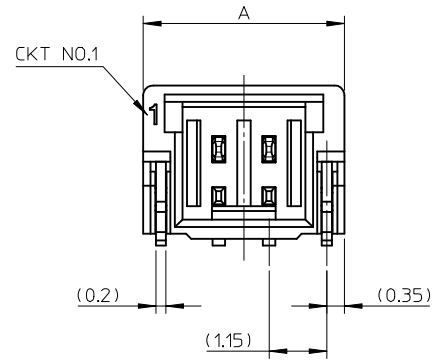


10 9 8 7 6 5 4 3 2 1



参考パターンレイアウト
RECOMMENDED PATTERN DIM.(REF)
SCALE:5-1



番号 NO.	部品 PART	材質 MATERIAL
①	ウェハー WAFER	耐熱ナイロン、UL94V-0、色：自然色 HEAT RESISTANCE NYLON, UL94V-0, COLOR:NATURAL
②	ソルダーピン SOLDER PIN	りん青銅 PHOSPHOR BRONZE すずメッキ : 1 MICRO METER MINIMUM. TIN PLATING ニッケル下地メッキ : 1 MICRO METER MINIMUM. NICKEL UNDER PLATING
③	ネイル NAIL	黄銅 BRASS すずメッキ : 1 MICRO METER MINIMUM. TIN PLATING ニッケル下地メッキ : 1 MICRO METER MINIMUM. NICKEL UNDER PLATING

4.0	7.0	501568-0507	5	501568-**07
3.0	6.0	501568-0407	4	
2.0	5.0	501568-0307	3	
1.0	4.0	501568-0207	2	
B	A	MATERIAL NO.	CKT	MODEL NO.

NOTES

1. かん合相手 : 501330-****
MATE WITH : 501330-****
2. ソルダーピン及びネイルの平坦度は0.1MAX.
SOLDER PIN AND NAIL COPLANARITY TO BE 0.1MAX.
3. 種数 = 偶数に適用
APPLY FOR CKT SIZE=EVEN
4. 6~15種は、SD-501568-002を参照下さい。
REFER TO SD-501568-002 ABOUT 6-15CKT.

REVISED EC NO: J2014-1558 DRW:NRHORI 2014/04/15 CHKD:KASAKAWA 2014/04/15 APPR:NUKITA 2014/04/16	DESCRIPTION	GENERAL TOLERANCES (UNLESS SPECIFIED)		DIMENSION STYLE MM ONLY		SCALE 10:1	DESIGN UNITS METRIC	THIRD ANGLE PROJECTION	
		10 UNDER	±0.2	DRAWN BY AMIZUMURA	DATE 2005/01/19	TITLE 1.0 WIRE TO BOARD CONN. 1-ROW R/A WAFER ASSY 2-5CKT -LEAD FREE-			
		10 OVER 30 UNDER	±0.25	CHECKED BY MYAGI	DATE 2005/01/19				
		30 OVER	±0.3	APPROVED BY ANODA	DATE 2005/01/19				
REV		ANGULAR ±3 °	DRAFT WHERE APPLICABLE MUST REMAIN WITHIN DIMENSIONS	MATERIAL NO. SEE TABLE		DOCUMENT NO. SD-501568-001	SHEET NO. 1 OF 2		

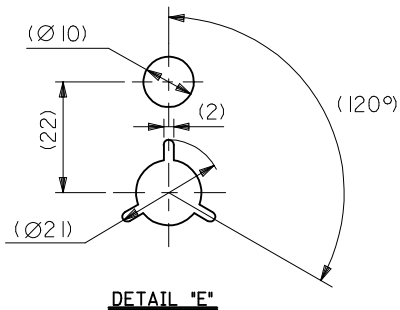
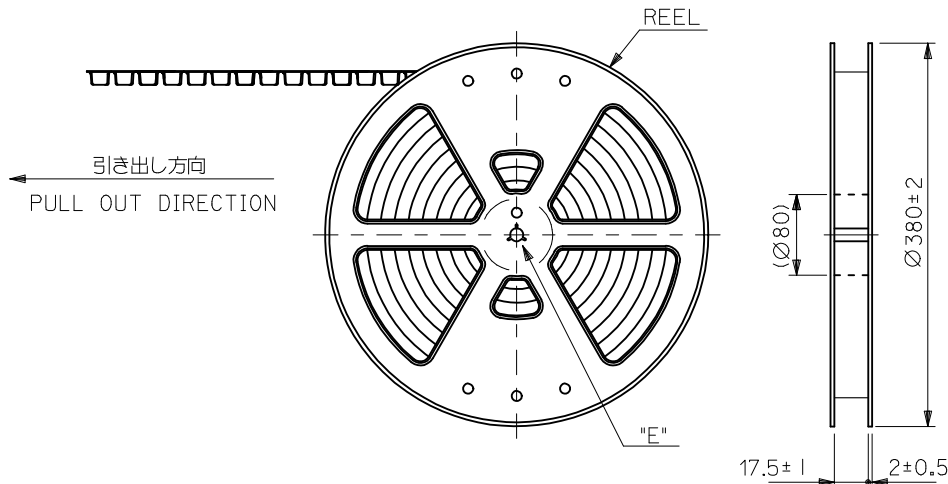
SIZE A3 THIS DRAWING CONTAINS INFORMATION THAT IS PROPRIETARY TO MOLEX INCORPORATED AND SHOULD NOT BE USED WITHOUT WRITTEN PERMISSION

9 8 7 6 5 4 3 2

紫 VIOLET	橙 ORANGE	茶 BROWN	緑 GREEN	青 BLUE	黄 YELLOW	赤 RED	色 COLOR	
501568-0597	501568-0587	501568-0577	501568-0567	501568-0547	501568-0537	501568-0527	5	501568-***7
501568-0497	501568-0487	501568-0477	501568-0467	501568-0447	501568-0437	501568-0427	4	
501568-0397	501568-0387	501568-0377	501568-0367	501568-0347	501568-0337	501568-0327	3	
501568-0297	501568-0287	501568-0277	501568-0267	501568-0247	501568-0237	501568-0227	2	
PLASTIG BAG PACKAGE オ-ダ-番号 ORDER NO.	PLASTIG BAG PACKAGE オ-ダ-番号 ORDER NO.	PLASTIG BAG PACKAGE オ-ダ-番号 ORDER NO.	PLASTIG BAG PACKAGE オ-ダ-番号 ORDER NO.	PLASTIG BAG PACKAGE オ-ダ-番号 ORDER NO.	PLASTIG BAG PACKAGE オ-ダ-番号 ORDER NO.	PLASTIG BAG PACKAGE オ-ダ-番号 ORDER NO.	CKT.	CONNECTOR SERIES NO.

白 WHITE		色 COLOR	
501568-0507	5	501568-**07	CONNECTOR SERIES NO.
501568-0407	4		
501568-0307	3		
501568-0207	2		
PLASTIG BAG PACKAGE オ-ダ-番号 ORDER NO.	CKT.	CONNECTOR SERIES NO.	

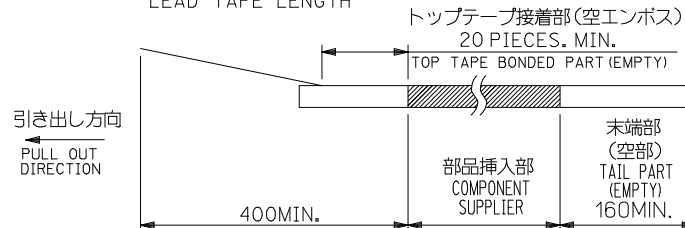
REVISED EC NO: J2014-1558 DRWNR:HORI 2014/04/15 CHKD:KASAKAWA 2014/04/15 APPR:NUKITA 2014/04/16	GENERAL TOLERANCES (UNLESS SPECIFIED)		DIMENSION STYLE MM ONLY		SCALE 5:1	DESIGN UNITS METRIC	THIRD ANGLE PROJECTION	
	10 UNDER	±0.2	DRAWN BY AMIZUMURA	DATE 2005/01/19	TITLE 1.0 WIRE TO BOARD CONN. 1-ROW R/A WAFER ASSY 2-5CKT -LEAD FREE- molex			
	10 OVER 30 UNDER	±0.25	CHECKED BY MYAGI	DATE 2005/01/19				
	30 OVER	±0.3	APPROVED BY ANODA	DATE 2005/01/19				
	ANGULAR ±3 °		MATERIAL NO. SEE TABLE		DOCUMENT NO. SD-501568-001		SHEET NO. 2 OF 2	
DRAFT WHERE APPLICABLE MUST REMAIN WITHIN DIMENSIONS		THIS DRAWING CONTAINS INFORMATION THAT IS PROPRIETARY TO MOLEX INCORPORATED AND SHOULD NOT BE USED WITHOUT WRITTEN PERMISSION						



NOTES

- 製品詳細寸法は製品単体図面を参照して下さい。
FOR DETAIL OF CONNECTOR DIMENSIONS, PLEASE SEE THE DRAWING OF CONNECTOR ITSELF (NOT PACKAGED).
- 梱包数量：1700個/リール
NUMBER OF CONNECTORS：1700PIECES/REEL

- リードテープ長さ
LEAD TAPE LENGTH



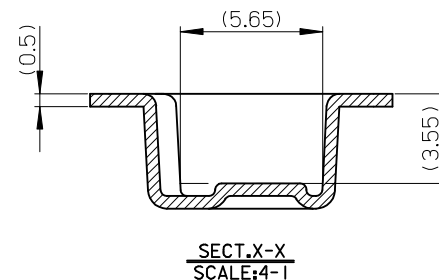
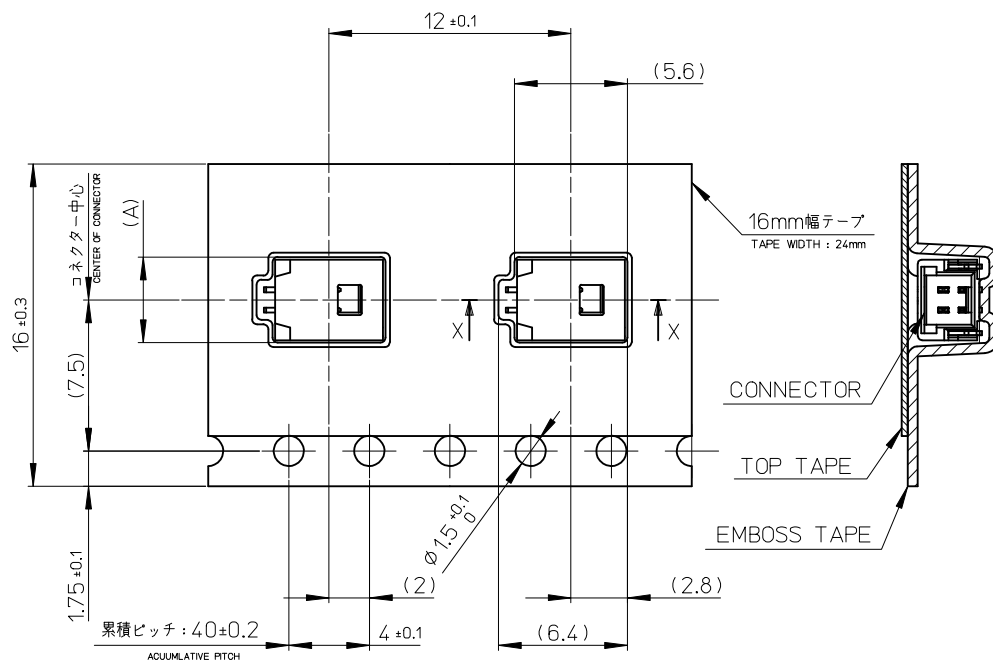
- 材料

MATERIAL
 キャリアテープ：ポリプロピレン
 CARRIER TAPE：POLYPROPYLENE
 トップテープ：PET、PE、REF
 TOP TAPE
 リール：ポリスチレン<リサイクル材を含む>
 REEL：POLYSTYRENE <RECYCLE MATERIAL CONTAINED>

- ELV及びRoHS適合品。
ELV AND RoHS COMPLIANT.

- 本製品は乾燥剤入り、ハイバリア梱包仕様である。
(501568-0607~1507以外)
THIS PRODUCT IS HIGH BARRIER PACKAGE WITH DESICCANT.
(BESIDES 501568-0607~1507)

REVISED EC NO: J2014-1558 DRWNR:HORI CHKD: APPR:NUKITA REV	DESCRIPTION 2014/04/15 2014/04/16	GENERAL TOLERANCES (UNLESS SPECIFIED)		DIMENSION STYLE MM ONLY		SCALE ---	DESIGN UNITS METRIC	THIRD ANGLE PROJECTION		
		10 UNDER	±0.2	DRAWN BY AMIZUMURA	DATE 2005/1/26	TITLE 1.0 WIRE TO BOARD CONN. WAFER ASS'Y (1-ROW R/A) EMBTB PKG molex				
		10 OVER 30 UNDER	±0.25	CHECKED BY MYAGI	DATE 2005/1/26					
		30 OVER	±0.3	APPROVED BY ANODA	DATE 2005/1/26					
ANGULAR ±1 °		DRAFT WHERE APPLICABLE MUST REMAIN WITHIN DIMENSIONS		MATERIAL NO. SEE SHEET 2,3	DOCUMENT NO. SD-501568-005	SHEET NO. 1 OF 3				
SIZE A3 THIS DRAWING CONTAINS INFORMATION THAT IS PROPRIETARY TO MOLEX INCORPORATED AND SHOULD NOT BE USED WITHOUT WRITTEN PERMISSION										



引き出し方向
PULL OUT DIRECTION

7.3	501568-0507	5
6.3	501568-0407	4
5.3	501568-0307	3
4.3	501568-0207	2
(A)	MATERIAL NO.	CKTS.

REVISED EC NO: J2014-1558 DRW:RHORI CHKD: APPR:NUKITA	DESCRIPTION 2014/04/15 2014/04/16	GENERAL TOLERANCES (UNLESS SPECIFIED)		DIMENSION STYLE MM ONLY		SCALE ---	DESIGN UNITS METRIC	THIRD ANGLE PROJECTION		
		10 UNDER	±0.2	DRAWN BY AMIZUMURA	DATE 2005/11/26	TITLE 1.0 WIRE TO BOARD CONN. WAFER ASS'Y (1-ROW R/A) EMBTP PKG				
		10 OVER 30 UNDER	±0.25	CHECKED BY MYAGI	DATE 2005/11/26					
		30 OVER	±0.3	APPROVED BY ANODA	DATE 2005/11/26					
ANGULAR ±3 °		DRAFT WHERE APPLICABLE MUST REMAIN WITHIN DIMENSIONS		MATERIAL NO. SEE CHART		DOCUMENT NO. SD-501568-005		SHEET NO. 2 OF 3		
SIZE A3				THIS DRAWING CONTAINS INFORMATION THAT IS PROPRIETARY TO MOLEX INCORPORATED AND SHOULD NOT BE USED WITHOUT WRITTEN PERMISSION						

紫 VIOLET	橙 ORANGE	茶 BROWN	緑 GREEN	青 BLUE	黄 YELLOW	赤 RED	色 COLOR	
501568-0597	501568-0587	501568-0577	501568-0567	501568-0547	501568-0537	501568-0527	5	501568-***7
501568-0497	501568-0487	501568-0477	501568-0467	501568-0447	501568-0437	501568-0427	4	
501568-0397	501568-0387	501568-0377	501568-0367	501568-0347	501568-0337	501568-0327	3	
501568-0297	501568-0287	501568-0277	501568-0267	501568-0247	501568-0237	501568-0227	2	
PLASTIG BAG PACKAGE オ-ダ-番号 ORDER NO.	PLASTIG BAG PACKAGE オ-ダ-番号 ORDER NO.	PLASTIG BAG PACKAGE オ-ダ-番号 ORDER NO.	PLASTIG BAG PACKAGE オ-ダ-番号 ORDER NO.	PLASTIG BAG PACKAGE オ-ダ-番号 ORDER NO.	PLASTIG BAG PACKAGE オ-ダ-番号 ORDER NO.	PLASTIG BAG PACKAGE オ-ダ-番号 ORDER NO.	CKT.	CONNECTOR SERIES NO.

白 WHITE	色 COLOR	
501568-0507	5	501568-***07
501568-0407	4	
501568-0307	3	
501568-0207	2	
PLASTIG BAG PACKAGE オ-ダ-番号 ORDER NO.	CKT.	CONNECTOR SERIES NO.

REVISED EC NO: J2014-1558 DRW: RHORI 2014/04/15 CHKD: KASAKAWA 2014/04/15 APPR: NUKITA 2014/04/16	GENERAL TOLERANCES (UNLESS SPECIFIED)		DIMENSION STYLE MM ONLY		SCALE ---	DESIGN UNITS METRIC	THIRD ANGLE PROJECTION
	10 UNDER	±0.2	DRAWN BY RHORI		DATE 2014/04/15		TITLE 1.0 WIRE TO BOARD CONN. WAFER ASS'Y (1-ROW R/A) EMBTP PKG molex
	10 OVER 30 UNDER	±0.25	CHECKED BY KASAKAWA		DATE 2014/04/15		
	30 OVER	±0.3	APPROVED BY NUKITA		DATE 2014/04/16		
	ANGULAR ±3 °		MATERIAL NO.		DOCUMENT NO.		SHEET NO.
DRAFT WHERE APPLICABLE MUST REMAIN WITHIN DIMENSIONS		SEE CHART		SD-501568-005		3 OF 3	
		SIZE A3		THIS DRAWING CONTAINS INFORMATION THAT IS PROPRIETARY TO MOLEX INCORPORATED AND SHOULD NOT BE USED WITHOUT WRITTEN PERMISSION			