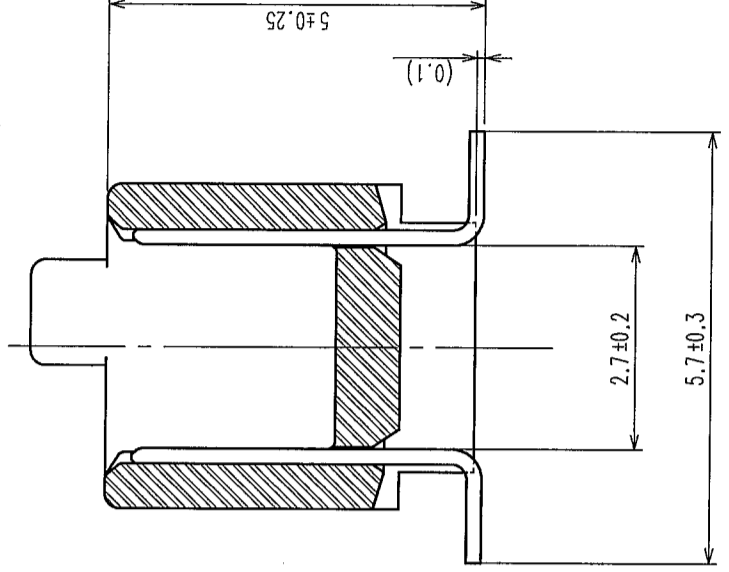
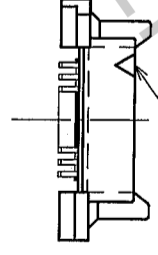
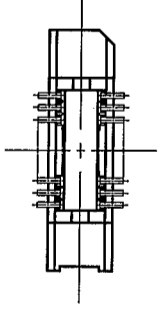
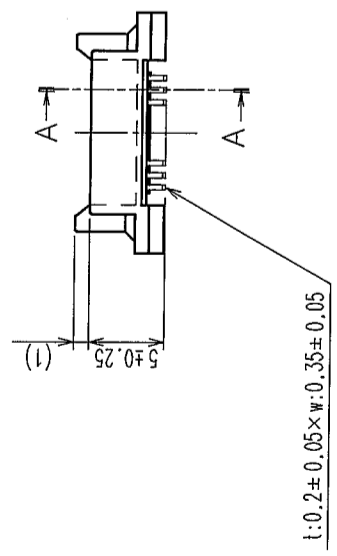
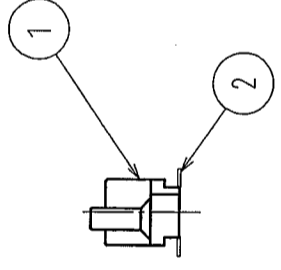


COUNT	DESCRIPTION OF REVISIONS	BY	CHKD	DATE	COUNT	DESCRIPTION OF REVISIONS	BY	CHKD	DATE
△					△				
△					△				

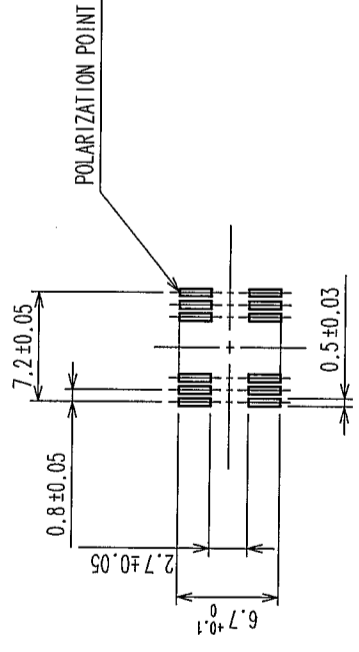
A-A (10:1)



- NOTE
- 1 HRS MARK SHALL BE OPTIONAL.
 - 2 LEAD CO-PLANARITY SHALL BE 0.1mm MAX.
 - 3 THE DIMENSIONS IN PARENTHESES ARE FOR REFERENCE.
 - 4 EMBOSSED CARRIER TAPE PACKAGING SHALL BE APPLIED FOR THIS PRODUCT.
 - 5 FOR MODIFICATION, ETC., PREVENTIVE HOLE FOR SINK MARK MAY BE ADDED ACCORDING TO CIRCUMSTANCES.



P.C.B. MOUNTING LAYOUT (TOP VIEW)

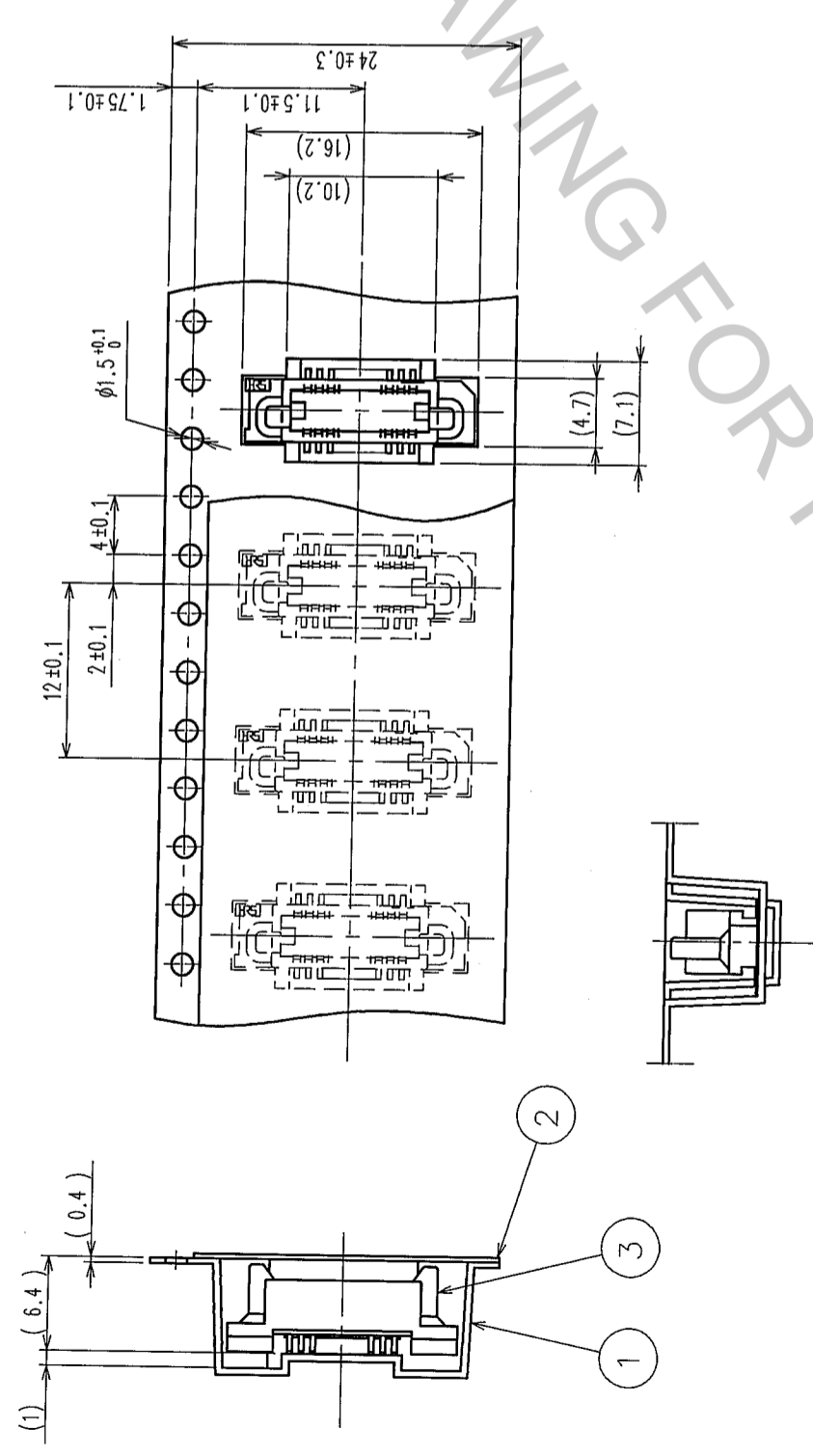


1	POLYPHENYLENE SULFIDE	LIGHT BROWN	UL-94V-0	2	PHOSPHOR BRONZE			CONTACT AREA : GOLD 0.1μm min.
NO.	MATERIAL	FINISH, REMARKS	NO.	MATERIAL	DESIGNED	CHECKED	APPROVED	RELEASED
CODE NO. (OLD)	CL		DRAWN	Y. AOYAGI	'05.09.15	J. Mada	H. Okawa	
					'05.09.26	'05.09.26	'05.09.26	
			DRAWING NO.	EDC3-071315-22		PART NO.		FX6A-20P-0.8SV1 (92)
			SCALE	2 : 1		CODE NO.		CL576-0221-0-92
			UNITS	MM		HRS		
				HIROSE ELECTRIC CO., LTD				

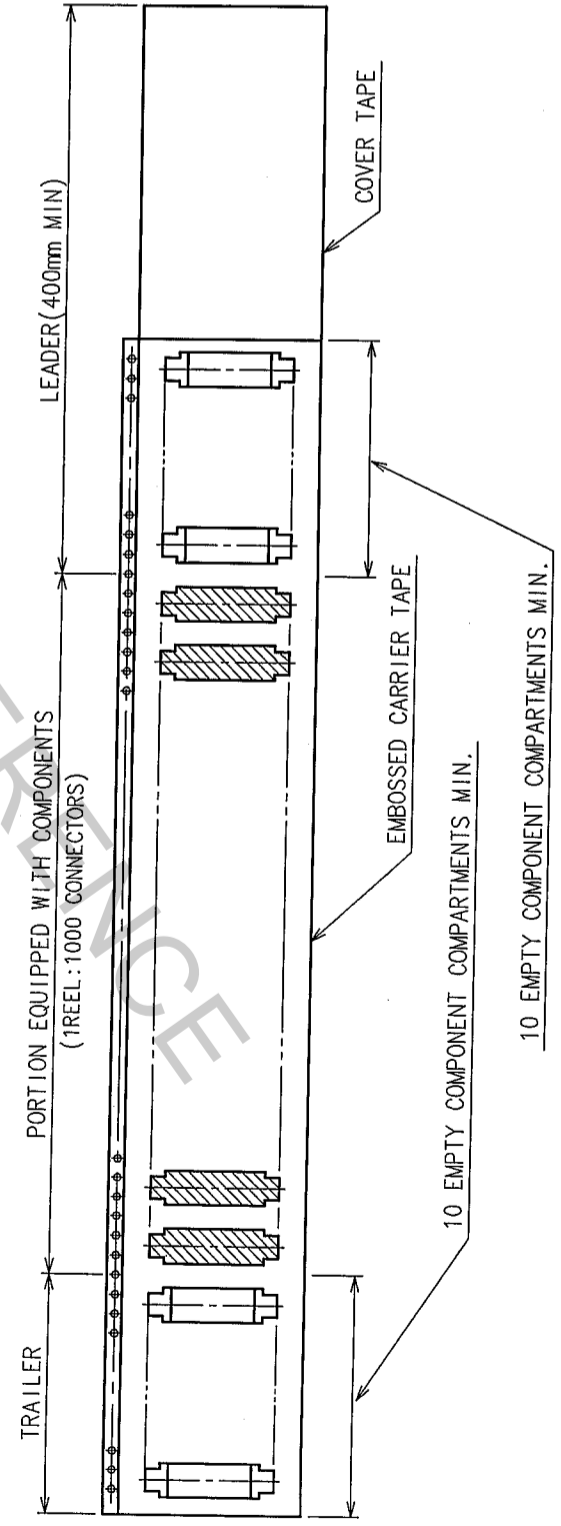
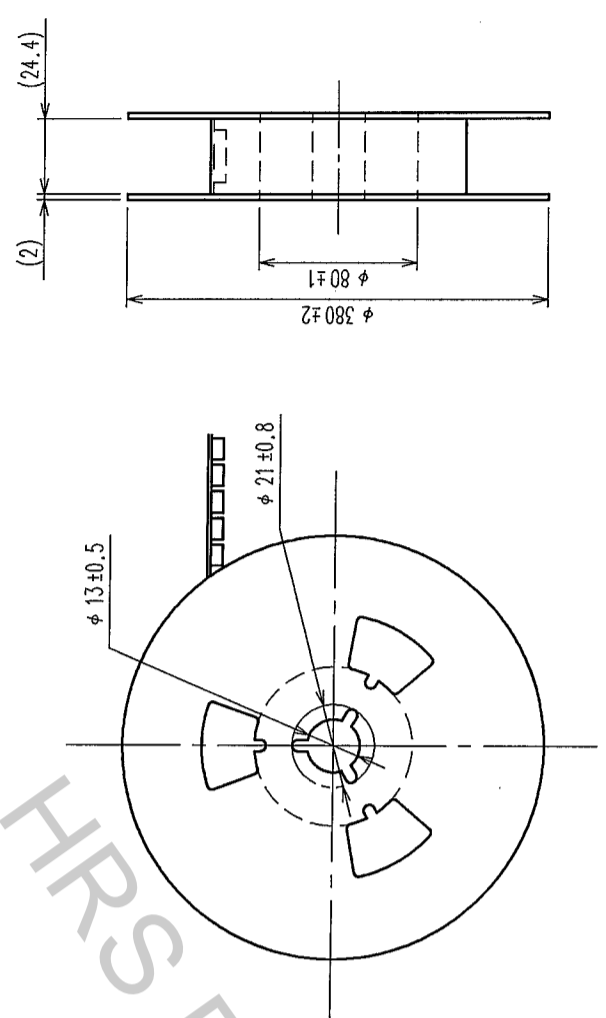
TO

COUNT	DESCRIPTION OF REVISIONS	BY	CHKD	DATE	COUNT	DESCRIPTION OF REVISIONS	BY	CHKD	DATE
△					△				
△					△				
△					△				

DIRECTION OF UNREELING



STYLE AND DIMENSION OF REEL (FREE)



NOTE 1 THE DIMENSIONS IN PARENTHESES ARE FOR REFERENCE.
2 1 REEL: 1000 CONNECTORS.

NO.	MATERIAL	FINISH, REMARKS	NO.	MATERIAL	FINISH, REMARKS
2	POLYESTER	COVER TAPE	3		(CONNECTOR)
1	POLYSTYRENE	EMBOSSED CARRIER TAPE			

CODE NO. (OLD)	CL	DRAWN	DESIGNED	CHECKED	APPROVED	RELEASED
		Y. AOYAGI	J. Noda	K. Ogawa	H. Okawa	
		'05.09.15	'05.09.26	'05.09.26	'05.09.26	

DRAWING NO.	PART NO.
EDC3-071315-22	FX6A-20P-0.8SV1(92)

SCALE	UNITS	CODE NO.
2 : 1	mm	CL576-0221-0-92

TO