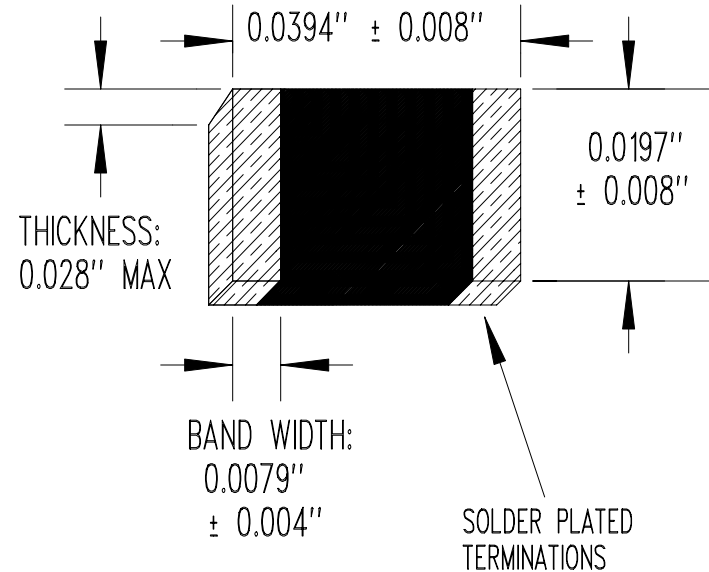


RESISTANCE/TEMPERATURE TABLE			
TEMP (°C)	RESIS (Ω)	TEMP (°C)	RESIS (Ω)
-40	19,695	45	500.9
-35	14,877	50	426.7
-30	11,356	55	365.2
-25	8,753	60	314.0
-20	6,809	65	271.1
-15	5,344	70	235.0
-10	4,228	75	204.5
-5	3,372	80	178.6
0	2,709	85	156.6
5	2,191	90	137.8
10	1,785	95	121.7
15	1,463	100	107.9
20	1,206	105	95.89
25	1,000	110	85.50
30	834.5	115	76.47
35	700.2	120	68.58
40	590.7	125	61.67



RESISTANCE @ +25°C = 1,000 Ω ± 5%
 BETA "β" (+25 TO +85°C) = 3,300°K NOMINAL
 POWER RATING = 40 mW
 OPERATING TEMPERATURE RANGE = -40 TO +125°C

SEE MANUFACTURING SPECIFICATION (LAYER 1)

NONE	RELEASE TO PRODUCTION	12/04/03	DD
REV	REVISION RECORD	DATE	APP

SCALE NONE	U.S. SENSOR CORP. 1832 W. COLLINS AVE. ORANGE, CA. 92867 714-639-1000 www.ussensor.com
DRAWN BY DAN DANKERT	
DATE 12/04/03	
REV. NONE	
LAYER 0 OF 2	
THERMISTOR, NTC CHIP	
P/N RA102E0J	