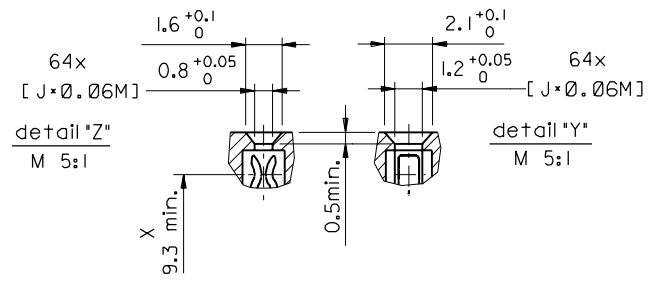
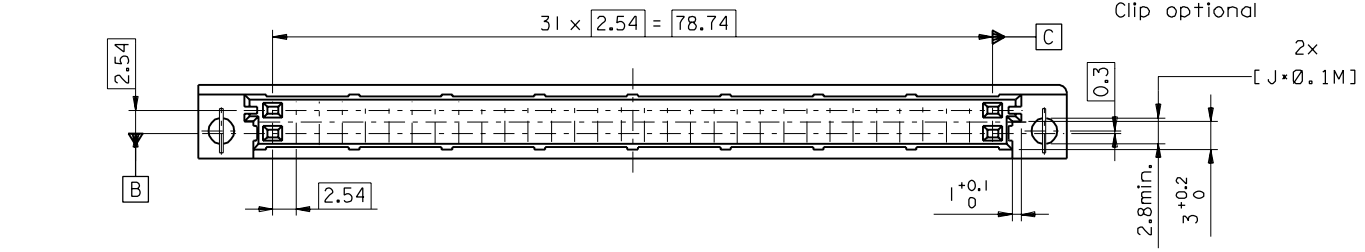
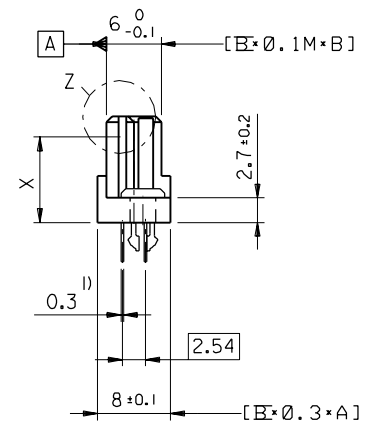
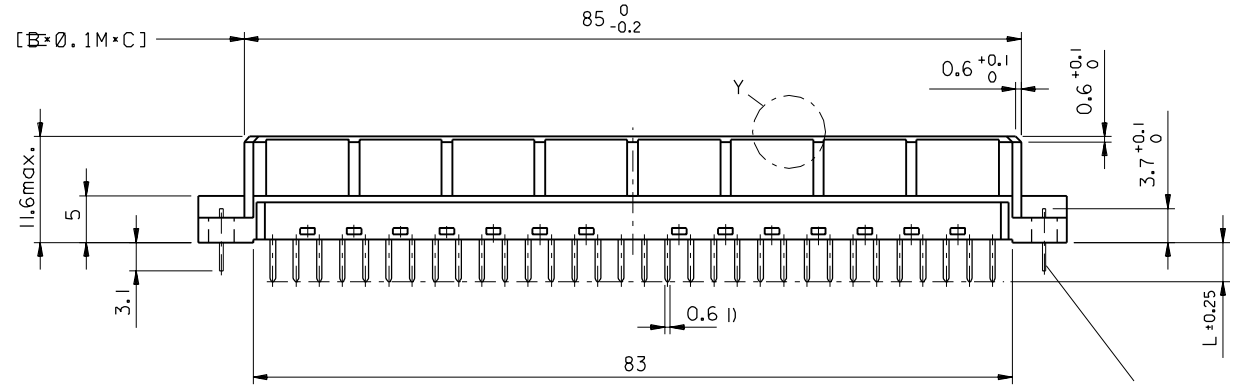


1) tails to fit in PC-board layout



ECN MG1998-2727 new fixing clip 98-04-14 Co	REVISIONS	3 PLACE ±	±
		2 PLACE ±	±
LTR	FOR PREVIOUS REVISIONS SEE MRI LIST	1 PLACE ±	±
		DRAFT WHERE APPLICABLE MUST REMAIN WITHIN DIMENSIONS	
C	IF TWO DIMENSIONS ARE SHOWN THE UPPER IS THE DESIGN DIMENSION, LOWER IS SECONDARY	DESIGN DIMENSION	<input checked="" type="checkbox"/> MM <input type="checkbox"/> IN.
		EQUIVALENT DIMENSION	<input type="checkbox"/> MM <input type="checkbox"/> IN.

FIRST ANGLE PROJECTION		REVISE ONLY ON CAD SYSTEM		SH.	REV.
UNLESS OTHERWISE SPECIFIED TOLERANCES: ANGULAR ±2°	DRWG BY KN	SIGN	CAD/CAM PROJECT NAME 85040000 611	THIS DRAWING CONTAINS INFORMATION THAT IS PROPRIETARY TO MOLEX INC. & SHOULD NOT BE USED WITHOUT WRITTEN PERMISSION	
INCH	CHK'D BY Ca	SIGN	TITLE 64 pos. Female connector DIN 41612 style B + clip Dimensions		
METRIC	APP'D BY JB	SIGN	MOLEX EUROPE		
SCALE 2:1		SHEET NO. DATE 1 OF 1 95/11/14		PART NO. DWG NO. SDA-85040-0001	
		SIZE B			

VIEW ON MATING SIDE

∞	A	A	A	A	A	A	A	A	A	A	A	A	A	A	A	A	A	A	A	A
∞	A	A	A	A	A	A	A	A	A	A	A	A	A	A	A	A	A	A	A	A

A = 32 CONTACTS L-2,9

Marking	Standard
Performance level	G2/0 = Contact area level2 / Termination tin
Flux proof	no
Fixing clip	no
Dimensions	SDA-85040-0001 sht.1
Technical Data	PS-85042-0001

A	G2/0	α2,4,6...32	b2,4,6...32
Contact symbol	Perform. level	Contact position number	

ECN 2264 Produkt spec. 96-10-18 KN	REVISIONS		FOR PREVIOUS REVISIONS SEE MRI LIST	
	LTR	Δ-1		
UNLESS OTHERWISE SPECIFIED TOLERANCES: ANGULAR ± 2° INCH METRIC		DRWG BY	SIGN	
3 PLACE ± .	±	Cc		
2 PLACE ± .	±	CHK'D BY	SIGN	
1 PLACE ± .	±	KN		
DRAFT WHERE APPLICABLE MUST REMAIN WITHIN DIMENSIONS		APP'D BY	SIGN	
DESIGN DIMENSION <input type="checkbox"/> MM <input type="checkbox"/> IN.		SCALE		
EQUIVALENT DIMENSION <input type="checkbox"/> MM <input type="checkbox"/> IN.				
IF TWO DIMENSIONS ARE SHOWN, THE UPPER IS THE DESIGN DIMENSION, LOWER IS SECONDARY				
REVISE ONLY ON CAD SYSTEM		CAD/CAM PROJECT NAME	SH. REV.	
		s8504006 s91	THIS DRAWING CONTAINS PROPRIETARY TO MOLEX INC. & SHOULD NOT BE USED WITHOUT WRITTEN PERMISSION	
TITLE		64 pos. female connector acc. DIN 41612 style B contacts arrangement		
PART NO.		MOLEX EUROPE	SHEET NO.	DATE
85040-0696			1 OF 1	96/05/15
DWG NO.		SDA-85040-0696		
SIZE		A		