

WISDOM承認 2016/03/23

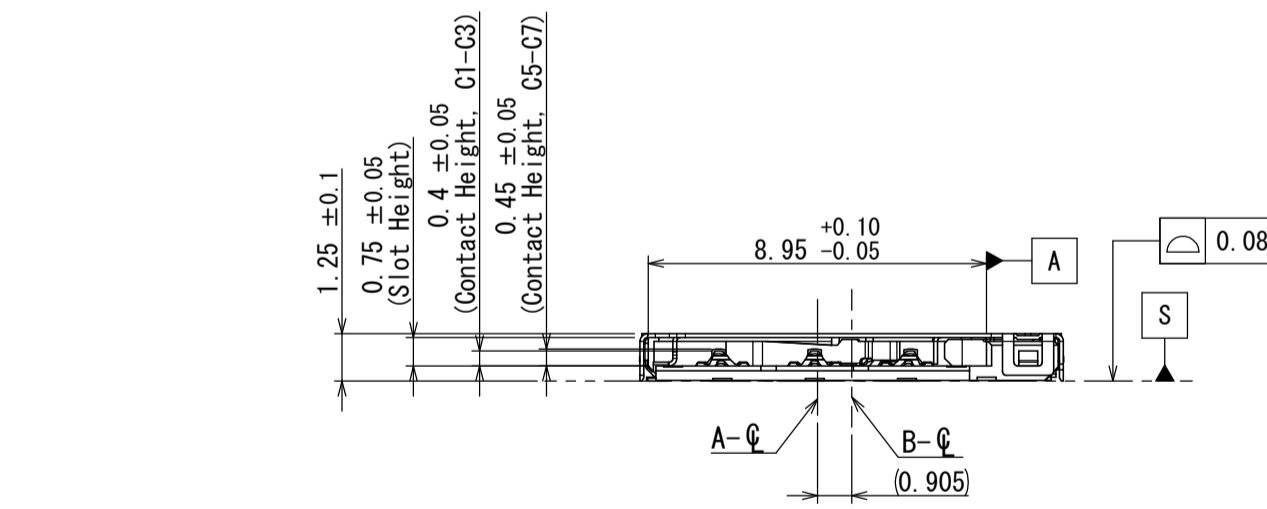
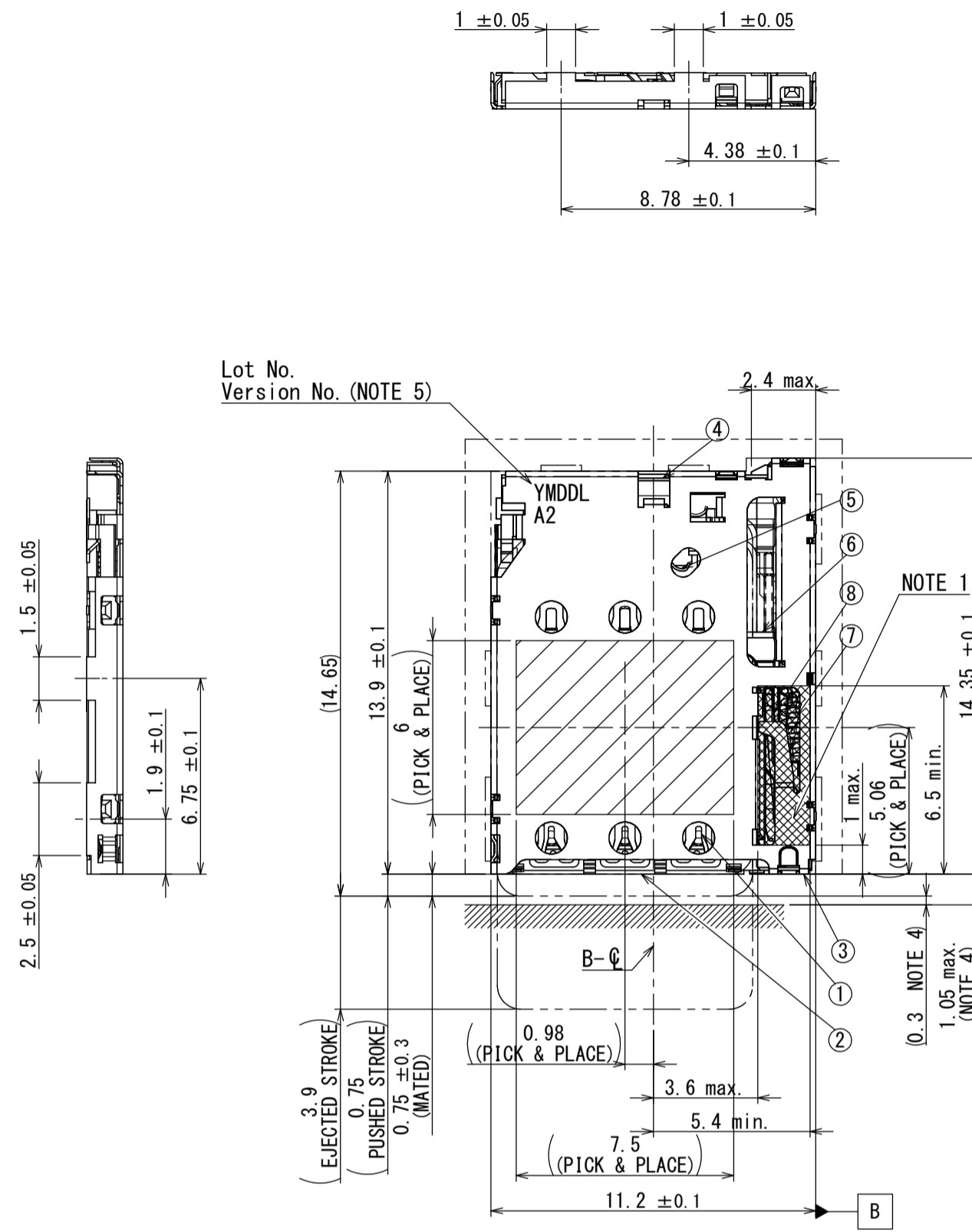


TABLE 1. FINISH

PART No.	PART NAME	BASE PLATING		TOP PLATING	
		CONTACT AREA	TERMINAL AREA	CONTACT AREA	TERMINAL AREA
①	CONTACT	Ni (2~6 μm)	Ni (1~6 μm)	Au (0.3 μm min.)	Au (0.03 μm min.)
③	COVER	-	-	-	
④	GROUND-FRAME (INCLUDES CSW)	Ni (1~6 μm)		Au (0.1 μm min.)	
⑤	DETECTION SWITCH				

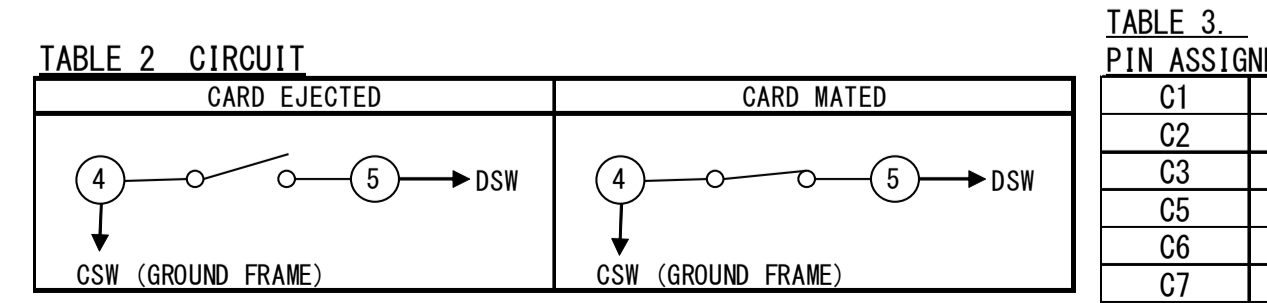
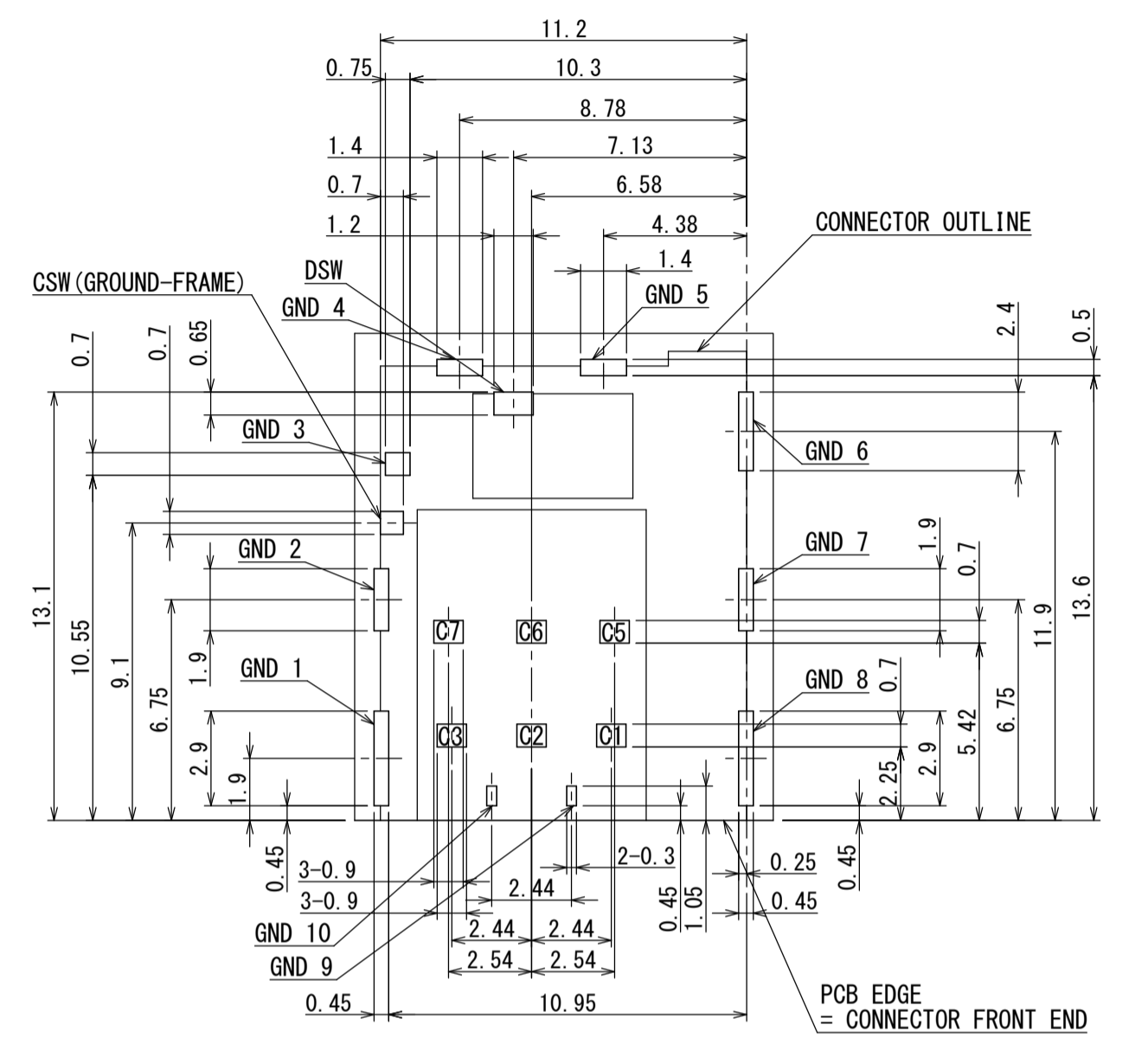
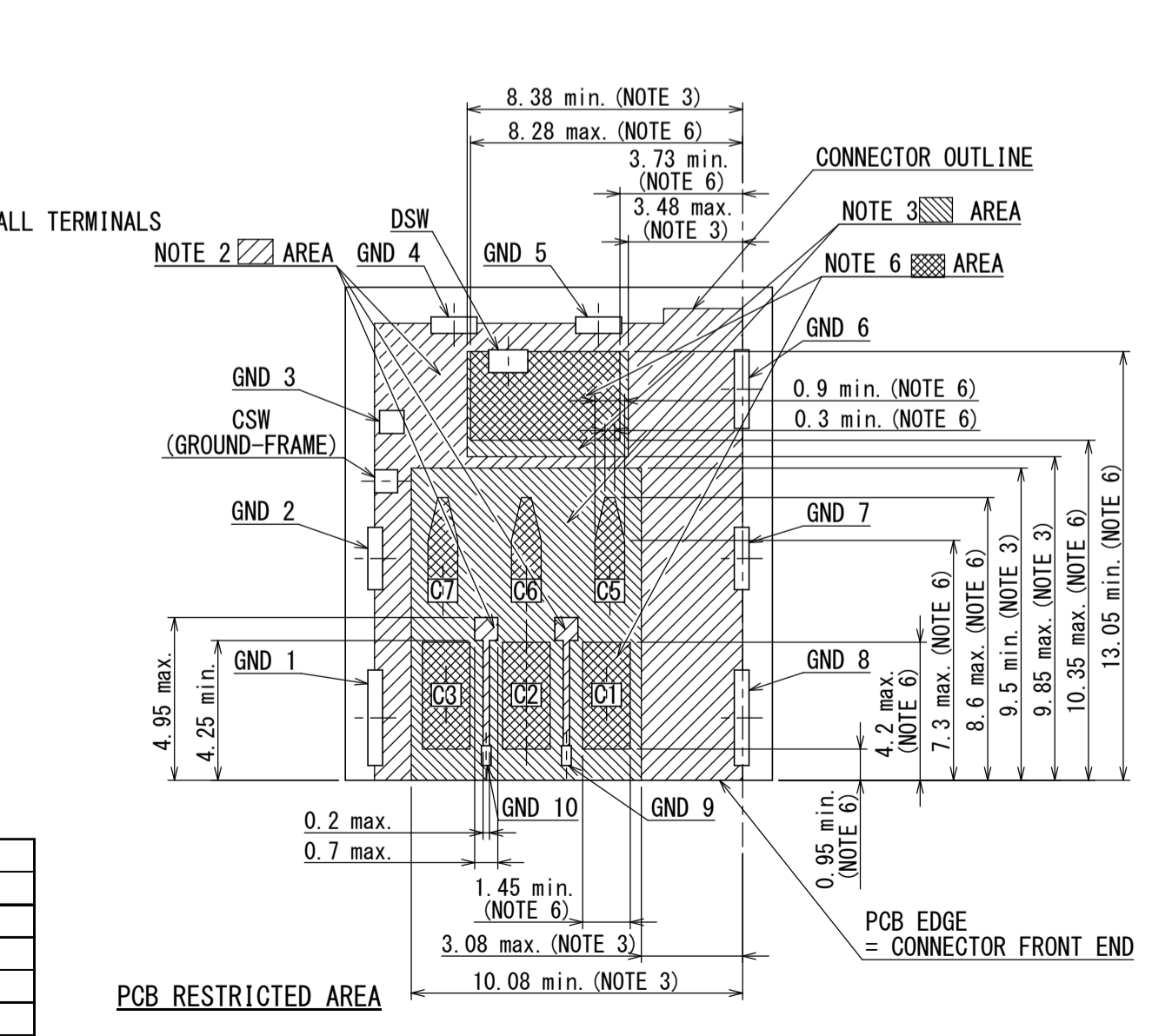
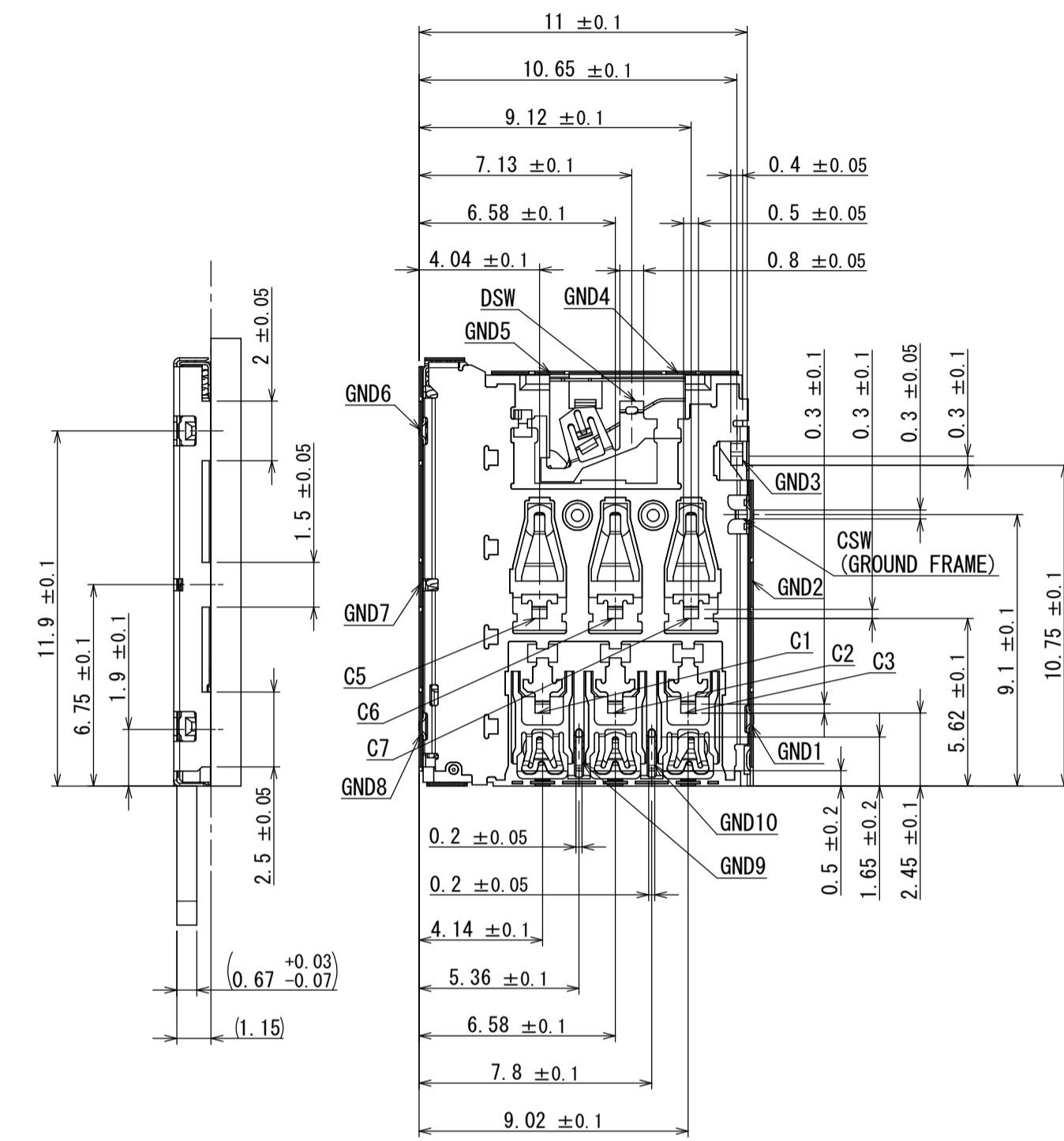


TABLE 3. PIN ASSIGNMENT

C1	Vcc
C2	RST
C3	CLK
C5	GND
C6	Vpp
C7	I/O



Applicable PCB Dimension

NOTE1. OTHER COMPONENTS CANNOT TOUCH OR REST ON TOP OF THIS AREA.
 NOTE2. ONLY GND PATTERN AND VIA HOLE ALLOWED IN THIS AREA.
 NOTE3. NO PATTERN AND VIA HOLE IN THIS AREA.
 NOTE4. CARD STOPPER POSITION.
 0.9Max (If DSW is not needed to use)
 NOTE5. LOT INFORMATION IS SHOWN AS BELOW.
 i.e. 6 2 2 0 1 A 2
 VERSION NO. (A 2)
 PRODUCTION LINE NO. (2)
 PRODUCTION DATE (YMDD) (20/01/2016)
 NOTE6. ONLY SAME LINE PATTERN AND VIA HOLE AS INCLUDED PAD ALLOWED IN THIS AREA.
 NOTE7. RECOMMENDED OPEN APERTURE RATIO OF STENCIL MASK : 100%
 NOTE8. RECOMMENDED STENCIL MASK THICKNESS : t±0.1

8	CAM FOLLOWER	1	STAINLESS STEEL		
7	SPRING	1	STAINLESS STEEL		
6	EJECT BAR	1	GLASS FILLED PA9T		
5	DETECTION SWITCH (DSW)	1	COPPER ALLOY	Au OVER Ni (TABLE 1)	
4	GROUND FRAME	1	COPPER ALLOY	Au OVER Ni (TABLE 1)	
3	COVER	1	STAINLESS STEEL	Au (TABLE 1)	
2	HOUSING	1	GLASS FILLED LCP		
1	CONTACT	6	COPPER ALLOY	Au OVER Ni (TABLE 1)	

符号 No.	名称 DESCRIPTION	個数 QTY.	材料 MATERIAL	仕上 FINISH	備考 REMARKS
JACS-11019	第1版 (ORIGINAL DATE) 20/FEB/2016				
	製図 DR.				
	担当 CHK.	T. WASAI			
	査閲 APPD.				
	承認 APPD.	M. SHIMADA			
	単位 (UNIT) : mm				
仕様書 (SPECIFICATION) JACS-11019					第1版 (ORIGINAL DATE) 20/FEB/2016
一般公差 (GENERAL TOLERANCE) 寸法 (DIMENSION): . ± 0.8 × ± 0.4 ×× ± 0.1 ××× ±					角度 (ANGLES): ° ± ' ± " ±
尺度 (SCALE) 5:1					シリーズ (SERIES) SF72
名称 (TITLE) SF72S006VBD					日本航空電子工業株式会社 JAPAN AVIATION ELECTRONICS INDUSTRY, LTD.
図面番号 (DRAWING NO.) SJ117561					版数 (VER.) 1
質量 (MASS)					備考 (REMARKS)