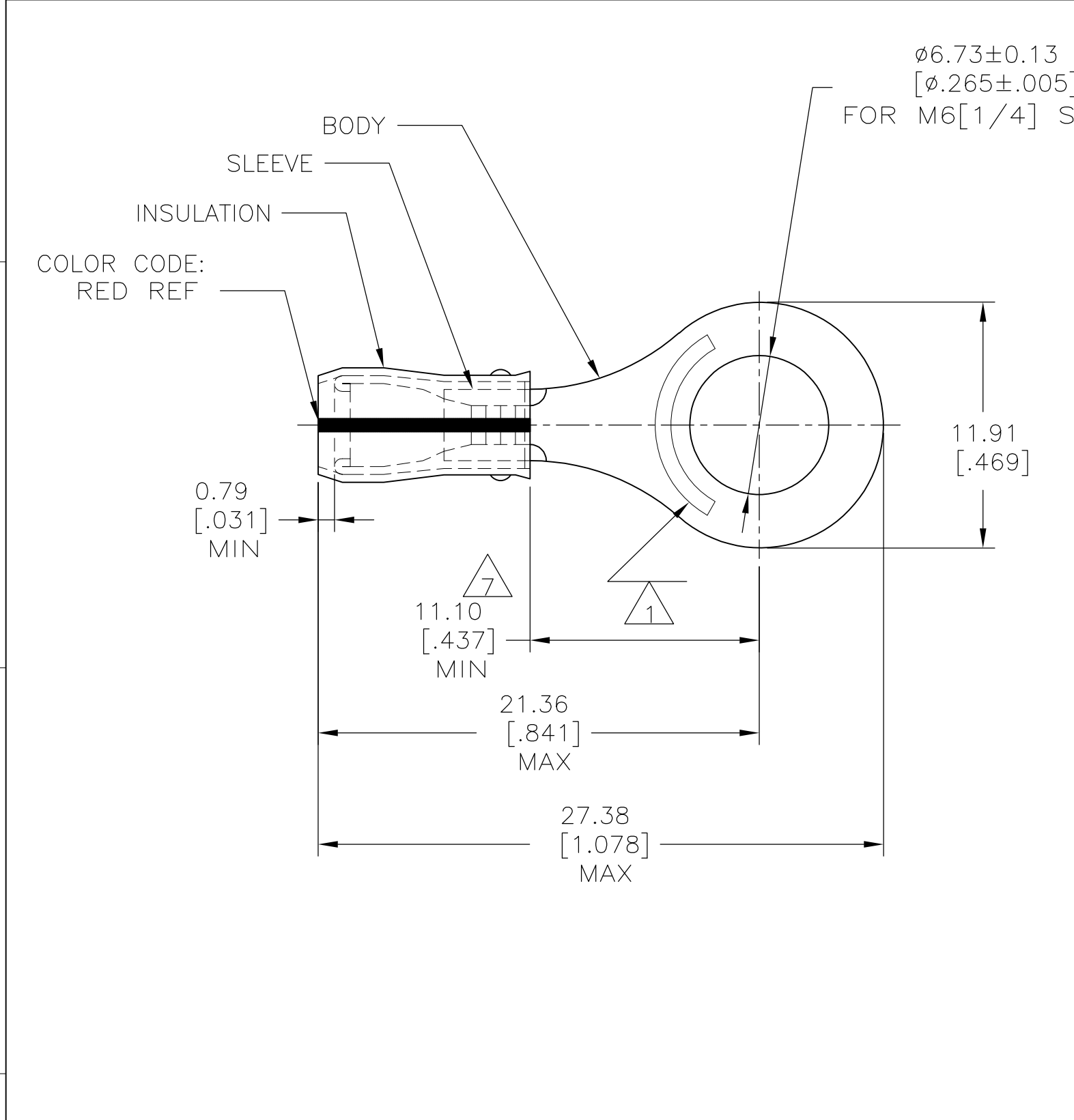


THIS DRAWING IS UNPUBLISHED. RELEASED FOR PUBLICATION  
 © COPYRIGHT - By - ALL RIGHTS RESERVED.

LOC	DIST	REVISIONS					
		P	LTR	DESCRIPTION	DATE	DWN	APVD
G	14		P2	REVISED PER ECO-12-007718	07MAY12	KH	DR



- 1 STAMP AMP 22-18\* APPROX AS SHOWN  
22-16 TERMINALS ARE STAMPED 22-18 IN ACCORDANCE WITH MILITARY SPEC SAE AS7928 COMMERCIAL WIRE RANGE IS 22-16.
- 2 WIRE INSULATION DIA: 2.03-3.18 [.080-.125]
- 3 TONGUE MATERIAL THK: 0.79±0.05 [.031±.002]
- 4 TIN/LEAD (93-7) PLATE PER ASTM B545. (3% MIN LEAD CONTENT).
- 5 GOLD PL PER ASTM B488, TYPE 2, GRADE C, OVER NICKEL PER (QQ-N-290).
- 6 MATERIAL: BODY & SLEEVE- CU PER ASTM B152 INSULATION - PVF2, COLOR - NATURAL
- 7 DIMENSION APPLIES FROM EDGE OF METAL WIRE BARREL TO CENTER OF STUD HOLE.

MILITARY P/N & CLASS	FINISH	QTY	PACKAGE TYPE	PART NO.
-	4	100	LOOSE PIECE, BOX	8-53410-1
-	5	1000	LOOSE PIECE	53410-3
M7928/4-150, CLASS 2	4	5000	ON TAPE, REEL	53410-2
M7928/4-150, CLASS 1 & 2 M7928/13-150, CLASS 1 & 2	4	1000	LOOSE PIECE	53410-1

<b>AMP INCORPORATED CUSTOMER SERVICE SYSTEMS</b>		MAX RECOMMENDED OPERATING TEMPERATURE: 150°C [302°F] MAX
FOR ADDITIONAL PRODUCT INFORMATION OR COPIES OF DRAWINGS AND TECHNICAL DOCUMENTS	PRODUCT INFORMATION CENTER 1-800-522-6752	VOLTAGE RATING: N/A
FOR APPLICATION TOOLING INFORMATION	TOOLING ASSISTANCE CENTER 1-800-722-1111	CIRCULAR MIL AREA: 0.26-1.65mm² [509-3260] STRANDED
FOR ORDER ENTRY	1-800-526-5142	THIS DRAWING IS A CONTROLLED DOCUMENT FOR AMP INCORPORATED. IT IS SUBJECT TO CHANGE AND THE CONTROLLING ENGINEERING ORGANIZATION SHOULD BE CONTACTED FOR THE LATEST REVISION.

THIS DRAWING IS A CONTROLLED DOCUMENT.	
DIMENSIONS: mm [INCHES]	TOLERANCES UNLESS OTHERWISE SPECIFIED: 0 PLC ± - 1 PLC ± - 2 PLC ± 0.20[.008] 3 PLC ± - 4 PLC ± - ANGLES ± -
MATERIAL	FINISH BODY: SEE TABLE SLEEVE: SEE NOTE 4

DWN DK SCHRUM 06/16/93	<b>STE</b> TE Connectivity			
CHK RE HERSEY 7/6/93				
APVD M ELLIS 7/6/93	NAME TERMINAL, RING TONGUE, PVF2, PIDG, WIRE SIZE: 22-16 AWG			
PRODUCT SPEC	SIZE	CAGE CODE	DRAWING NO	RESTRICTED TO
APPLICATION SPEC	NOT AVAILABLE	A300779	C-53410	-
WEIGHT	-	CUSTOMER DRAWING		SCALE 4:1
		SHEET 1 OF 1	REV P2	