

THIS DRAWING IS UNPUBLISHED.

RELEASED FOR PUBLICATION

ALL RIGHTS RESERVED.

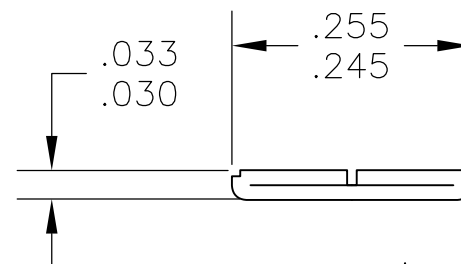
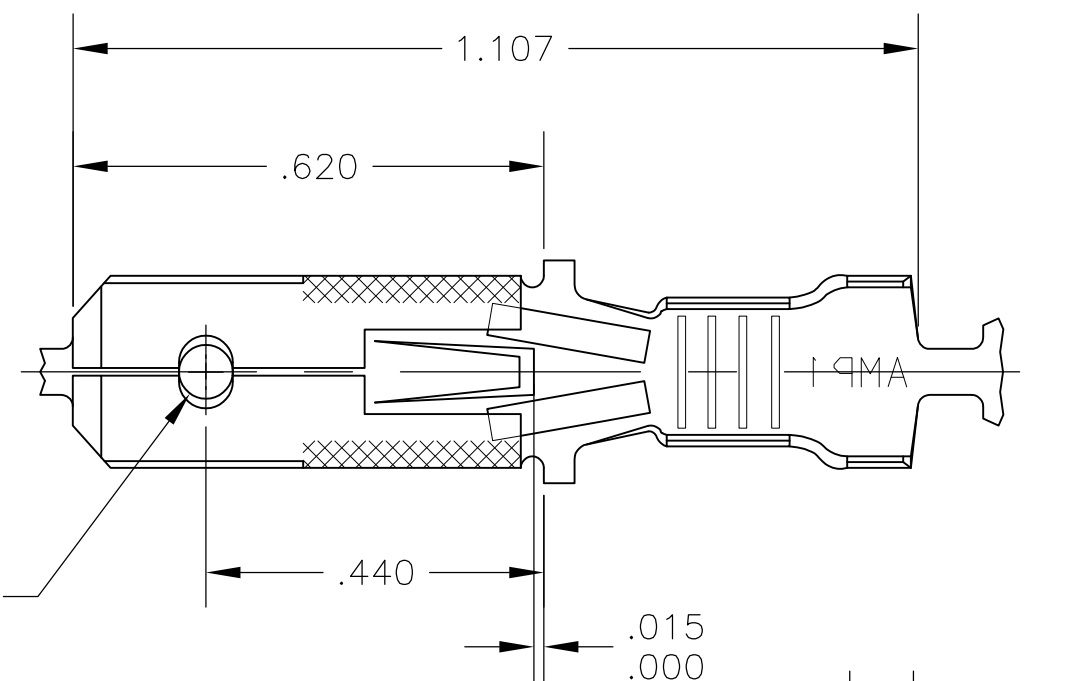
© COPYRIGHT - By -

LOC AF DIST 50

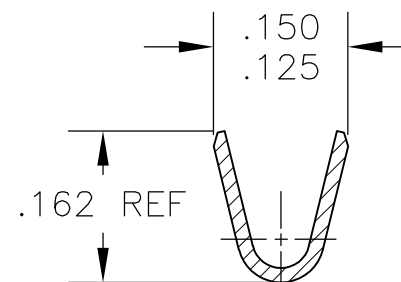
REVISIONS

P	LTR	DESCRIPTION	DATE	DWN	APVD
	AB	REVISED PER ECR-11-018063	21DEC11	KH	PD

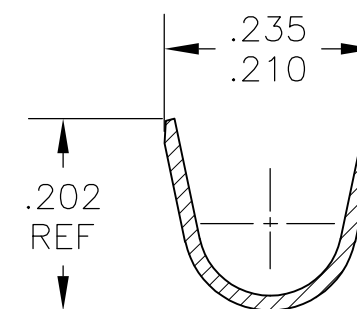
- 1 CONTINUOUS STRIP ON REELS.
- 2 WIRE SIZE IS #18-#14.
- 3 INSULATION RANGE IS .100-.170 DIA.
- 4 FOREIGN PRODUCTION ONLY.
- 5 PREPRODUCTION - FASR REQUIRED.
- 6 PRELIMINARY - NOT FOR PRODUCTION.



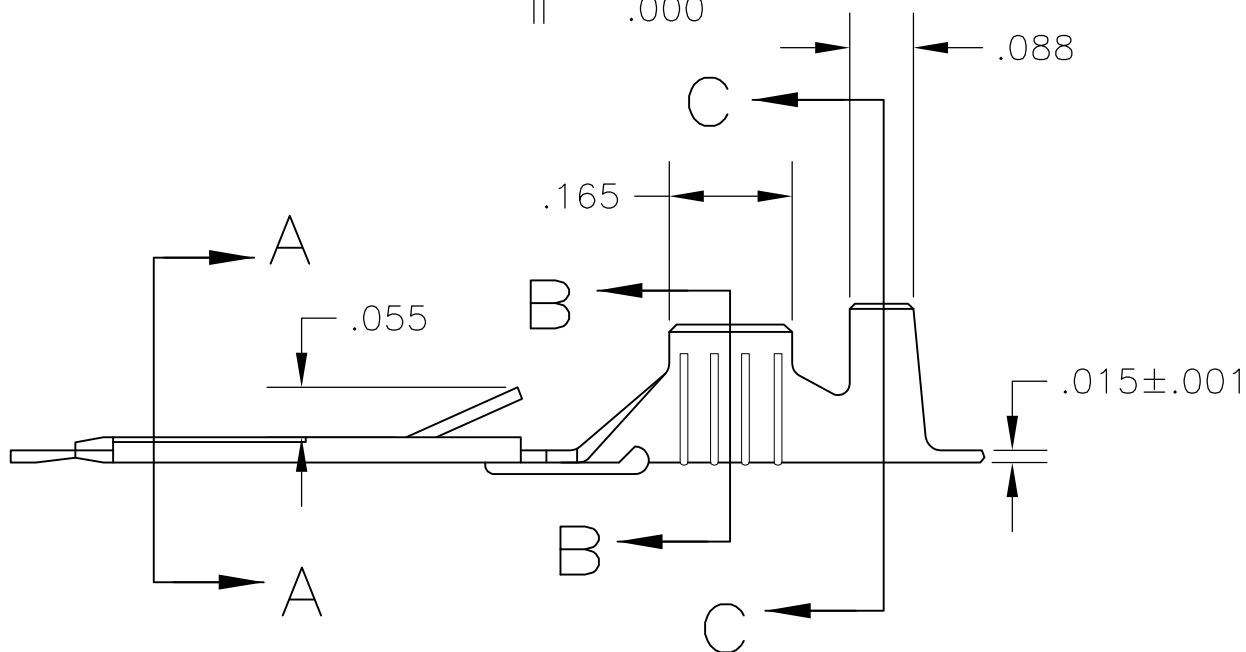
SECTION A-A SCALE 5:1



SECTION B-B SCALE 5:1



SECTION C-C SCALE 5:1



NICKEL	#2H BRASS	6	42460-9
PRE-TIN	#2H BRASS	4 5	42460-8
<del>OBSOLETE SILVER .000120 MIN</del>	<del>#2H BRASS</del>		<del>42460-7</del>
-	#2H PHOS BRZ		42460-6
PRE-TIN	#2H BRASS		42460-5
<del>OBSOLETE TIN .000080 MIN</del>	<del>#2H PHOS BRZ</del>		<del>42460-4</del>
SILVER .000120 MIN			42460-3
TIN	#2H BRASS		42460-2
-			42460-1
FINISH	MATERIAL		PART NO

THIS DRAWING IS A CONTROLLED DOCUMENT.		DWN JR RUTH 9/17/90	<b>STE</b> TE Connectivity	
DIMENSIONS: INCHES		CHK MS FEHER 9/17/90		
TOLERANCES UNLESS OTHERWISE SPECIFIED:		APVD R KUZO 9/17/90	NAME	
0 PLC ± -		PRODUCT SPEC	TAB, FASTIN-FASTON, .250 SERIES	
1 PLC ± -		-	SIZE CAGE CODE DRAWING NO RESTRICTED TO	
2 PLC ± -		APPLICATION SPEC	A3 00779 C-42460	
3 PLC ± .015		-	SCALE SHEET REV	
4 PLC ± -		WEIGHT -	4:1 1 OF 1 AB	
ANGLES ± -		CUSTOMER DRAWING		
MATERIAL SEE TABLE		FINISH SEE TABLE		