

# Customer Information Sheet

DRAWING No.: S4011-XX

SHEET 2 OF 2

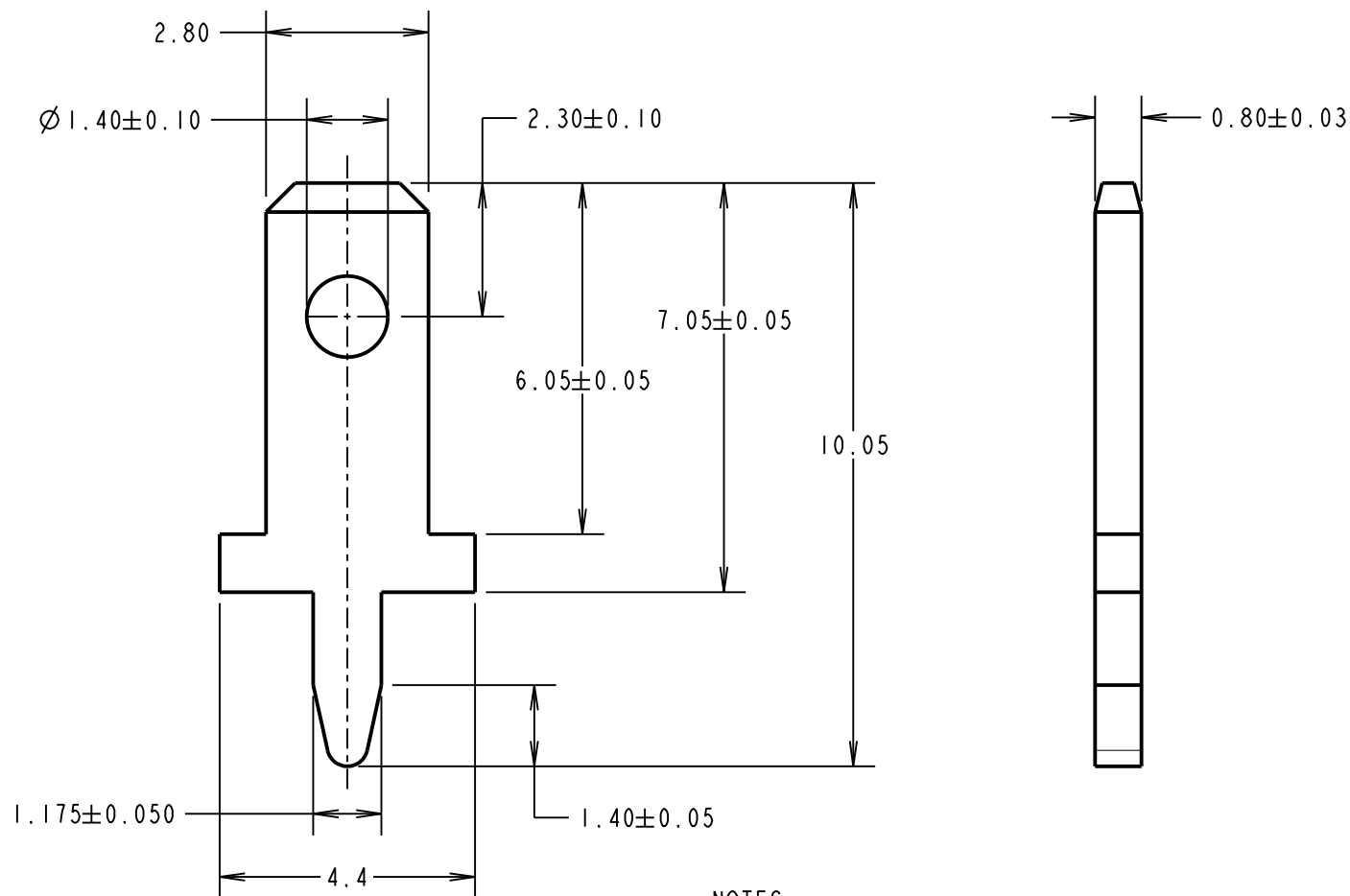
IF IN DOUBT - ASK

©

NOT TO SCALE

THIRD ANGLE PROJECTION

ALL DIMENSIONS IN mm



ORDER CODE:  
**S4011-46**  
 FINISH: \_\_\_\_\_  
 46 = 4 $\mu$  100% TIN

SB	13	28.05.15	12953
NAME	ISS.	DATE	C/NOTE
APPROVED: S.BENNETT			
CHECKED: M.PERREN			
DRAWN: W.BOURNE			
CUSTOMER REF.:			
ASSEMBLY DRG:			

- NOTES:
1. PRODUCT IS PACKED IN QUANTITIES OF 1K.
  2. RECOMMENDED MOUNTING HOLE SIZE =  $\varnothing 1.25 \pm 0.06$ mm.
  3. RECOMMENDED PCB THICKNESS = 1.60mm.

## HARWIN

www.harwin.com  
 technical@harwin.com

THIS DRAWING AND ANY INFORMATION OR DESCRIPTIVE MATTER SET OUT HEREON ARE CONFIDENTIAL AND COPYRIGHT PROPERTY OF THE HARWIN GROUP AND MUST NOT BE DISCLOSED, LOANED, COPIED OR USED FOR MANUFACTURING, TENDERING OR FOR ANY OTHER PURPOSE WITHOUT THEIR WRITTEN PERMISSION.

TOLERANCES  
 X. =  $\pm 1$ mm  
 X.X =  $\pm 0.50$ mm  
 X.XX =  $\pm 0.10$ mm  
 X.XXX =  $\pm 0.01$ mm  
 ANGLES =  $\pm 5^\circ$   
 UNLESS STATED

MATERIAL:  
 BRASS CW508L TO BS EN 1652  
 (CuZn37)

FINISH: SEE ABOVE  
 S/AREA: mm<sup>2</sup>

TITLE:  
 2.8mm BLADE VERTICAL  
 TAB TERMINAL (LOOSE)

DRAWING NUMBER:  
**S4011-46**

SHT  
 2  
 OF 2