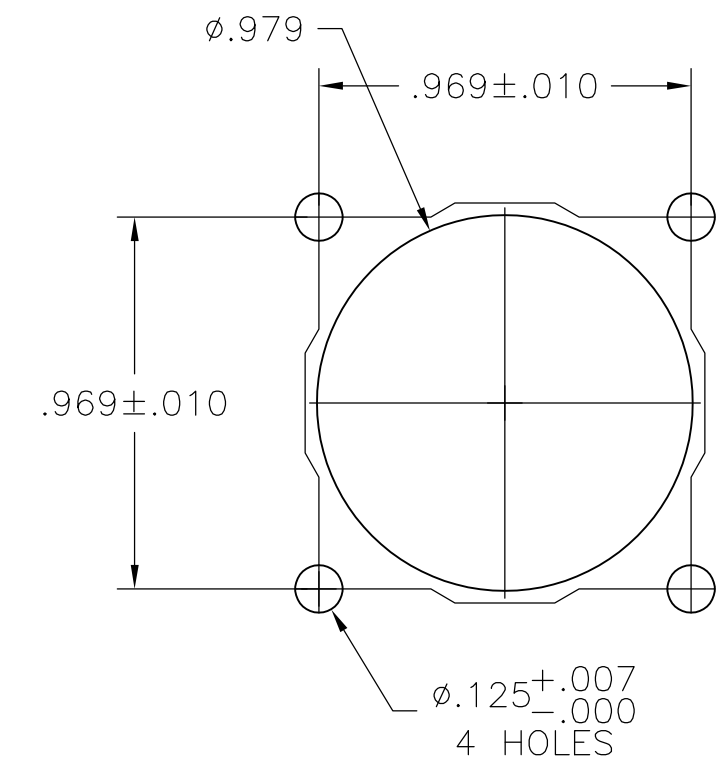
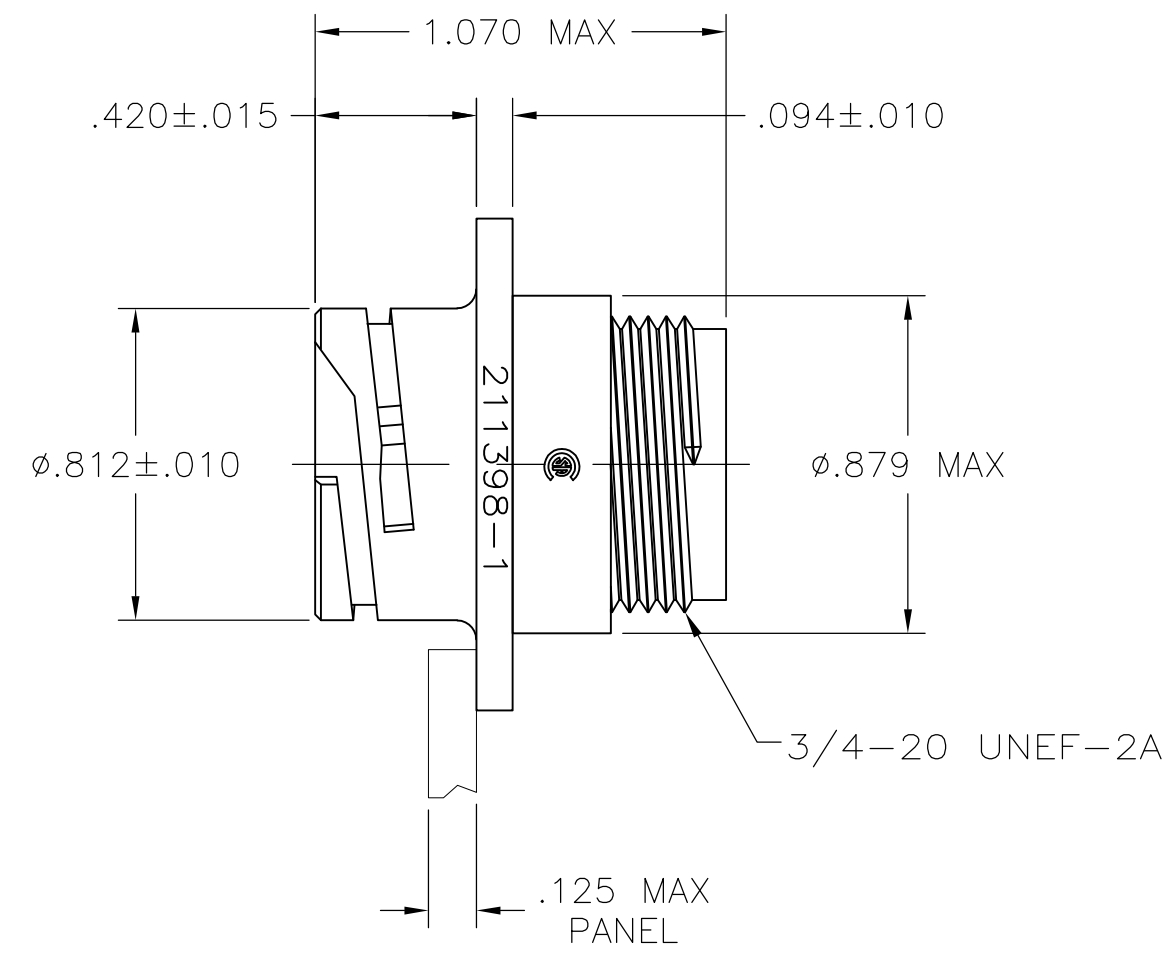
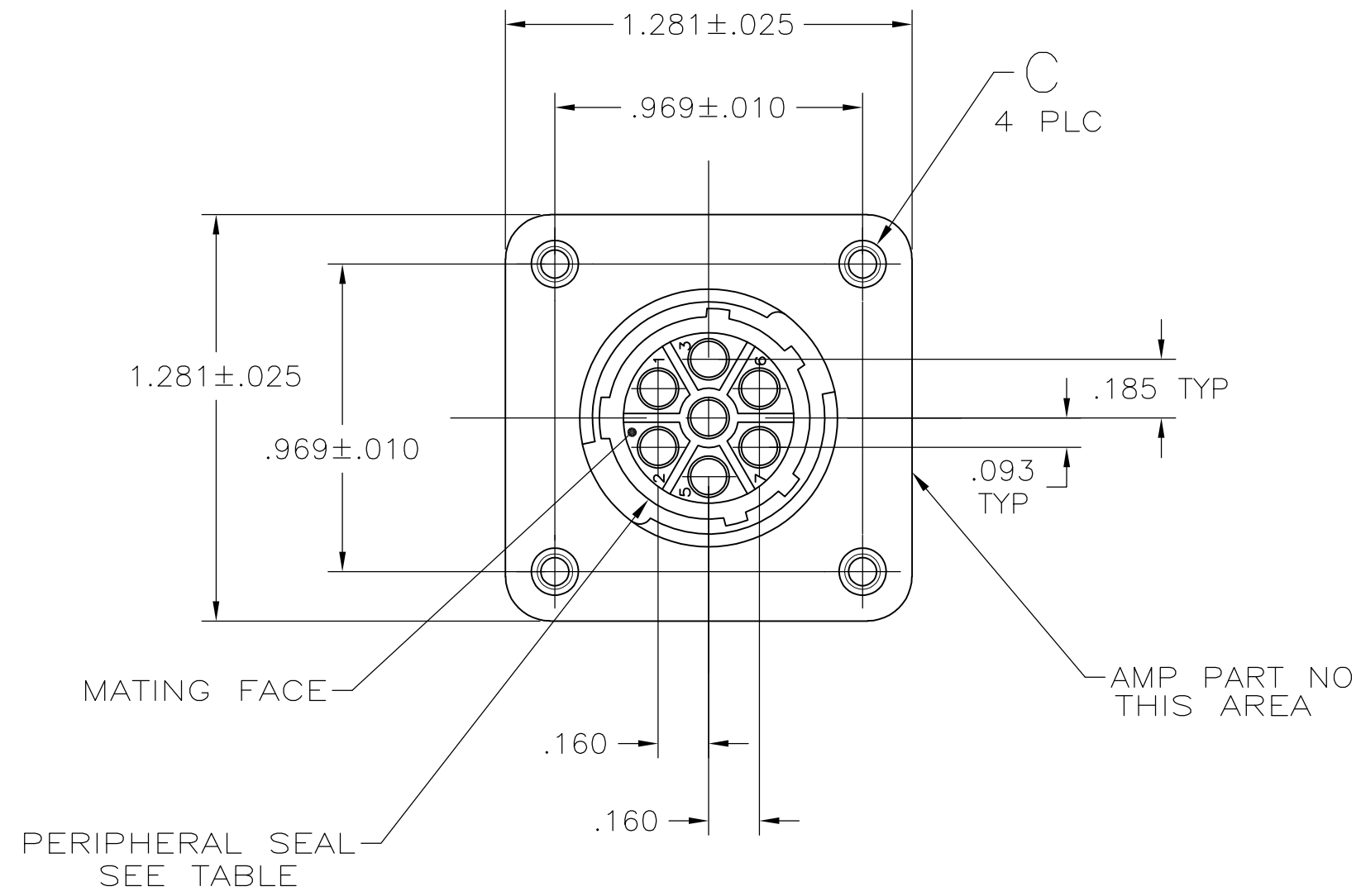


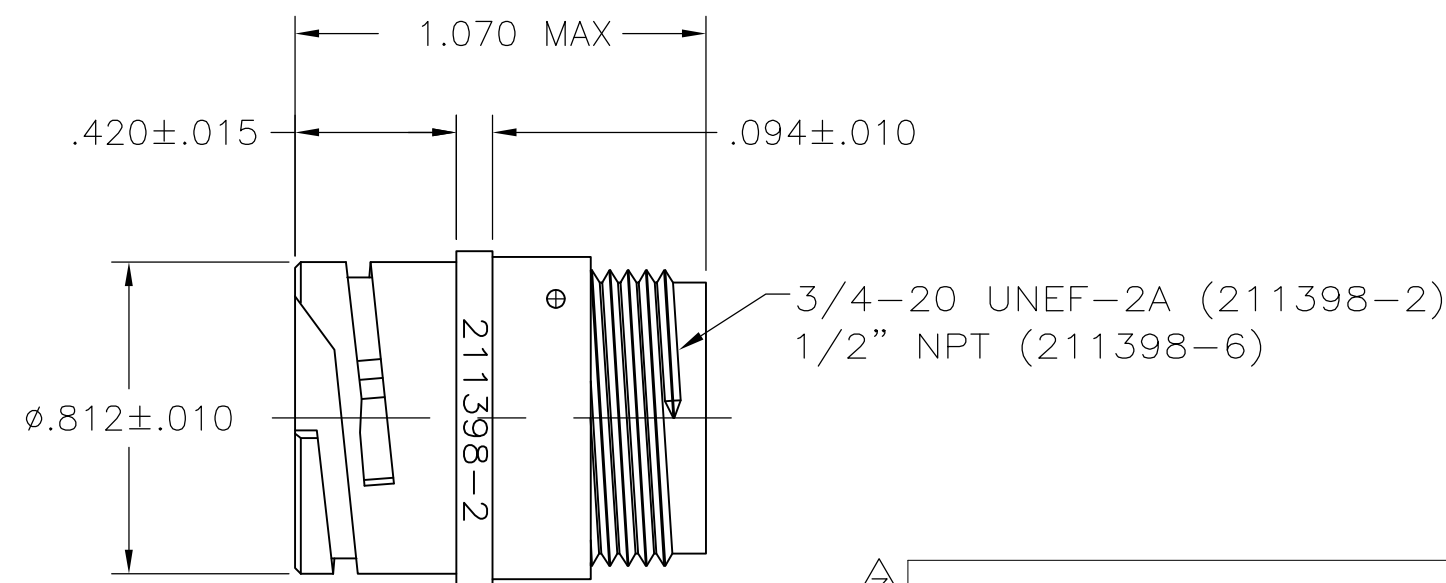
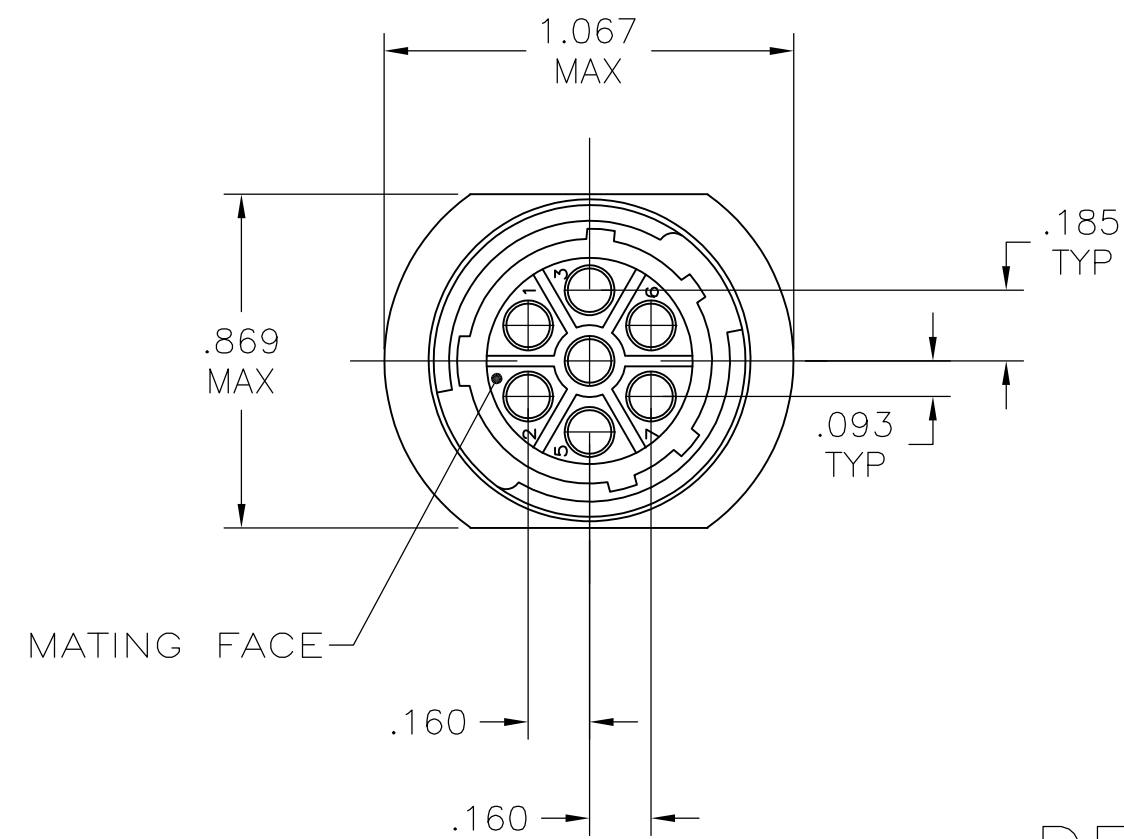
THIS DRAWING IS UNPUBLISHED. RELEASED FOR PUBLICATION
 © COPYRIGHT - By - ALL RIGHTS RESERVED.

LOC		DIST		REVISIONS			
P	LTR	DESCRIPTION	DATE	DWN	APVD		
	K2	REVISED PER ECO-13-006250	12APR2013	KH	ZM		



RECOMMENDED PANEL CUTOUT

DETAIL A



DETAIL B

3	-	NO	B	211398-6
3	4-40 THREADED INSERTS	YES	A	211398-5
	4-40 THREADED INSERTS	NO	A	211398-4
	φ.150±.003	YES	A	211398-3
	-	NO	B	211398-2
	φ.150±.003	NO	A	211398-1
	C	PERIPHERAL SEAL	SEE DETAIL	PART NUMBER

NOTES:

- CAVITY IDENTIFICATION ON FRONT AND REAR FACE.
- WILL ACCEPT SEVEN (7) MULTIMATE SOCKET CONTACTS.
- PRELIMINARY PART NUMBER.

4 COMPARATIVE TRACKING INDEX OF HOUSING MATERIAL PER UL746A=400 MIN.

THIS DRAWING IS A CONTROLLED DOCUMENT.		DWN 07-27-94 D.HARDY		
DIMENSIONS: INCHES		CHK 08-10-94 R.STONE		
TOLERANCES UNLESS OTHERWISE SPECIFIED:		APVD 10-03-94 A.FRANTUM	NAME RECEPTACLE, HOUSING, REVERSE SEX, 13-7, CPC	
		PRODUCT SPEC	SIZE CAGE CODE DRAWING NO RESTRICTED TO	
MATERIAL NYLON, BLACK		FINISH	WEIGHT A2 00779 C=211398	
		APPLIC. SPEC	SCALE 2:1 SHEET 1 OF 1 REV K2	
		WEIGHT	CUSTOMER DRAWING	