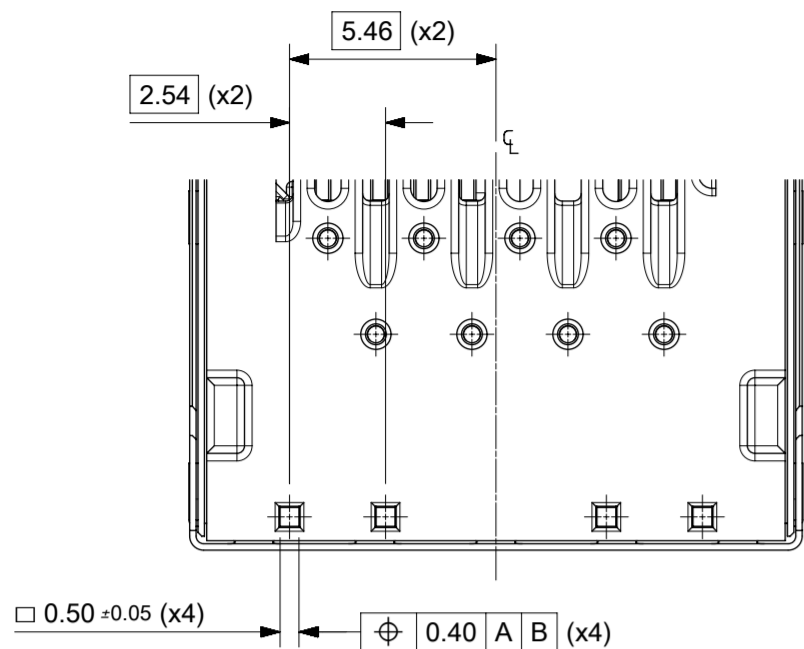
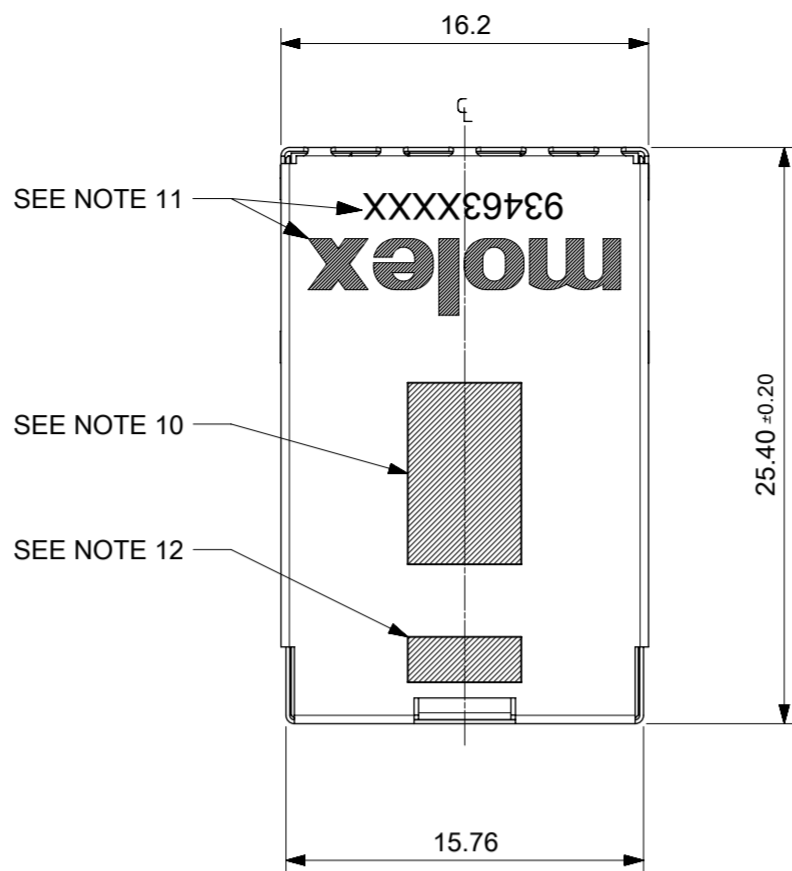


INVERTED PROFILE MAGNETIC JACK  
FAST ETHERNET W/LED

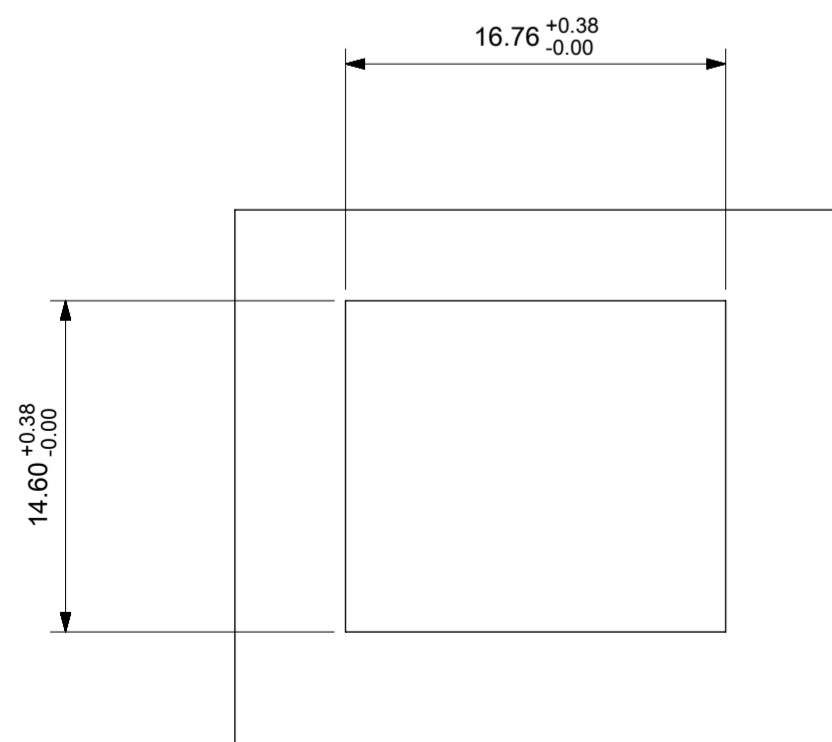
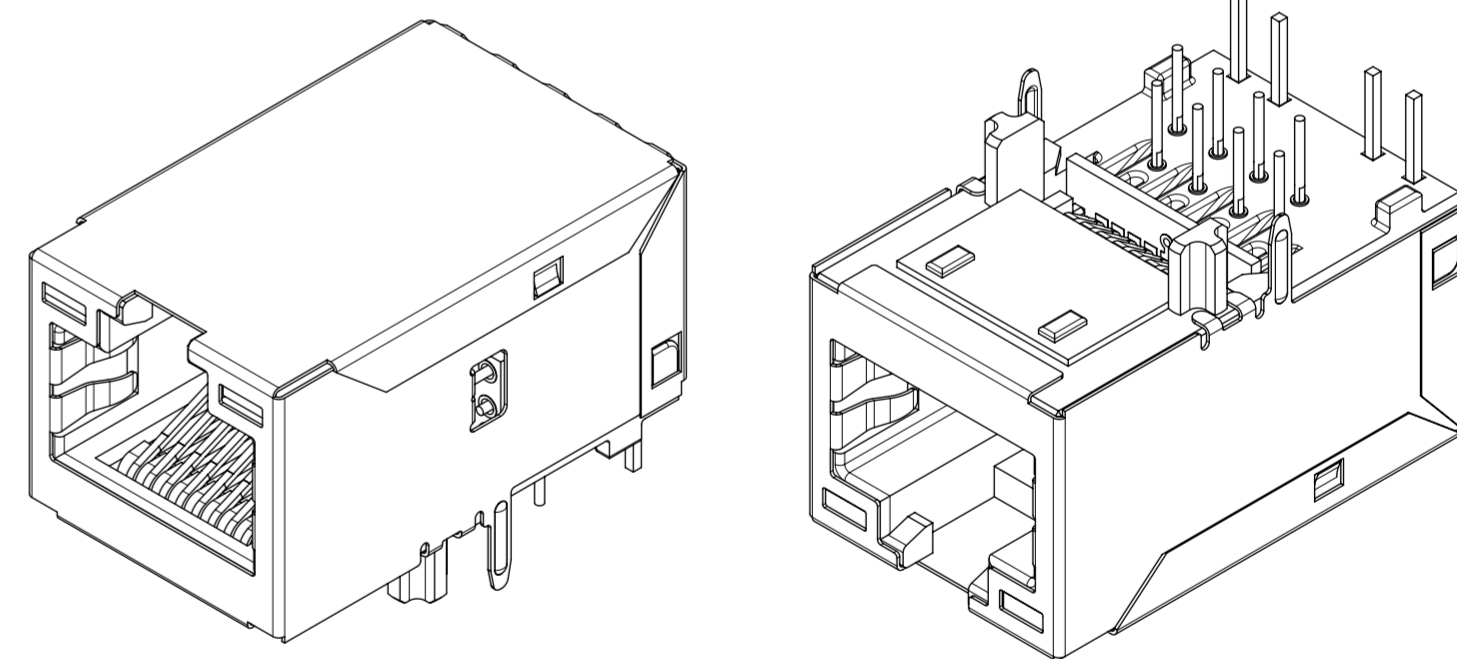
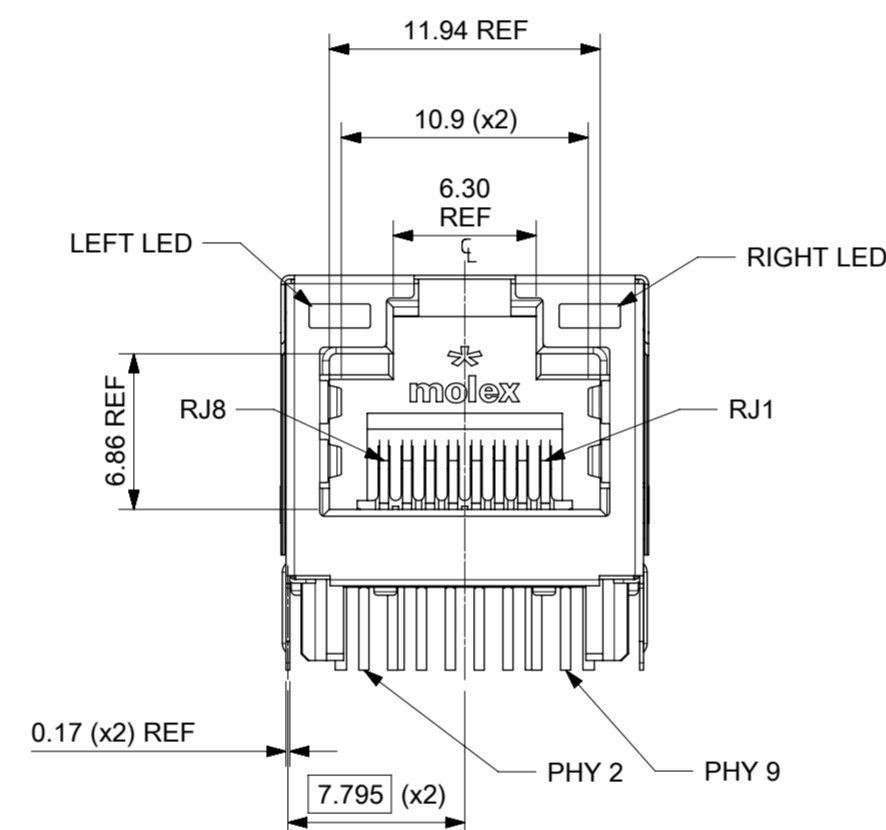
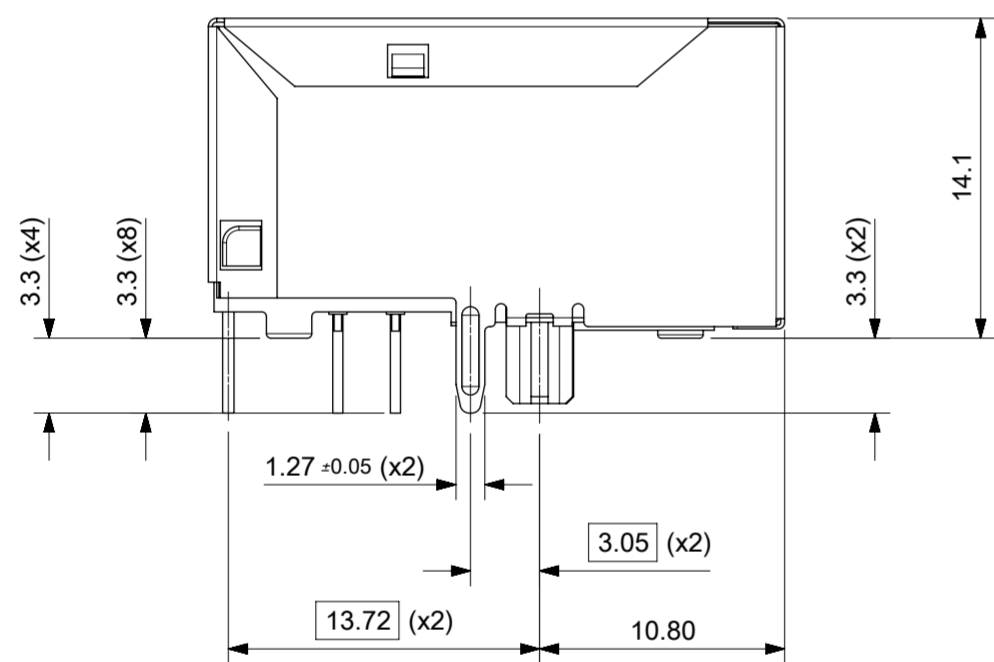


DETAIL A  
SCALE 5:1

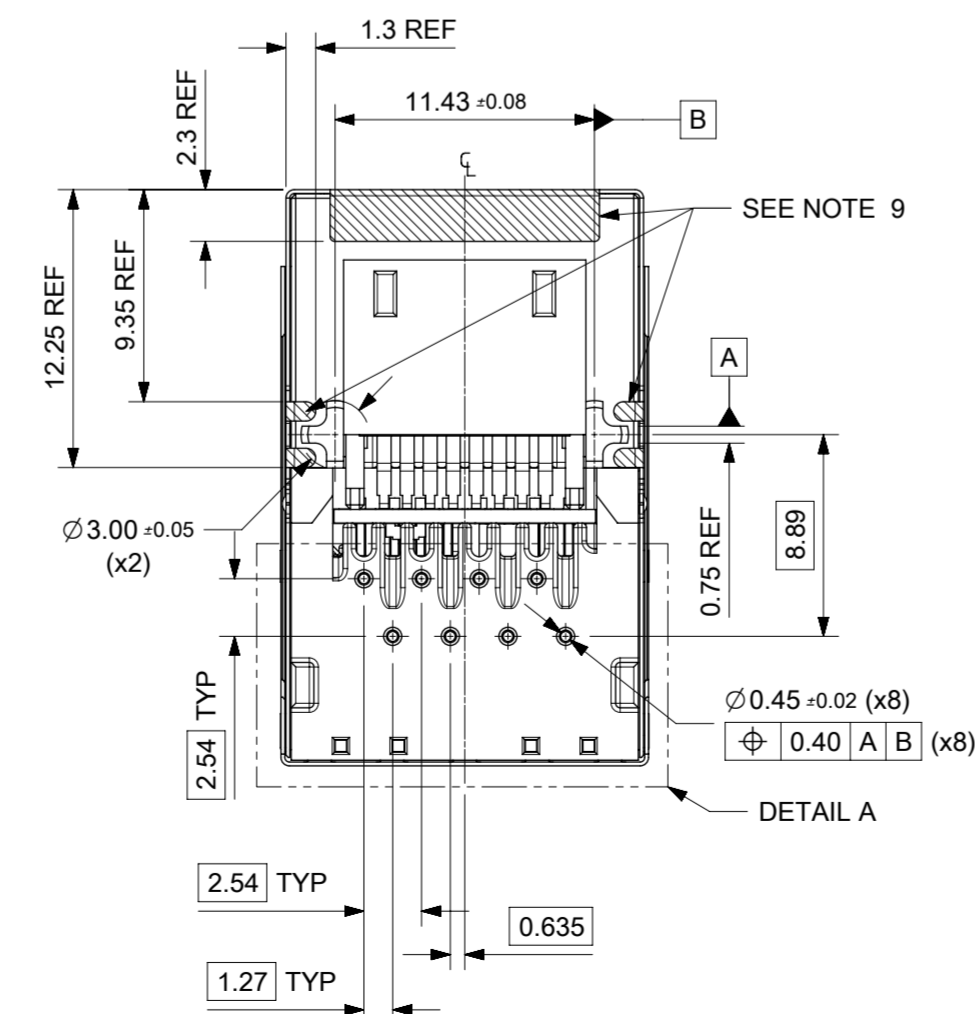


NOTES:

- 1 - SHIELD MATERIAL: 0.17MM THICK BRASS PRE-PLATED WITH NICKEL.  
SOLDER TABS POST DIPPED WITH MIN. 1.27µm TIN
- 2 - HOUSING MATERIAL: LCP, BLACK, UL 94V-0.
- 3 - TERMINALS MATERIAL: PHOSPHOR BRONZE.  
RJ45 CONTACT PLATING: BASE NICKEL, GOLD FLASH OVER PALLADIUM NICKEL.  
PHY SOLDER TAILS: COPPER ALLOY REFER TO 934620001 PSP.
- 4 - MATING INTERFACE ACCORDING TO IEC 60603-7 & TIA-1096-A.
- 5 - PRODUCT SPECIFICATION: 934620001 PSP.
- 6 - PACKAGING SPECIFICATION: 934620001 PSK TRAY.
- 7 - STAND OFF TO SYSTEM BOARD 0.30 mm MIN.
- 8 - RECOMMENDED PCB THICKNESS: 1.57 mm REF.
- 9 - SHIELD: AVOID ROUTING TRACES  
OR PLACING ANY VIAS BELOW THESE AREAS.
- 10 - AREA FOR PICK AND PLACE: 5.0 mm x 8.0 mm.
- 11 - INSCRIPTION MARKED BY LASER:  
1st : MOLEX  
2nd : P/N (SEE BOM)
- 12 - INSCRIPTION MARKED BY LASER:  
3rd : DATE CODE(DAY/WEEK/YEAR)
- 13 - MATERIAL COMPLIANT TO RoHS DIRECTIVE 2002/95/EC.

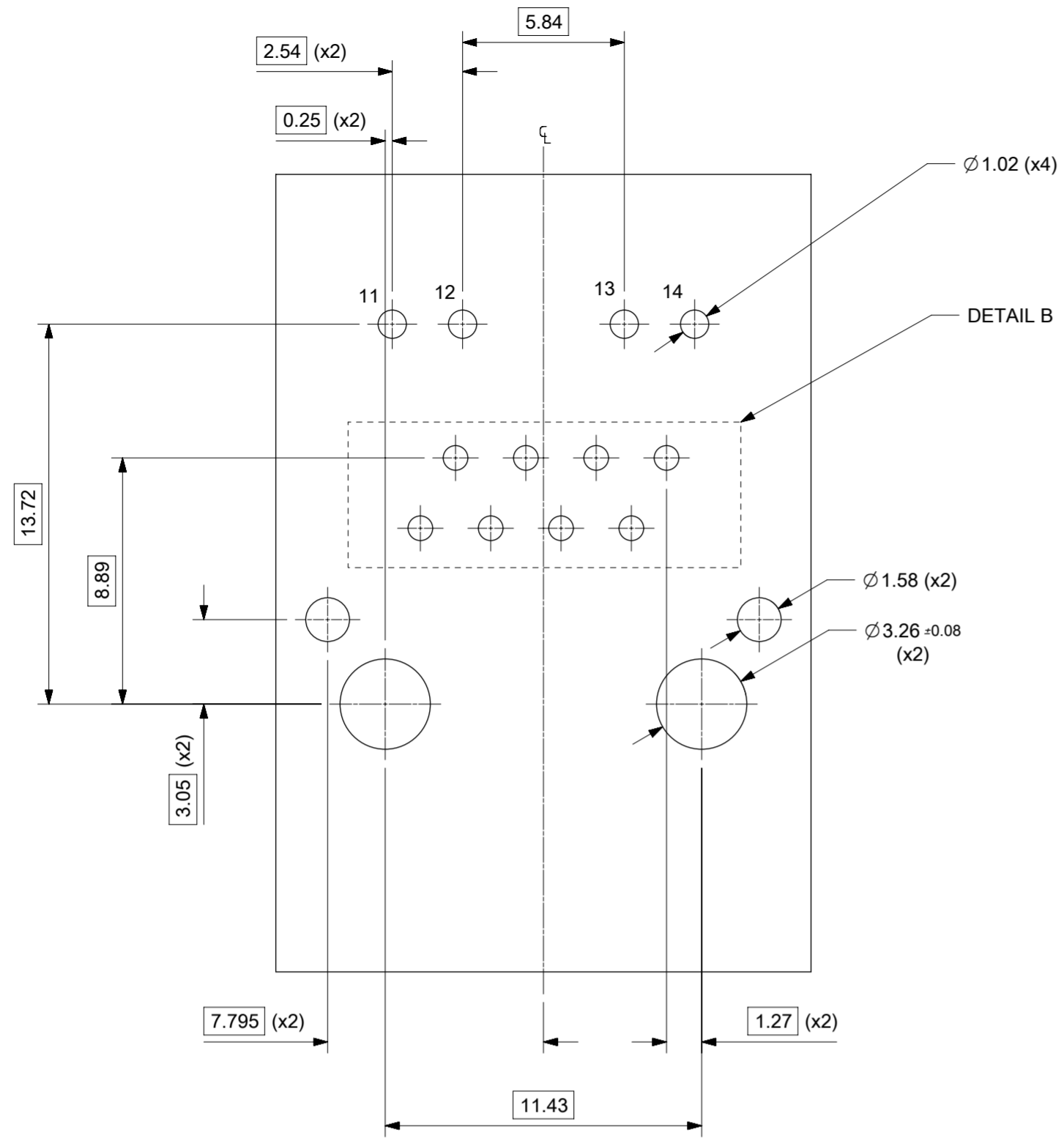


SUGGESTED PANEL CUT-OUT

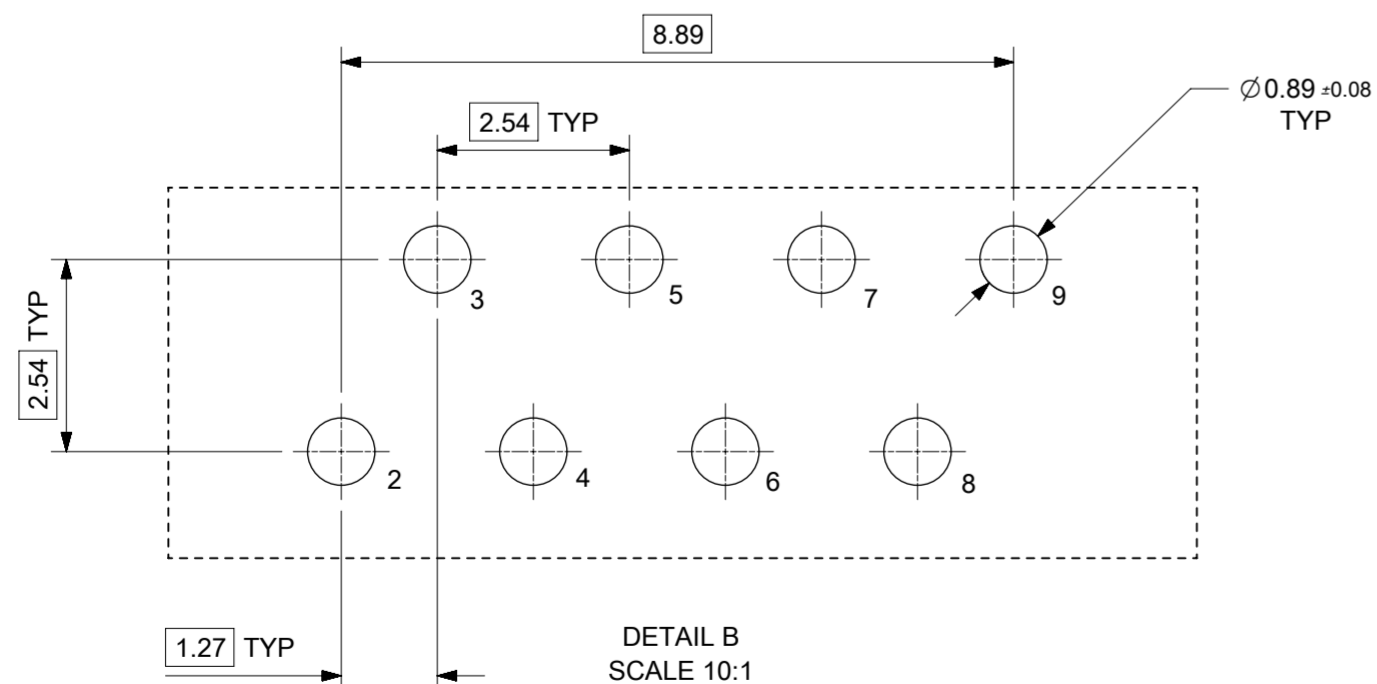


THIS DRAWING CONTAINS INFORMATION THAT IS PROPRIETARY TO MOLEX ELECTRONIC TECHNOLOGIES, LLC AND SHOULD NOT BE USED WITHOUT WRITTEN PERMISSION

UPDATED MAGBOX + 2KV EC NO: 114109 DRWN: SBRENNAN CHKD: DBYRNES APPR: STGRIFFIN	2017/02/21 2017/04/14 2017/04/25	GENERAL TOLERANCES (UNLESS SPECIFIED) ANGULAR TOL ± 2.0 °	DIMENSION UNITS MM	SCALE 3:1			
	4 PLACES ± 3 PLACES ± 2 PLACES ± 0.1 1 PLACE ± 0.2 0 PLACES ±	DRWN BY KREILLY	DATE 2015/09/15	CHKD BY DBYRNES		DATE 2015/12/17	1" MXMAG 4 CORE FE IND
	DRAFT WHERE APPLICABLE MUST REMAIN WITHIN DIMENSIONS	APPR BY STGRIFFIN	DATE 2016/01/07	PRODUCT CUSTOMER DRAWING			
	B	DRAWING SIZE A2	THIRD ANGLE PROJECTION	SERIES 93463		MATERIAL NUMBER SEE TABLE ON SHEET 2	CUSTOMER GENERAL MARKET
DOCUMENT NUMBER 934630002		DOC TYPE PSD	DOC PART 000	SHEET NUMBER 1 OF 3			



SUGGESTED BOARD LAYOUT  
FAST ETHERNET  
VIEW FROM COMPONENT SIDE  
ALL DIMS ARE REFERENCE



DETAIL B  
SCALE 10:1  
PIN CONFIGURATION  
FOR FAST ETHERNET

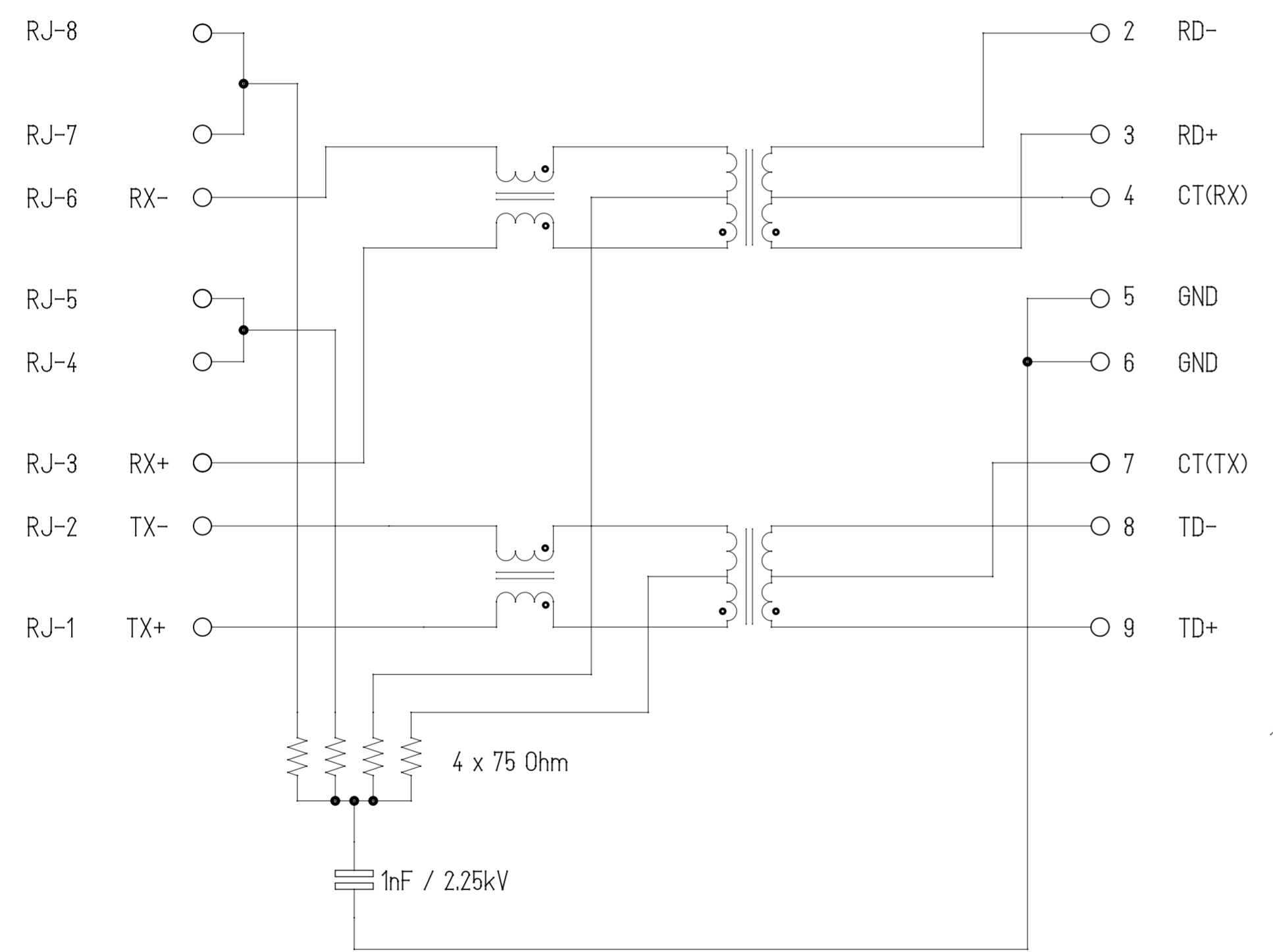
PART NUMBER	LEFT LED	RIGHT LED
934635206	GREEN	YELLOW
934635205	GREEN	GREEN/YELLOW

THIS DRAWING CONTAINS INFORMATION THAT IS PROPRIETARY TO MOLEX ELECTRONIC TECHNOLOGIES, LLC AND SHOULD NOT BE USED WITHOUT WRITTEN PERMISSION

UPDATED MAGBOX + 2KV EC NO: 114109 DRWN: SBRENNAN CHKD: DBYRNES REV / APPR: STGRIFFIN	2017/02/21	2017/04/14	GENERAL TOLERANCES (UNLESS SPECIFIED)	DIMENSION UNITS	SCALE				
			ANGULAR TOL ± 2.0 °	MM	5:1				
	4 PLACES ±		DRWN BY	DATE			1" MXMAG 4 CORE FE IND		
	3 PLACES ±		KREILLY	2015/09/15					
	2 PLACES ± 0.1		CHK'D BY	DATE			PRODUCT CUSTOMER DRAWING		
1 PLACE ± 0.2		DBYRNES	2015/12/17						
0 PLACES ±		APPR BY	DATE		SERIES	MATERIAL NUMBER	CUSTOMER		
DRAFT WHERE APPLICABLE MUST REMAIN WITHIN DIMENSIONS		STGRIFFIN	2016/01/07		93463	SEE TABLE ON SHEET 2	GENERAL MARKET		
		DRAWING SIZE	THIRD ANGLE PROJECTION	A2	DOCUMENT NUMBER		DOC TYPE	DOC PART	SHEET NUMBER
					934630002	PSD	000		2 OF 3

RJ-45 CONTACTS

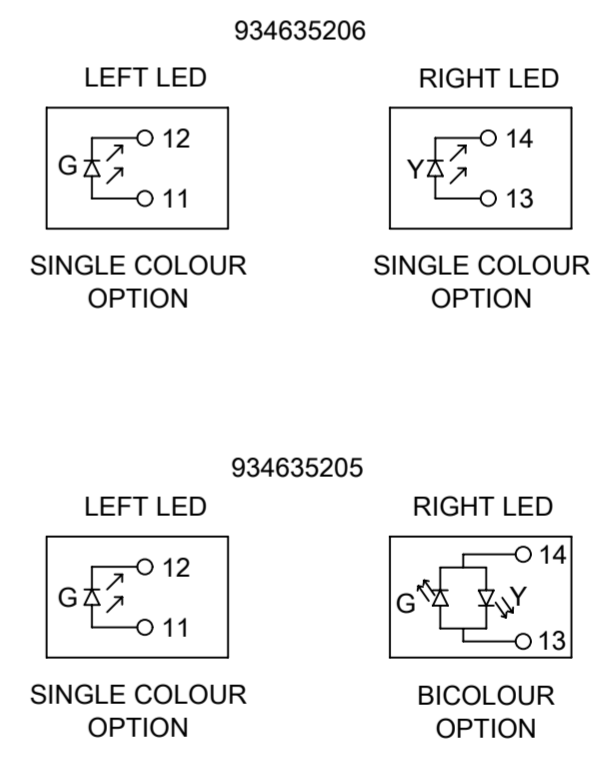
WIRE-SIDE / RJ-45                      ETHERNET MAGNETICS                      PHY-SIDE / PCB SIDE



Shield

ETHERNET TERMINALS

Description	Value	
OCL @100 kHz, 0.1 V, 8 mA DC bias (-40°C to +85°C)	350 µH min.	
OCL @100 kHz, 0.1 V, 8 mA DC bias (25°C)		
Turns ratio	1CT:1CT	
Transmission characteristics @ 25°C, all four pairs		
Insertion Loss		
Frequency (MHz)	Limits (dB max.)	Typical Values (dB max.)
1.0-9.9 MHz	0.4+0.1*log(F)	0.5 @ 10 MHz
10-49.9 MHz	0.5+0.3*log(F/10)	0.7 @ 50 MHz
50-79.9 MHz	1+1.4*log(F/80)	1.0 @ 80 MHz
80-100 MHz	1.3+3*log(F/100)	1.3 @ 100 MHz
Return Loss		
Frequency (MHz)	Limits (dB min.)	Typical Values (dB min.)
1.0-39.9 MHz	18	18 @ 40 MHz
40-100 MHz	12-20*log(F/80)	10 @ 100 MHz
CMR		
Frequency (MHz)	Limits (dB min.)	Typical Values (dB min.)
1.0-100 MHz	30	30 @ 100 MHz
Next		
Frequency (MHz)	Limits (dB min.)	Typical Values (dB min.)
1.0-39.9 MHz	35	35 @ 40 MHz
40-100 MHz	33-20*log(F/50)	27 @ 100 MHz
Isolation PHY to wire side	2.25 kVDC / 60 s	



THIS DRAWING CONTAINS INFORMATION THAT IS PROPRIETARY TO MOLEX ELECTRONIC TECHNOLOGIES, LLC AND SHOULD NOT BE USED WITHOUT WRITTEN PERMISSION

UPDATED MAGBOX + 2KV EC NO: 114109 DRWN: SBRENNAN CHKD: DBYRNES REV APPR: STGRIFFIN	2017/02/21 2017/04/14 2017/04/25	GENERAL TOLERANCES (UNLESS SPECIFIED) ANGULAR TOL ± 2.0 ° 4 PLACES ± 3 PLACES ± 2 PLACES ± 0.1 1 PLACE ± 0.2 0 PLACES ±	DIMENSION UNITS: MM SCALE: 1:1 DRWN BY: KREILLY DATE: 2015/09/15 CHK'D BY: DBYRNES DATE: 2015/12/17 APPR BY: STGRIFFIN DATE: 2016/01/07		
	1" MXMAG 4 CORE FE IND		PRODUCT CUSTOMER DRAWING		
	DRAFT WHERE APPLICABLE MUST REMAIN WITHIN DIMENSIONS		DRAWING SIZE: A2 THIRD ANGLE PROJECTION		SERIES: 93463 MATERIAL NUMBER: SEE TABLE ON SHEET 2 CUSTOMER: GENERAL MARKET
	DOCUMENT NUMBER: 934630002 DOC TYPE: PSD DOC PART: 000 SHEET NUMBER: 3 OF 3				