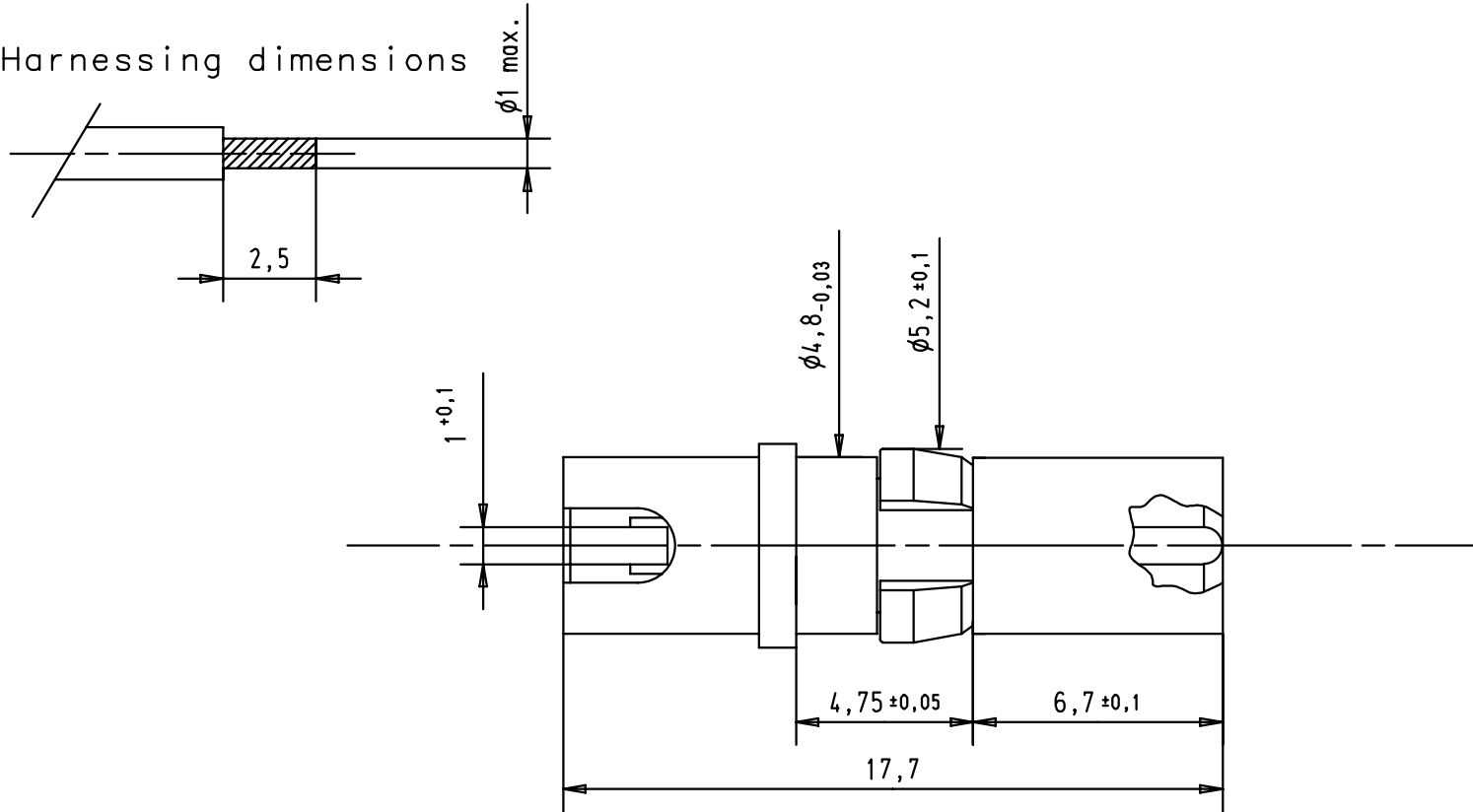
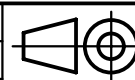



Harnessing dimensions



A	Mating area	Plating					Detail.	02/01/02	AF	 <p>All Dim. in mm Orig. Size DIN A 4</p>	Female High voltage contact, right angled cable termination for AWG 20, solder	Maßstab/ Scale 5:1
	Termination area	1,3 µm Au					Insp.					
		1,3 µm AU					Stand.					
							HARTING EURL F-95972 Paris				TB 09 69 581 2550	Blatt/ Page 1 / 1
						Mod.	29742	02/01/02	AF			