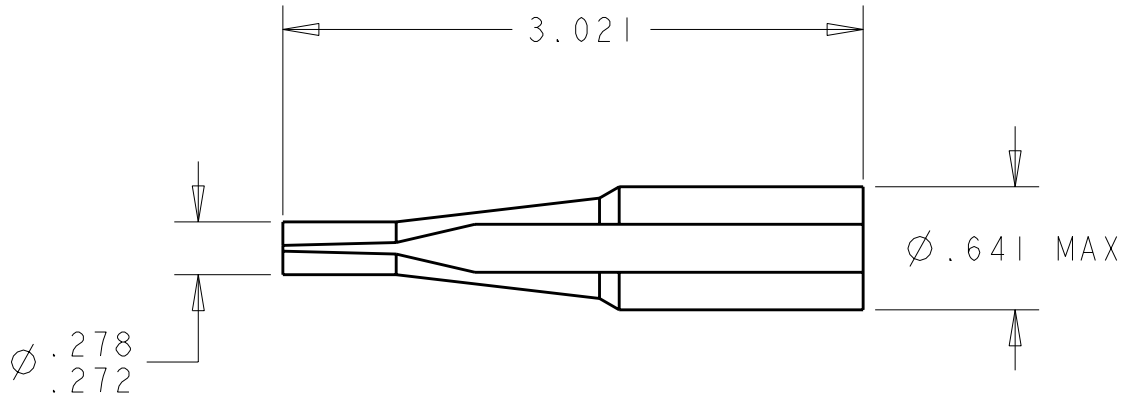


LOC	DIST	REVISIONS					
		P	LTR	DESCRIPTION	DATE	DWN	APVD
-	-		A	NEW RELEASE	17OCT2008	CR	DO



- PART NUMBER CHANGES AND OR DESIGN CHANGES AFFECTING ITEM INTERCHANGEABILITY REQUIRE PRIOR TYCO ELECTRONICS APPROVAL AND AUTHORIZATION BY REVISION TO THIS DRAWING.
- MATERIAL: THERMOPLASTIC
COLOR: RED
- EXTRACTION TOOL FOR USE ON INSERTABLE/REMOVABLE CONTACT SIZE #8

AS SHOWN	1643914-1
DESCRIPTION	PART NO.

DIMENSIONS: INCHES	DWN C. ROHLER	17OCT2008	MATERIAL	-	FINISH	-
	CHK D. ORRIS	17OCT2008	Tyco Electronics Harrisburg, PA 17105-3608			
TOLERANCES UNLESS OTHERWISE SPECIFIED:	APVD M. PERCHERKE	17OCT2008				
0 PLC ±-	PRODUCT SPEC		NAME REMOVAL TOOL SIZE #8 COLOR RED, DOMINO/DRAWERS			
1 PLC ±-	APPLICATION SPEC		SIZE	CAGE CODE	DRAWING NO	RESTRICTED TO
2 PLC ±.02	-		A4	00779	C-1643914	-
3 PLC ±.010	-		CUSTOMER DRAWING			
4 PLC ±-	WEIGHT		SCALE			
ANGLES ±5	-		SHEET OF REV A			