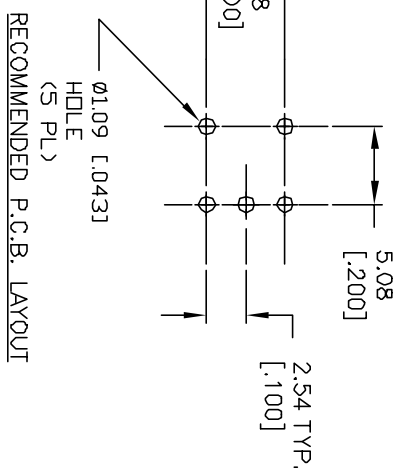
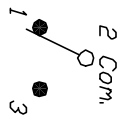
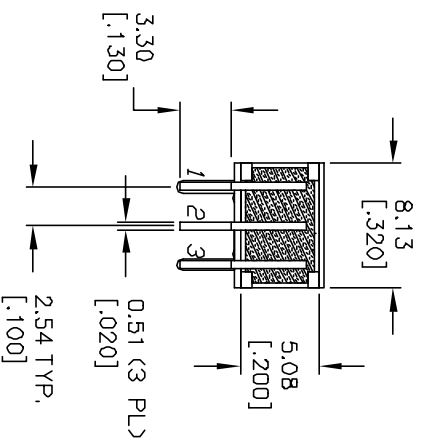
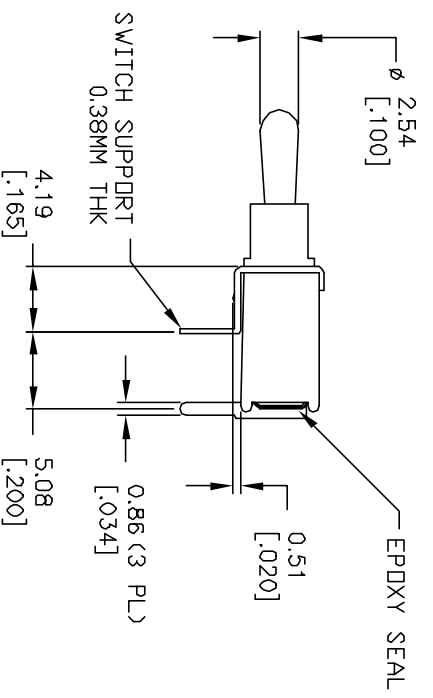
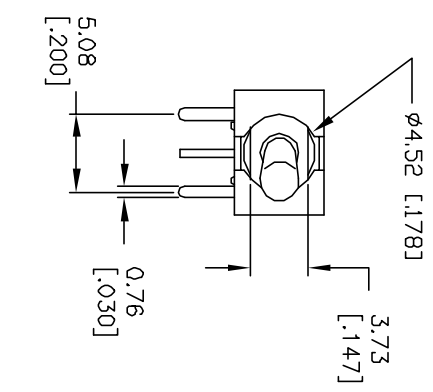


E-SWITCH LOGO



RECOMMENDED P.C.B. LAYOUT



CIRCUIT: SPDT

CONTACT CONFIGURATION

SWITCH FUNCTION		
PDS. 1	PDS. 2	PDS. 3
2-3	OPEN	2-1

- NOTES:
1. ALL DIMENSIONS IN MM [INCH]
 2. GENERAL TOLERANCE: X.X=±0.4
X.XX=±0.25
 3. TERM. NOS. FOR REF. ONLY
 4. RATING: 0.4(VA) max. @20V max. (AC or DC)
 5. FIXED TERM. & MOVING CONTACT: Copper alloy w/Gold plate over Nickel plate
 6. ELECTRICAL LIFE: 50,000 make-and-break cycles at full load.
 7. INSULATION RESISTANCE: 1000M ohm min.
 8. DIELECTRIC STRENGTH: 1000V RMS min. @seo level.
 9. OPERATING TEMP.: -30°C to 85°C

E-SWITCH®

REV. B		TITLE		SCALE		DATE		DR		DVG		REV	
11536	WRONG PART DESCRIPTION	6/8/01	CJB	2:1	2004 WMS-3 T2 A1 M6 R E	3/7/97	MM	T201212	B				
ECN No.	DESCRIPTION	DATE	CHKD										
THE INFORMATION CONTAINED IN THIS DOCUMENT IS PROPRIETARY TO E-SWITCH AND IS NOT TO BE COPIED OR TRANSMITTED													