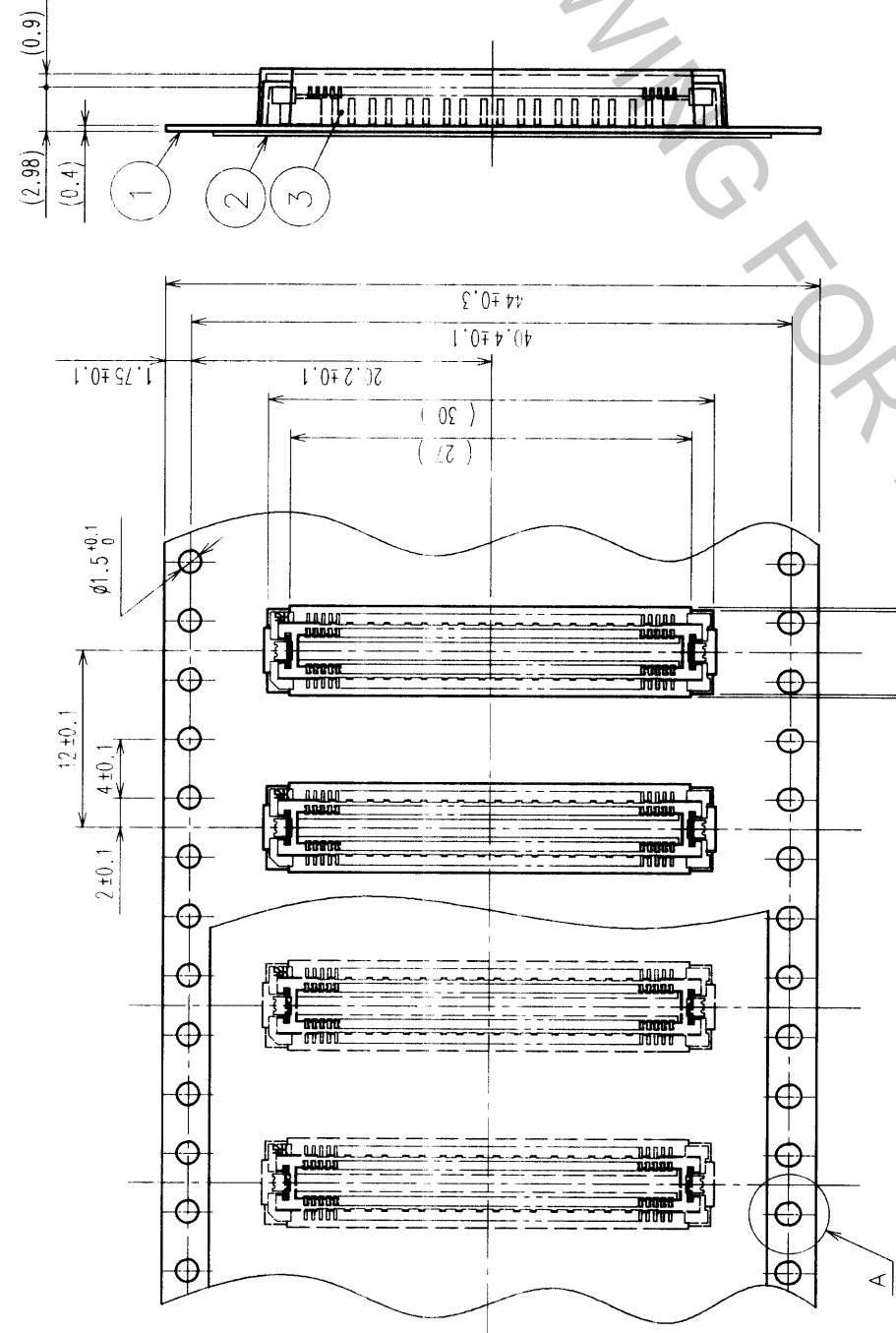




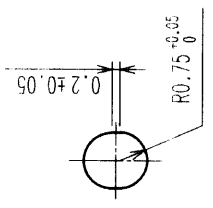
COUNT	DESCRIPTION OF REVISIONS	BY	CHKD	DATE	COUNT	DESCRIPTION OF REVISIONS	BY	CHKD	DATE
1									
2									
3									

REELED DIMENSION (FREE)



THE DIRECTION OF PULLING OUT →

A (5 : 1)



- NOTES 1 1 REEL : 1000 CONNECTORS .
- 2 MINIMUM 10 COMPARTMENTS FROM BOTH REEL ENDS REMAIN EMPTY .
- 3 THIS PRODUCT HAS NO POLARITY TO TAPE AND REEL PACKAGING .

2	PET	TOP COVER TAPE			
1	PS	EMBOSSED CARRIER TAPE	3	(CONNECTOR)	
NO.	MATERIAL	FINISH, REMARKS	NO.	MATERIAL	FINISH, REMARKS
CODE NO. (OLD)	CL	DRAWN	DESIGNED	CHECKED	APPROVED
		J. MATSUKAWA	J. MATSUKAWA	M. ISHIDA	Y. YOSHIMURA
		00.01.15	00.01.15	00.01.17	00.01.17
DRAWING FOR PACKING		PART NO.		RELEASED	
EDC3-152628-01		FX11B-100P-SVO.5(21)			
SCALE	2 : 1	CODE NO.		CL573-0653-5-21	
UNITS	mm	HIROSE ELECTRIC CO., LTD			

TO	
PCK	