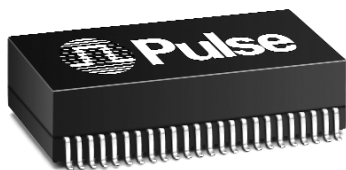


T1/CEPT/ISDN-PRI TRANSFORMER

Quad Port SMT Transformer Module with Line Side Protection



- Four transmit transformers, four receive transformers and line side protection circuit in a surface mount package
- Matched to Level One's LXT384LE/BE Octal T1/E1 Transceiver
- Extended temperature range
- Patented "Interlock Base" construction for high reliability
- IC grade transfer-molded package withstands 235°C IR reflow temperature
- Minimum Isolation voltage: 1500 Vrms
- UL 1950 recognized

Electrical Specifications @ 25°C — Operating Temperature -40°C to +85°C

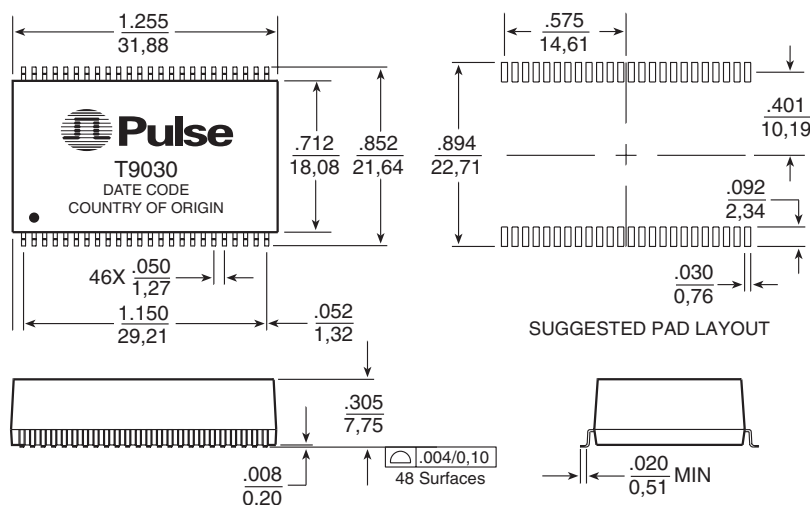
Part Number	Turns Ratio ¹ (Pri:Sec ±2%)		OCL Line Side (mH MIN)	Cw/w (pF MAX)	LL (μH MAX)	Package/ Schematic	Primary Pins	
	Transmit	Receive					Transmit	Receive
T9030	1CT:2	1CT:1	1.2	35 & 35	.50 & .80	BRT	4-6, 10-12, 16-18, 22-24	48-46, 42-40, 36-34, 30-28

¹ For receive channel, to make a 1:2 ratio from a 1CT:1, use only one-half of the primary (1CT) winding.
NOTE: For extended temperature range transformers, OCL (Open Circuit Inductance for the primary winding) is specified at both -40°C and +25°C. At -40°C, OCL is 600 μH minimum. All other parameters are specified at +25°C.

Mechanical

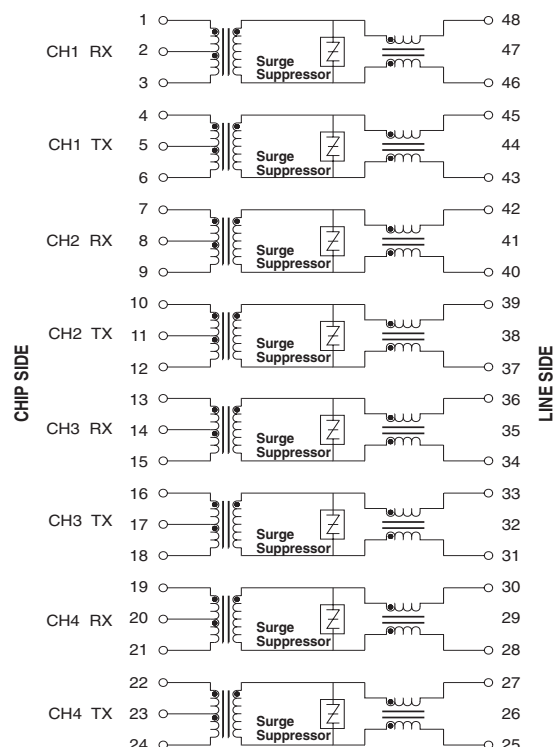
Schematic

BRT



Weight9.2 grams
 Tape & Reel150/reel
 Tube15/tube

Dimensions: $\frac{\text{Inches}}{\text{mm}}$
 Unless otherwise specified, all tolerances are $\pm .010$
 $\pm .025$



For More Information:

Pulse Worldwide Headquarters

12220 World Trade Drive
 San Diego, CA 92128
 U.S.A.
www.pulseeng.com
 TEL: 858 674 8100
 FAX: 858 674 8262

Pulse Northern Europe

3 Huxley Road
 Surrey Research Park
 Guildford, Surrey GU2 5RE
 United Kingdom
 TEL: 44 1483 401700
 FAX: 44 1483 401701

Pulse Southern Europe

Zone Industrielle
 F-39270
 Orgelet
 France
 TEL: 33 3 84 35 04 04
 FAX: 33 3 84 25 46 41

Pulse China Headquarters

No. 1
 Industrial District
 Changan, Dongguan
 China
 TEL: 86 769 85538070
 FAX: 86 769 85538870

Pulse North China

Room 1503
 XinYin Building
 No. 888 YiShan Road
 Shanghai 200233
 China
 TEL: 86 21 54643211/2
 FAX: 86 21 54643210

Pulse South Asia

150 Kampong Ampat
 #07-01/02
 KA Centre
 Singapore 368324
 TEL: 65 6287 8998
 FAX: 65 6280 0080

Pulse North Asia

No. 26
 Kao Ching Road
 Yang Mei Chen
 Taoyuan Hsien
 Taiwan, R. O. C.
 TEL: 886 3 4641811
 FAX: 886 3 4641911

Performance warranty of products offered on this data sheet is limited to the parameters specified. Data is subject to change without notice. Other brand and product names mentioned herein may be trademarks or registered trademarks of their respective owners.

© Copyright, 2006. Pulse Engineering, Inc. All rights reserved.