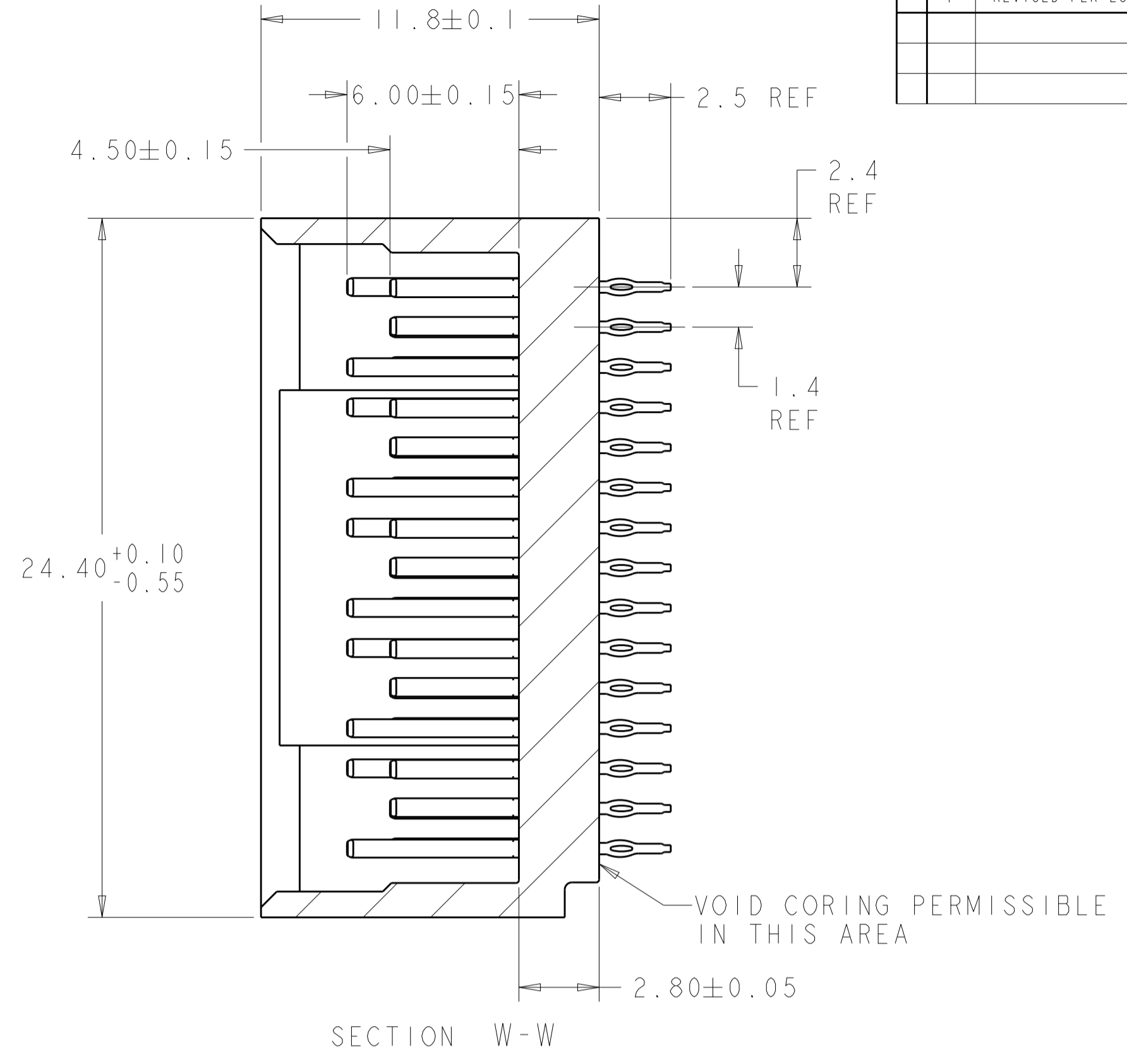
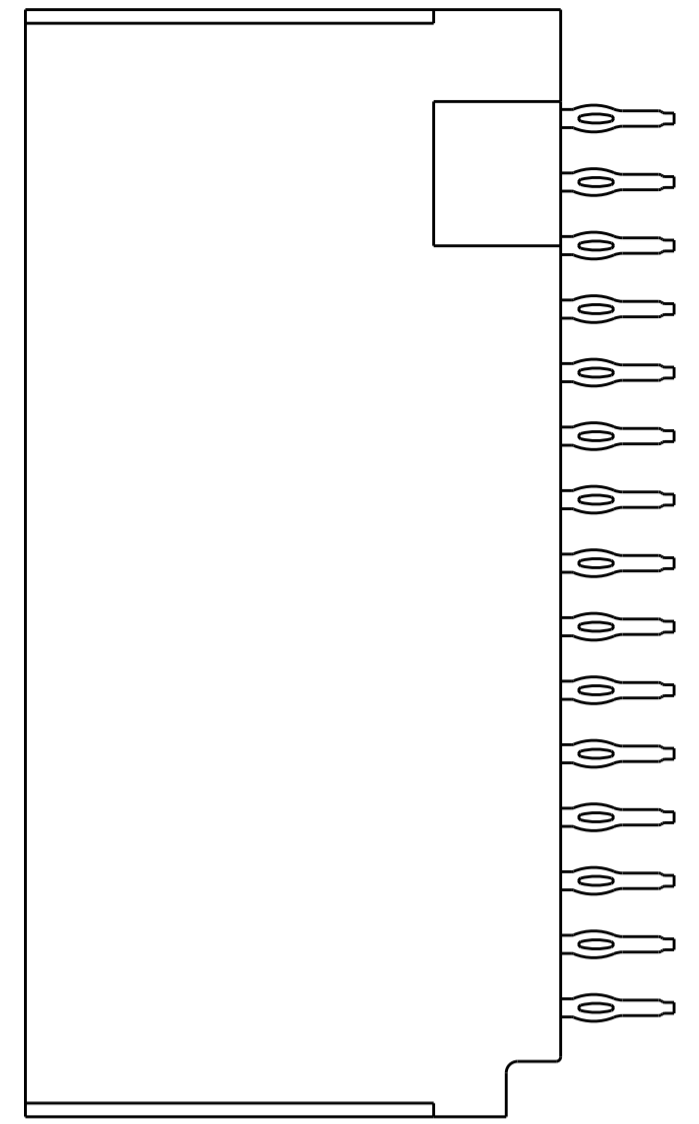
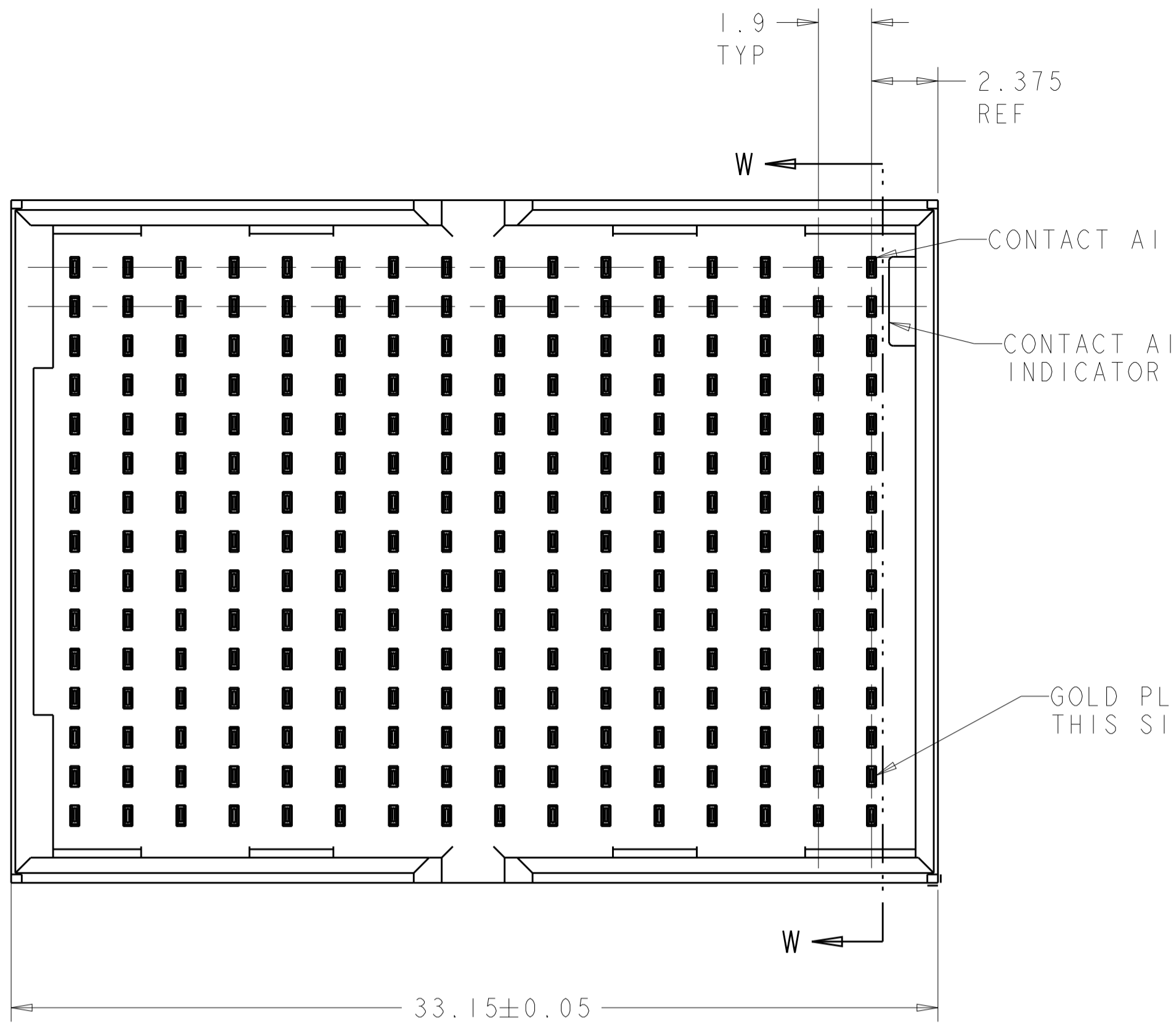
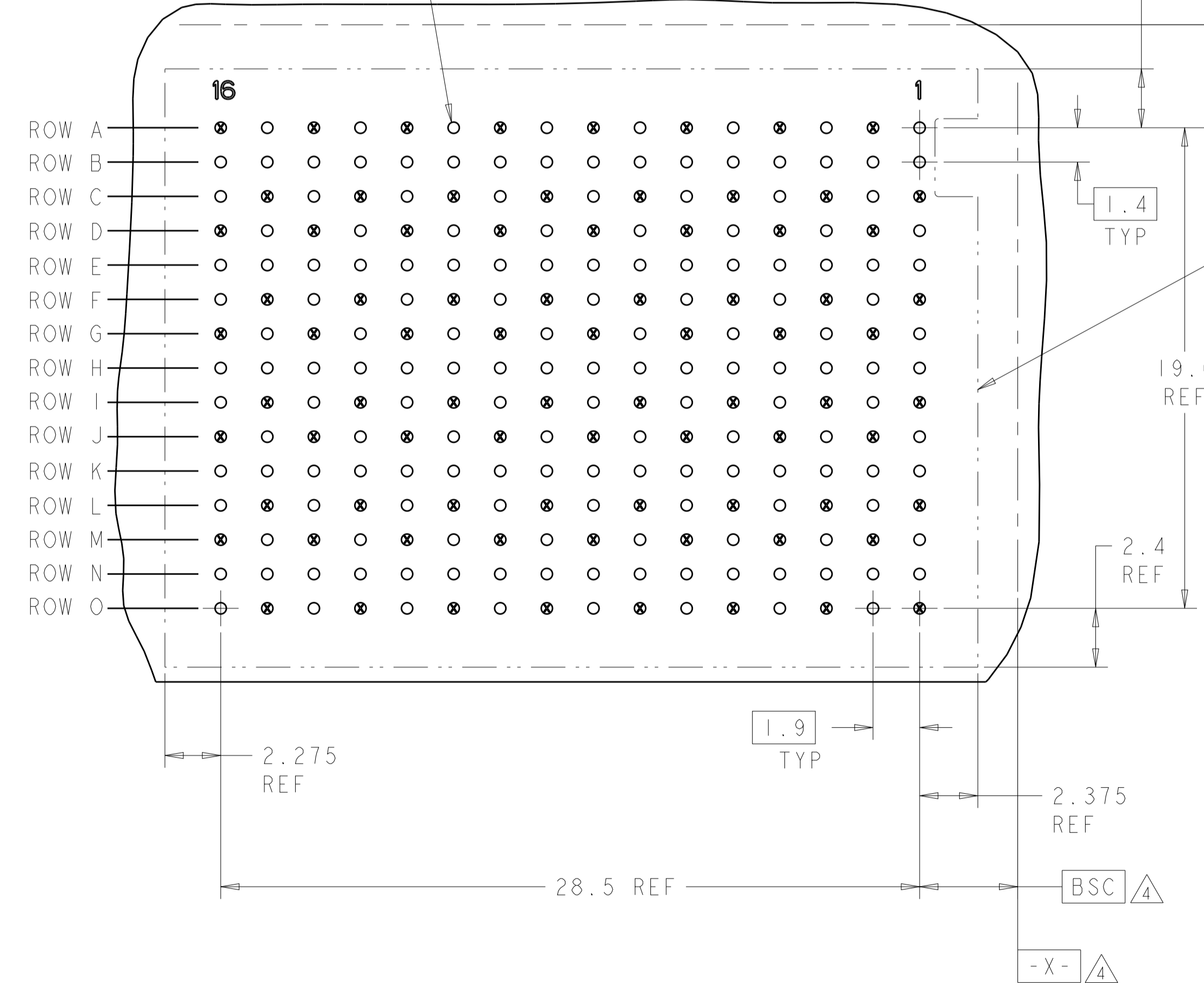


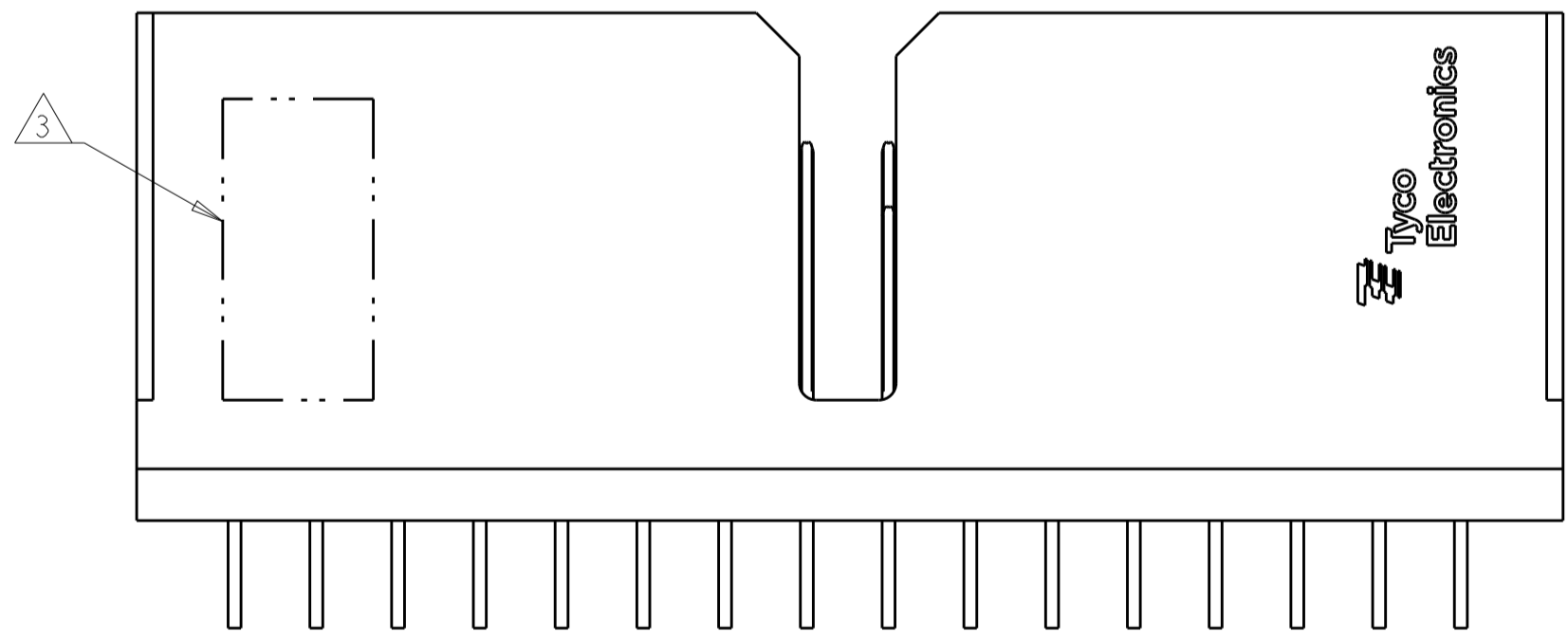
LOC	DIST	REVISIONS			
GP	00	REV	DATE	BY	APPV
F		REVISED PER ECO-13-010626	31JUL2013	KH	RP



FINISHED HOLE SIZE AND PLATED THRU HOLES



- △ MATERIAL:
CONTACT - PHOS BRONZE
HOUSING - LCP, UL 94V-0, COLOR - BLACK
- △ FINISH:
CONTACT AREA FINISH CONFORMS TO THE REQUIREMENTS OF TE PRODUCT SPECIFICATION 108-2303; BASED ON TELCORDIA GR-1217-CORE FOR SYSTEM QUALITY LEVEL III, APPLICATIONS IN CONTROLLED ENVIRONMENTS (CENTRAL OFFICE).
COMPLIANT PIN AREA- 0.5µm MIN MATTE TIN OVER 1.27µm MIN NICKEL.
- △ CONNECTOR MARKED WITH PART NUMBER, DATE CODE AND STANDARD IN APPROXIMATE AREA SHOWN
- △ DATUMS AND BASIC DIMENSIONS ESTABLISHED BY CUSTOMER.
- 5. CONTACT AREA LUBRICATED WITH BELLCORE APPROVED LUBRICANT. TECHNICAL REFERENCE GR-1217-CORE, ISSUE 1, NOVEMBER 1995.
- △ REFERENCE APPLICATION SPEC 114-13202 FOR RECOMMENDED PLATED THRU HOLE DIAMETER AND PLATING THICKNESSES.



○ = SIGNAL
⊗ = GROUND
RECOMMENDED PC BOARD LAYOUT BACKPLANE,
COMPONENT SIDE SHOWN
SCALE 6:1

1934332-1
PART NUMBER

THIS DRAWING IS A CONTROLLED DOCUMENT.		OWN: B. MCMASTER 06JUN2007	TE Connectivity	
DIMENSIONS:		CHK: W. DAVIS 06JUN2007	NAME: HEADER ASSEMBLY, DOUBLE WALL, 5 PAIR 16 COLUMN	
TOLERANCES UNLESS OTHERWISE SPECIFIED:		APPV: W. DAVIS 06JUN2007	PRODUCT SPEC: TinMan	
mm	0 PLC ±	APPLICATION SPEC:		
	1 PLC ±	SIZE: A1		
	2 PLC ±	CAGE CODE: 1934332		
	3 PLC ±	DRAWING NO: 1934332		
	4 PLC ±	SHEET 1 OF 1		
	ANGLES ±	REV F		
MATERIAL:	FINISH:	WEIGHT:	CUSTOMER DRAWING	
SCALE: 6:1		SHEET 1 OF 1		