

# CGJ4C2C0G2A102J060AA

TDK Item Description : CGJ4C2C0G2A102JT\*\*\*

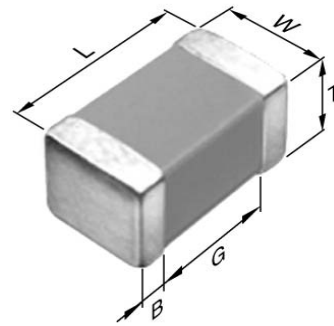


## Application & Main Feature

High Reliability Grade ( Mid Voltage (100 to 630V) )

## Series

CGJ4(2012) [EIA CC0805]



## Dimensions

L 2.00mm +/-0.2mm  
 W 1.25mm +/-0.2mm  
 T 0.60mm +/-0.15mm  
 B 0.20mm Min.  
 G 0.50mm Min.

## Temperature Characteristic

C0G (-55 to 125 degC 0+/-30ppm/degC)

## Rated Voltage

2A (100Vdc)

## Capacitance

1nF

## Capacitance Tolerance

J (+/-5%)

## Q Factor

1000 Min.

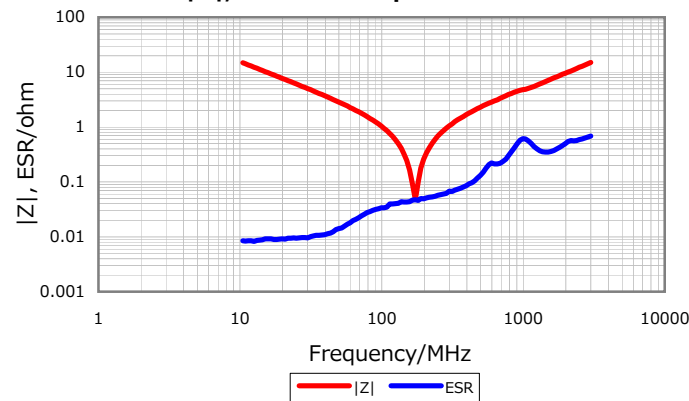
## Insulation Resistance

10Gohm Min.

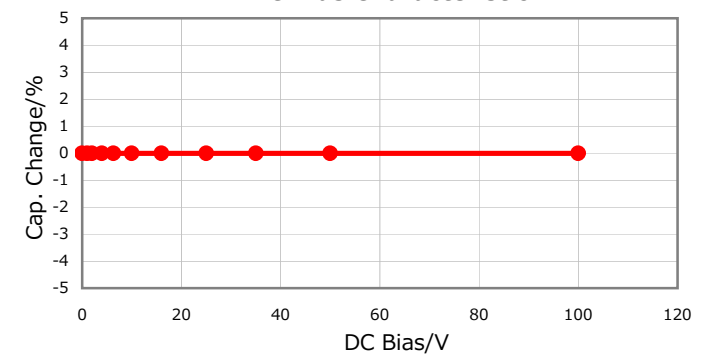
## AEC-Q200

Yes

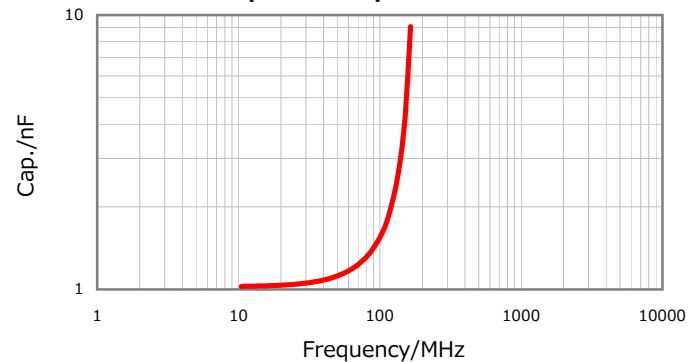
**|Z|, ESR vs. Freq. Characteristics**



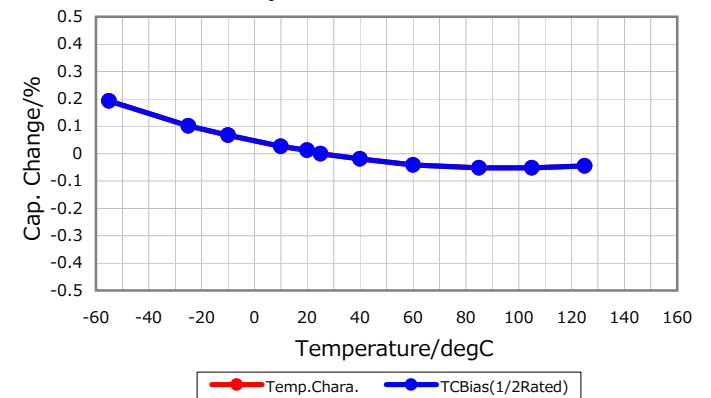
**DC Bias Characteristic**



**Cap. vs. Freq. Characteristic**



**Temperature Characteristics**



Characterization Sheet ( Multilayer Ceramic Chip Capacitors )



All specifications are subject to change without notice.

January 4, 2016