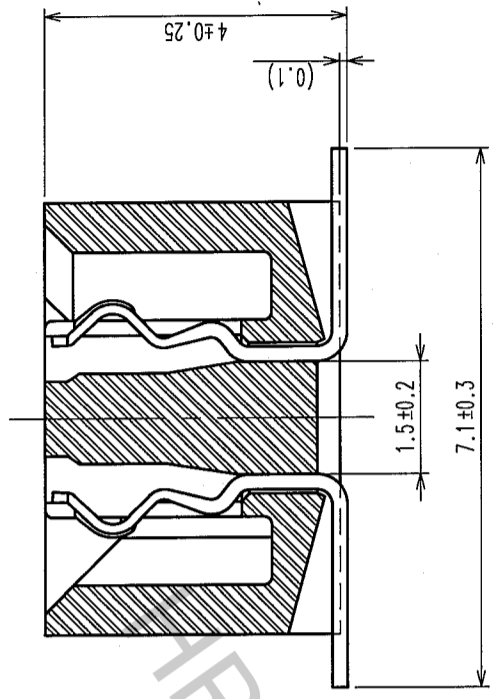


COUNT	DESCRIPTION OF REVISIONS	BY	CHKD	DATE	COUNT	DESCRIPTION OF REVISIONS	BY	CHKD	DATE
△					△				
△					△				
△					△				

A-A (10:1)

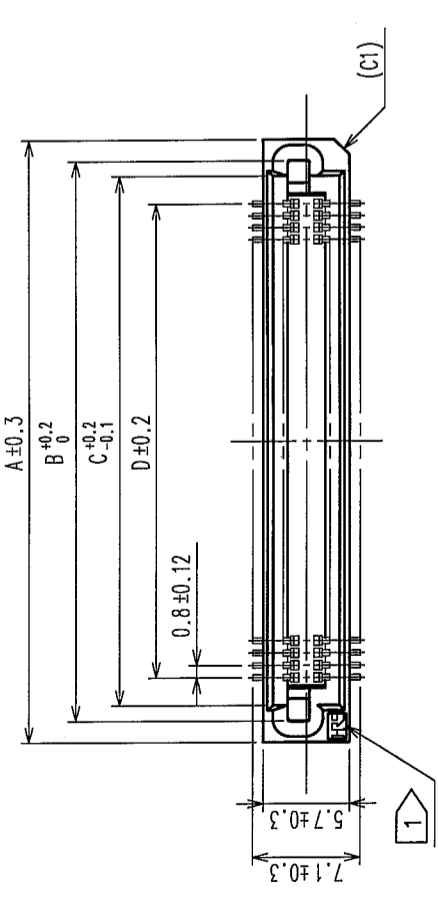


DIMENSION TABLE OF CONNECTOR AND P.C.B. LAND PATTERN

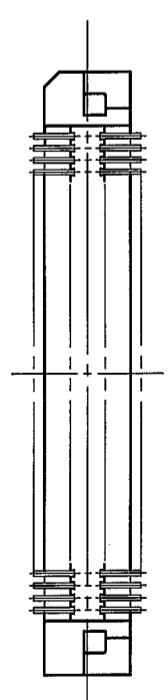
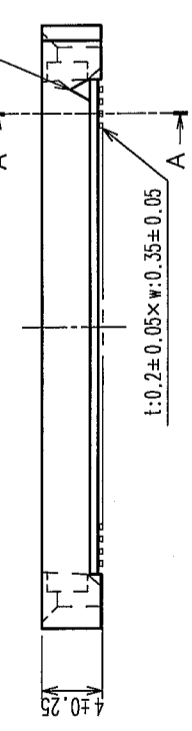
PART No.	CODE No.	6	A	B	C	D
FX6A-20S-0.8SV(93)	CL576-0301-7-93	20	15.8	12.95	10.9	7.2
FX6A-40S-0.8SV(93)	CL576-0303-2-93	40	23.8	20.95	18.9	15.2
FX6A-50S-0.8SV(93)	CL576-0304-5-93	50	27.8	24.95	22.9	19.2
FX6A-60S-0.8SV(93)	CL576-0305-8-93	60	31.8	28.95	26.9	23.2
FX6A-80S-0.8SV(93)	CL576-0307-3-93	80	39.8	36.95	34.9	31.2

- NOTE
- 1 HRS MARK SHALL BE OPTIONAL.
 - 2 LEAD CO-PLANARITY SHALL BE 0.1 MAX.
 - 3 EMBOSSED CARRIER TAPE PACKAGING SHALL BE APPLIED FOR THIS PRODUCT.
 - 4 THIS PRODUCT HAS TAPE FOR VACUUM PICKUP. SEE NEXT PAGE FOR DETAIL OF STICKING POSITION, ETC.
 - 5 FOR MODIFICATION, ETC, PREVENTIVE HOLE FOR SINK MARK MAY BE ADDED ACCORDING TO CIRCUMSTANCES.
 - 6 NUMBER OF CONTACTS.
 - 7 THE DIMENSIONS IN PARENTHESES ARE FOR REFERENCE.

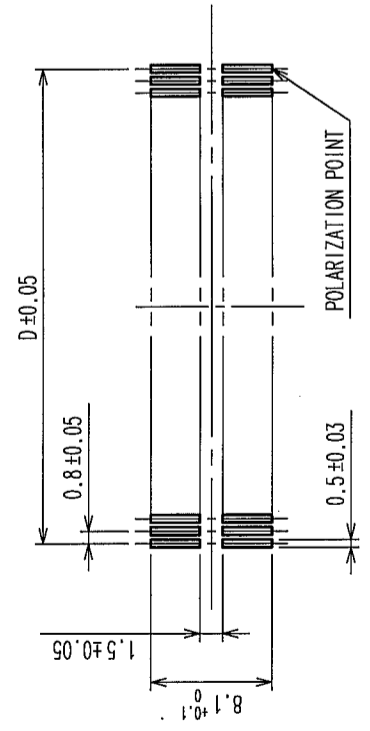
1	POLYPHENYLENE SULFIDE	LIGHT BROWN (UL94V-0)	2	PHOSPHOR BRONZE	CONTACT AREA: GOLD 0.1μm min. LEAD AREA: TIN-PLATING 1μm min. UNDER PLATING: NICKLE 2μm min.
NO.	MATERIAL	FINISH, REMARKS	NO.	MATERIAL	FINISH, REMARKS
CODE NO. (OLD)			DESIGNED	CHECKED	APPROVED
			DRAWN		RELEASED
			T. YANAGISAWA		<i>T. Yanagisawa</i>
			'05.08.04	'05.08.05	'05.08.05
DRAWING NO.	EDC3-152949-23		PART NO.	FX6A-S-0.8SV(93)	
SCALE	FREE		CODE NO.	CL576	
UNITS	mm				



POLARIZATION MARK

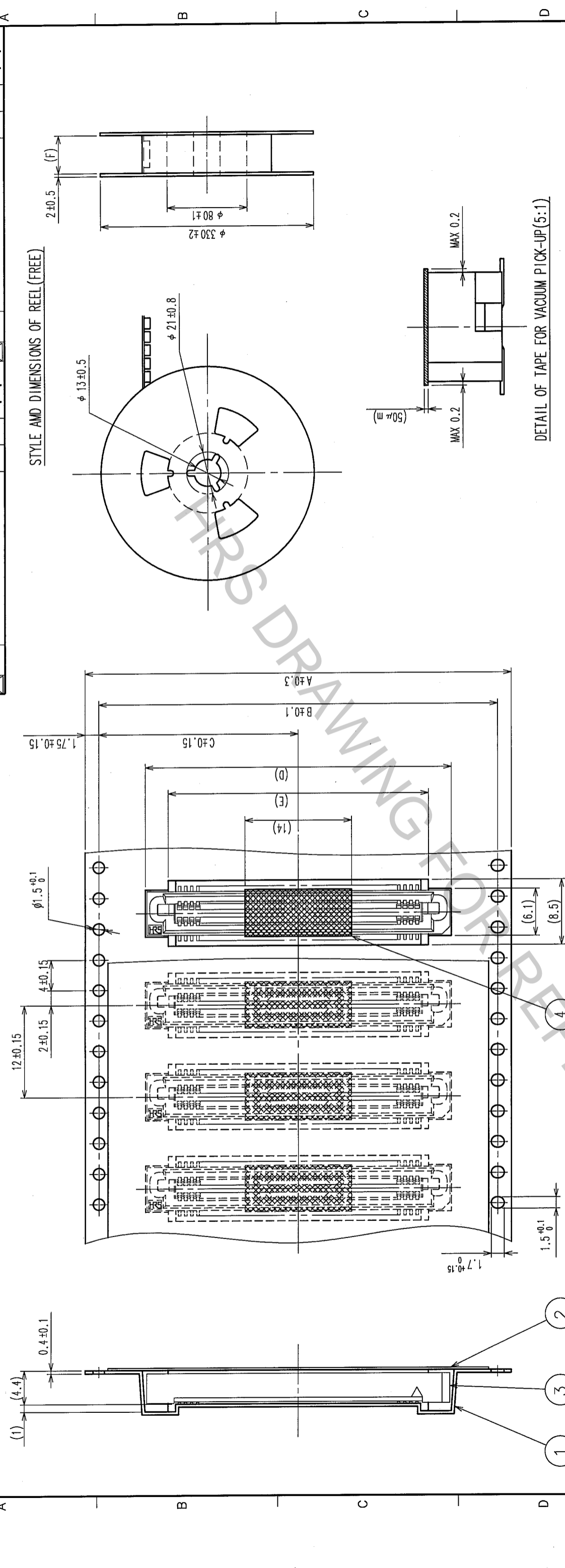


RECOMMENDED P.C.B. LAND PATTERN (MOUNT SIDE)



TO	
PCK	

COUNT	DESCRIPTION OF REVISIONS	BY	CHKD	DATE	COUNT	DESCRIPTION OF REVISIONS	BY	CHKD	DATE



DIMENSION TABLE OF EMBOSSED CARRIER TAPE AND REEL.

PART No.	CODE No.	A	B	C	D	E	F
FX6A-20S-0.8SV(93)	CL576-0301-7-93	24.0	-	11.5	16.2	10.2	24.4
FX6A-40S-0.8SV(93)	CL576-0303-2-93	44.0	40.4	20.2	24.2	18.2	44.4
FX6A-50S-0.8SV(93)	CL576-0304-5-93	44.0	40.4	20.2	28.2	20.2	44.4
FX6A-60S-0.8SV(93)	CL576-0305-8-93	44.0	40.4	20.2	32.2	26.2	44.4
FX6A-80S-0.8SV(93)	CL576-0307-3-93	56.0	52.4	26.2	40.2	34.2	58.0

NO.	MATERIAL	FINISH, REMARKS	NO.	MATERIAL	FINISH, REMARKS
2	POLYESTER	COVER TAPE	4	POLYIMIDE	TAPE FOR VACUUM PICK-UP
1	POLYSTYRENE	EMBOSSED CARRIER TAPE	3		(CONNECTOR)

CODE NO. (OLD)

DESIGNED	CHECKED	APPROVED	RELEASED
T. YANAGISAWA	K. Ogawa	H. Okawa	
'05.08.04	'05.08.05	'05.08.05	

DRAWING NO. EDC3-152949-23 PART NO. FX6A-S-0.8SV(93)

SCALE FREE

UNITS mm

HIROSE ELECTRIC CO., LTD. CODE NO. CL576

NOTE 1 THE DIMENSIONS IN PARENTHESES ARE FOR REFERENCE.
2 REEL : 1000 CONNECTORS.
3 NUMBER OF CONTACTS.

TRAILER (REEL: 1000 CONNECTORS)

EQUIPPED

LEADER (400mm MIN.)

COVER TAPE

EMBOSSED CARRIER TAPE

10 EMPTY COMPONENT COMPARTMENT MIN.

10 EMPTY COMPONENT COMPARTMENT MIN.