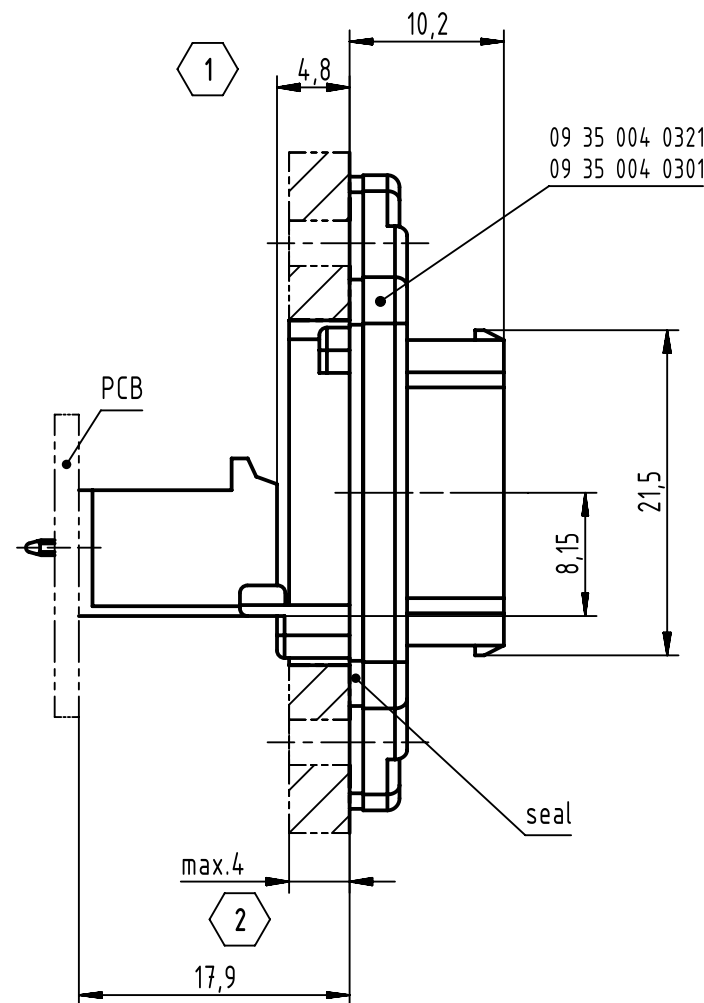
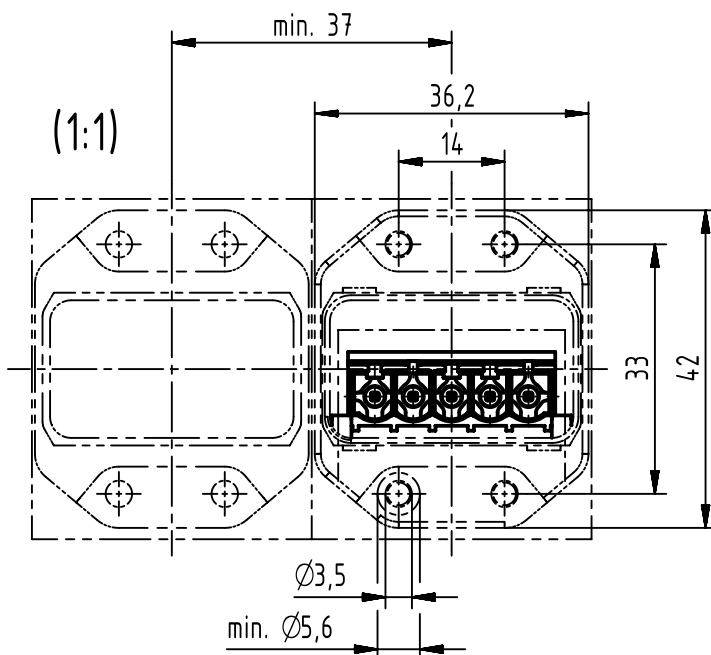
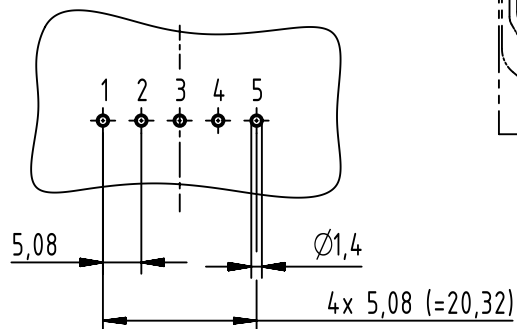


PCB-Layout
(1:1)



09 35 004 0321
09 35 004 0301

- 1 related to male insert
- 2 related to PCB

	All Dimensions in mm Original Size DIN A4		Scale 2:1	Free size tol.		Ref. Sub. TB 09 35 004 3004 36488 21.02.12		
			Created by ELLERMANN	Inspected by DAHMS	Standardisation HOFFMANN	Date 2014-03-20	State Final Release	
			Title Han PP Power L male insert solder straight				Doc-Key / ECM-Nr. 100224798/UGD/001/B 500000072516	
HARTING Electronics GmbH D-32339 Espelkamp			Type TB	Number 09350043004			Rev. B	Page 1/1