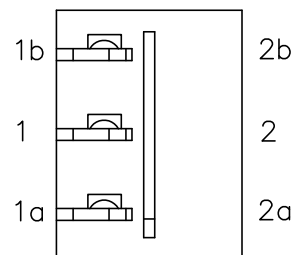
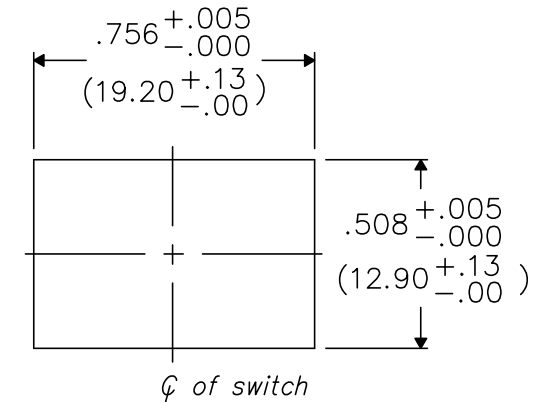
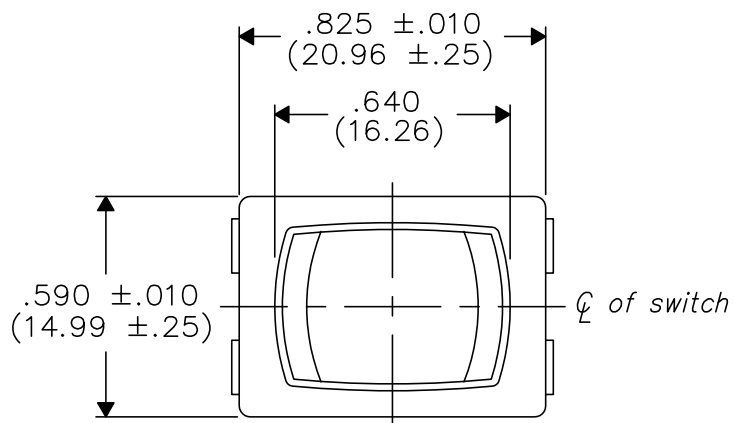


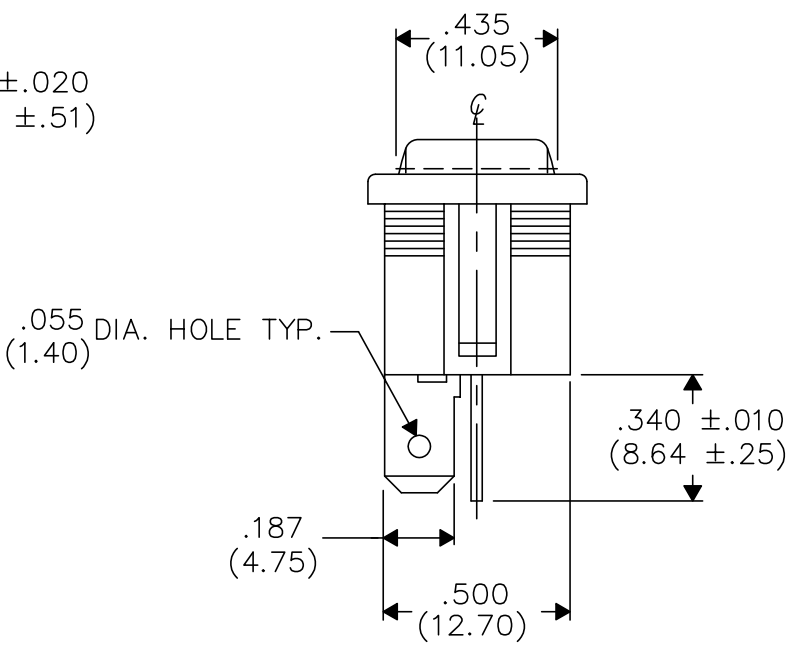
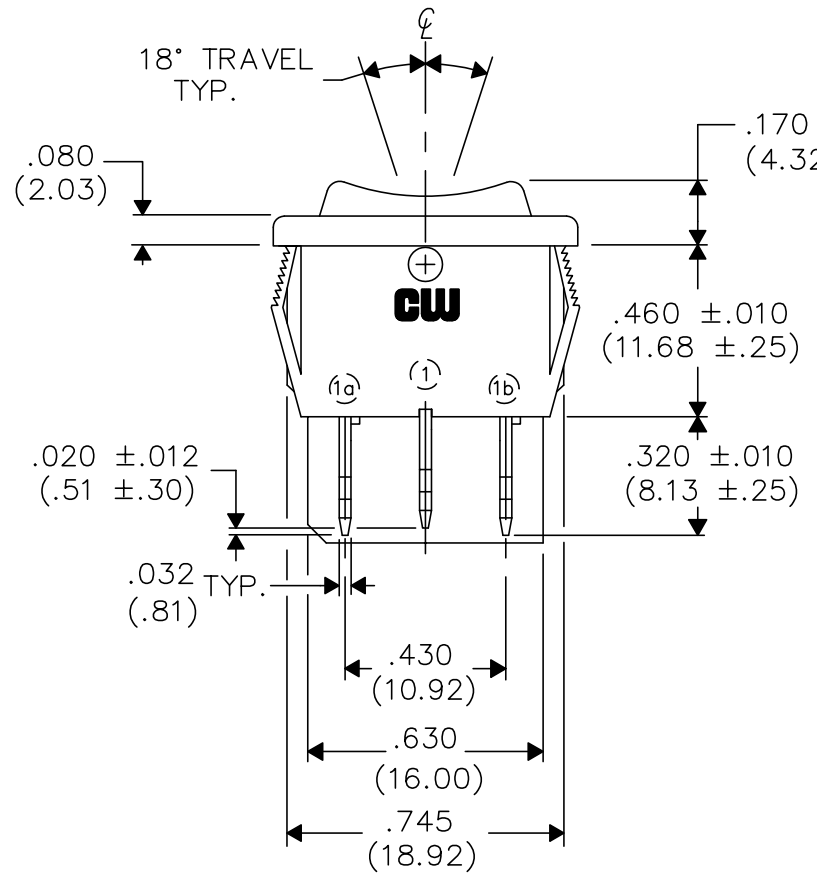
DIMENSIONS IN INCHES (MILLIMETERS)
DO NOT SCALE DRAWING

Dwg. No.
GRS-4013C-1300



PANEL PIERCING

BOTTOM VIEW



1	2	3	4	5	6	7	8	9	10
---	---	---	---	---	---	---	---	---	----

FORM-B4	REVISIONS	0	
		RELEASED.	
		DGW 1-25-2002	
		CH 1-25-2002	

PDF File Made (QRO)	CW INDUSTRIES Southampton, Pa. 18966	Title: ASSEMBLY ROCKER SWIDGET S.P.— CENTER OFF (MOM.—OFF—MOM.)
	TOLERANCES UNLESS OTHERWISE SPECIFIED	
	2 Place Decimal ±.010	METRIC
	3 Place Decimal ±.005	1 Place Dec. ±.25mm
	Angles ±1°	2 Place Dec. ±.13mm
	Made for: CW IND.	Division: SWITCH
Drawn by: DGW 1-25-2002	Dwg. No. GRS-4013C-1300	
Checked by: CH		
Approval: CH 1-25-2002		