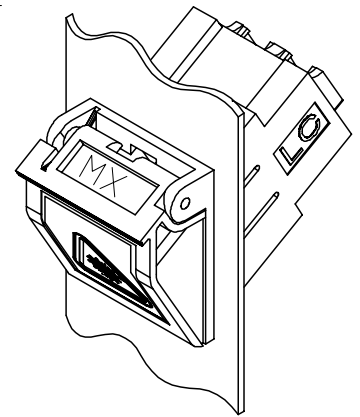
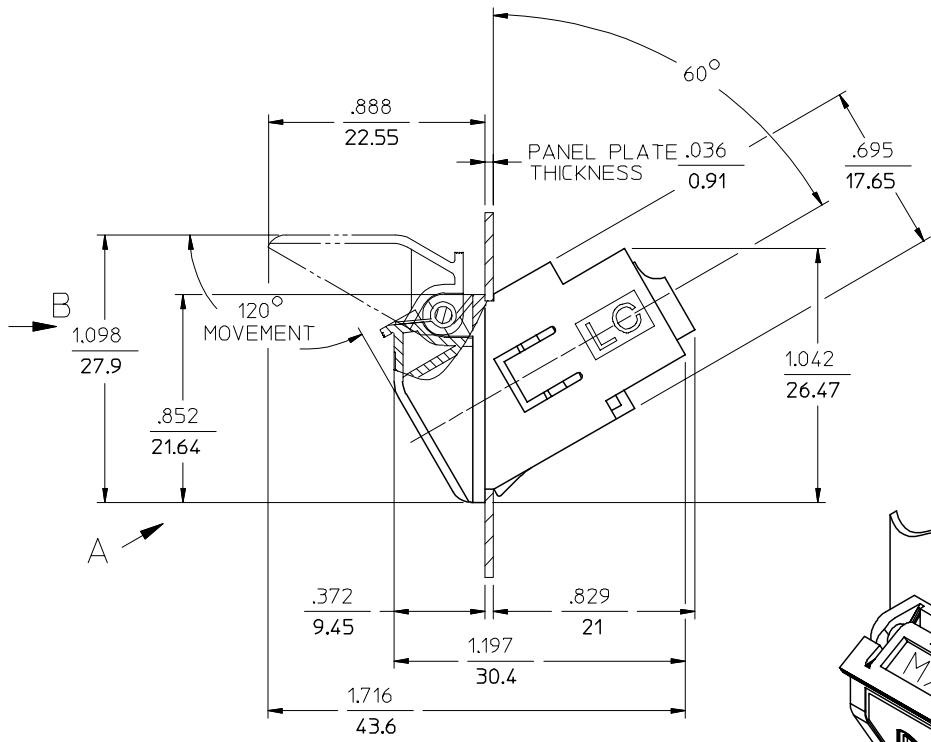
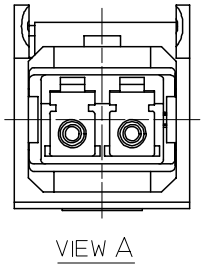
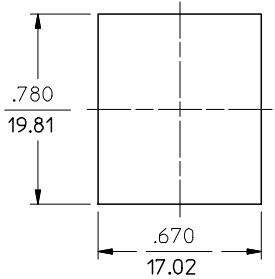
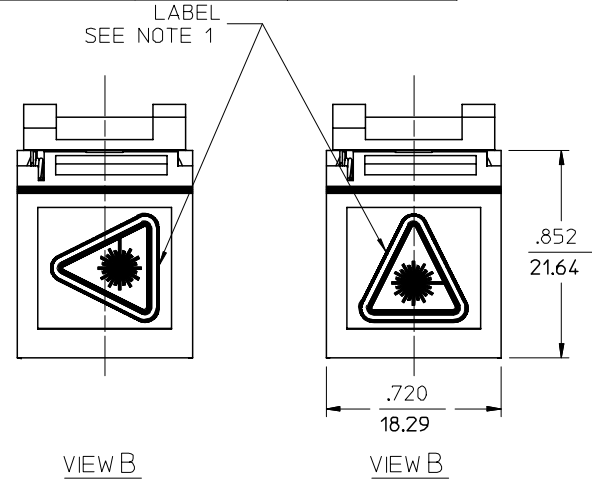


KIT P/N	BEZEL FRAME/DOOR COLOR	DOOR TYPE	SLEEVE MATERIAL
106004-3576	METAL/METAL	NO LOGO	ZIRCONIA
106004-3577			PHOSPHOR BRONZE
106004-3575	METAL/BLACK	MX LOGO	ZIRCONIA
106004-3578	METAL/METAL		PHOSPHOR BRONZE
106004-3579			PHOSPHOR BRONZE



ISOMETRIC VIEW

NOTES:  
1. LABEL TO BE INSTALLED BY CUSTOMER.

ENTER DESCRIPTION EC NO: MF2006-0262 DRW: RPACIFIC 2005/12/01 CHKD: 2005/12/01 APPR: IGUMIN 2005/12/01 REV A	QUALITY SYMBOLS ▽=0 ▽=0	GENERAL TOLERANCES (UNLESS SPECIFIED) <table border="1"> <thead> <tr> <th></th> <th>mm</th> <th>INCH</th> </tr> </thead> <tbody> <tr> <td>4 PLACES</td> <td>± .005</td> <td>± .0005</td> </tr> <tr> <td>3 PLACES</td> <td>± .005</td> <td>± .0005</td> </tr> <tr> <td>2 PLACES</td> <td>± .005</td> <td>± .0005</td> </tr> <tr> <td>1 PLACE</td> <td>± .005</td> <td>± .0005</td> </tr> </tbody> </table> ANGULAR ±1/2°		mm	INCH	4 PLACES	± .005	± .0005	3 PLACES	± .005	± .0005	2 PLACES	± .005	± .0005	1 PLACE	± .005	± .0005	DIMENSION STYLE IN/MM DRAWN BY: RPACIFIC DATE: 2005/10/20 CHECKED BY: _____ DATE: _____ APPROVED BY: _____ DATE: _____	SCALE 2:1 DESIGN UNITS INCH THIRD ANGLE PROJECTION	TITLE METALIZED LC BEZEL ADAPTER KITS WITH PUSH TAB MOLEX INCORPORATED
		mm	INCH																	
	4 PLACES	± .005	± .0005																	
	3 PLACES	± .005	± .0005																	
2 PLACES	± .005	± .0005																		
1 PLACE	± .005	± .0005																		
DRAFT WHERE APPLICABLE MUST REMAIN WITHIN DIMENSIONS	MATERIAL NO. SEE TABLE	DOCUMENT NO. SD-106004-357X	SHEET NO. 1 OF 1																	
THIS DRAWING CONTAINS INFORMATION THAT IS PROPRIETARY TO MOLEX INCORPORATED AND SHOULD NOT BE USED WITHOUT WRITTEN PERMISSION																				