

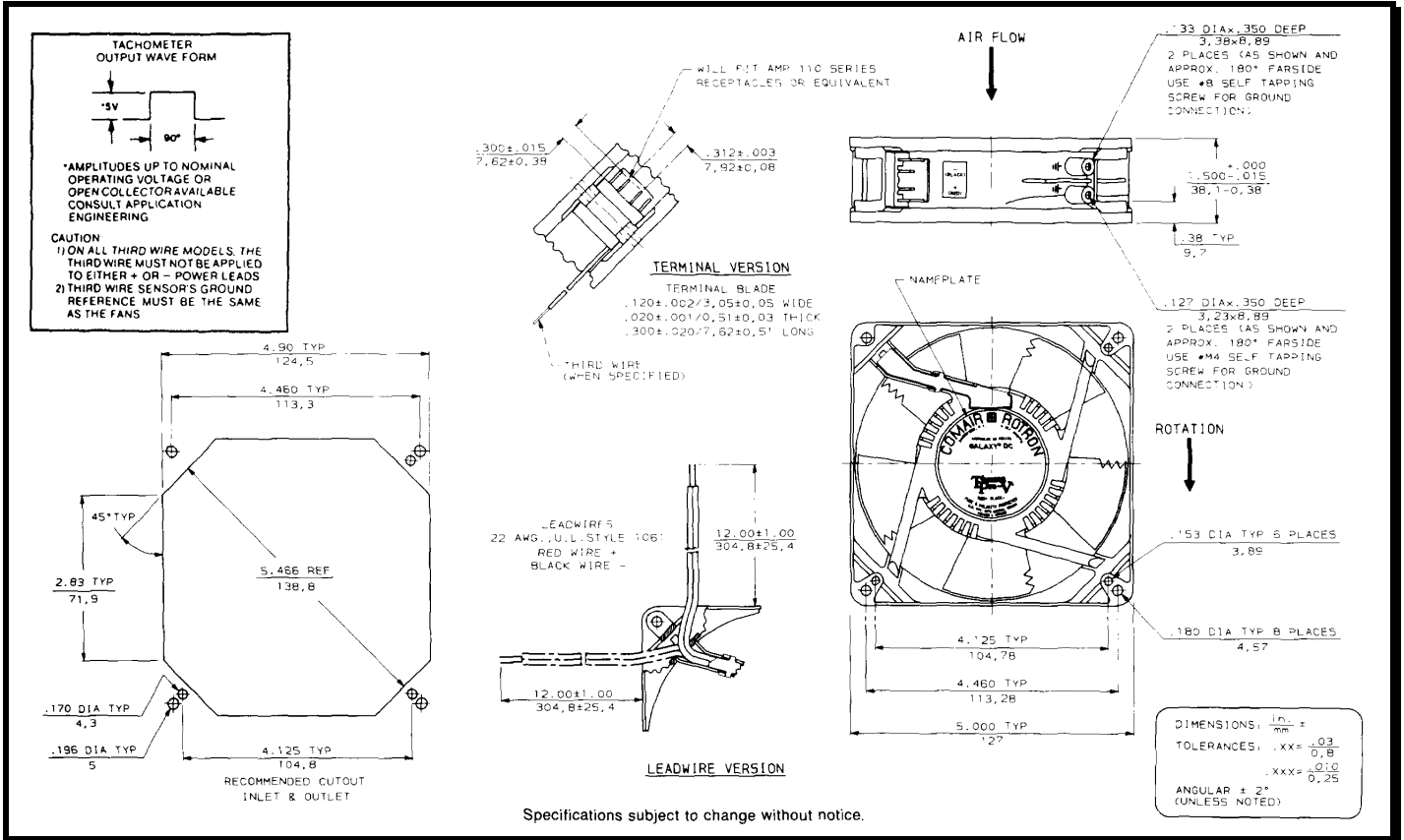
SPECIFICATIONS



Model Number: GL48R7
Part Number: 19031239A

March 3, 2006

Mechanical Drawing:



Motor:

Nominal Voltage = 48 vdc
 Operating Voltage Range = 24 - 56 vdc
 Nominal Running Current = 0.310 amps
 Locked Rotor Current = 0.930 amps
 Running Power = 15.0 watts
 Average Speed = 3250 rpm
 Bearings = Ball
 Air Flow = 150 CFM
 Acoustic = 53.6 dBA

Construction:

Venturi: Die Cast Aluminum, Black
 Propeller: Plastic, Black, UL 94V-0

Agency Approvals:

UL, CE

Life Expectancy:

This fan is designed for continuous duty life of 82,500 hours at 50°C.

Additional Features:

Brushless DC Motor
 Polarity Protected
 Locked Rotor Protection
 Automatic Restart Capability
 Operating Temperature: -10°C to 70°C
 Storage Temperature: -40°C to 85°C
 Programmable

Tachometer:

Output: 5V TTL Compatible
 I_c : 10 mA Typical
 Isolated: No
 Pulses per Revolution: Two

Termination:

12" Lead wires, AWG 22, UL 1061
 Red = Power (+)
 Black = Ground (-)
 Blue/White = Tachometer
 Yellow = Program Lead