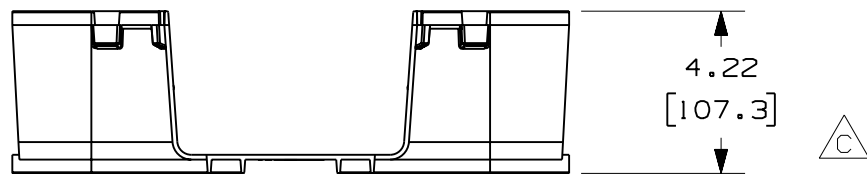
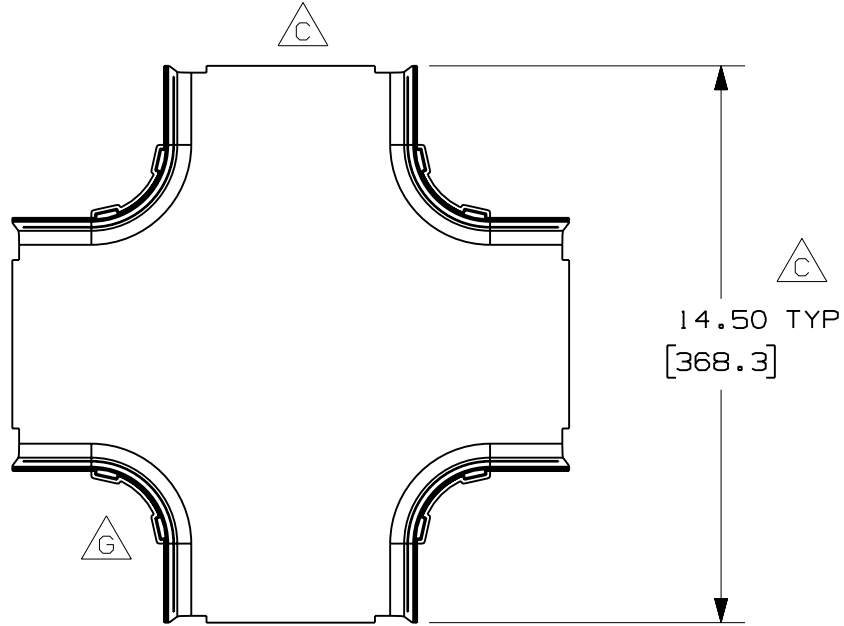


THIS COPY IS PROVIDED ON A RESTRICTED BASIS AND IS NOT TO BE USED IN ANY WAY DETRIMENTAL TO THE INTERESTS OF PANDUIT CORP.

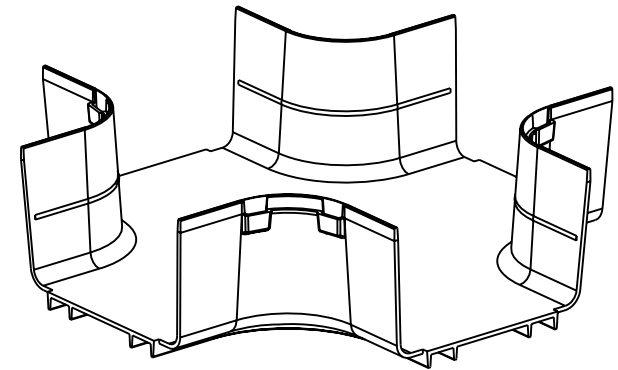


PANDUIT PART NUMBER	WEIGHT
FRFWC6X4	1.43 LB/EACH (648g/EACH)



NOTES:

1. SEE CURRENT CATALOG FOR ADDITIONAL PART SUFFIXES TO INDICATE COLOR AND/OR PACKAGE QUANTITY.
2. THE FIBERRUNNER 6x4 FOUR-WAY CROSS FITTING IS DESIGNED WITH A MINIMUM 2" (50.8) BEND RADIUS TO PROTECT FIBER OPTIC CABLES.
3. DIMENSIONS IN PARENTHESES ARE IN METRIC.



ENG. REF.: D37185FA_DC_FRFWC6X4_01.prt

CAD FILENAME/LAYERS

FRFWC6X4.pdf

REV	DATE	BY	CHK	DESCRIPTION	ECN	R	CUST	SUP	GMBH
-	-----	---	---	H. REVISED GENERAL NOTES	-----	--	--		
-	-----	---	---	G. REVISED DRAWING VIEWS F. REVISED PART WEIGHT	-----	--	--		
2	6-27-06	DTP	RN	E. REVISED DRAWING TITLE D. REVISED CAD FILENAME	37185-73	RN	RN		
-	-----	---	---	C. REVISED ALL DIMENSIONS TO CURRENT STANDARDS	-----	---	---		
1	1-17-01	JHNU	HIW	B. ADDED DIM. TOLERANCE A. REVISED DRAWING TITLE	37185-73	HIW	HIW		
R	5-5-00	REWE	SMF	RELEASED TO PRODUCTION	37185-73	HIW	HIW		

PANDUIT CORP		TINLEY PARK, ILLINOIS	
FIBERRUNNER 6x4 FOUR-WAY CROSS FITTING (FRFWC6X4)			
CUSTOMER DRAWING			
UNLESS OTHERWISE SPECIFIED, DIMENSIONAL TOLERANCES ARE: (.X) ± (.XX) ± .03 (.8)		UNLESS OTHERWISE SPECIFIED, ALL DIMENSIONS ARE GIVEN IN INCHES, THIRD ANGLE PROJECTION.	
DRAWN BY REWE		ABS	
DATE 5-5-00			
CHK'D SMF			
SCALE NONE		DRAWING NO. 37185-73	
		DWG A SIZE	