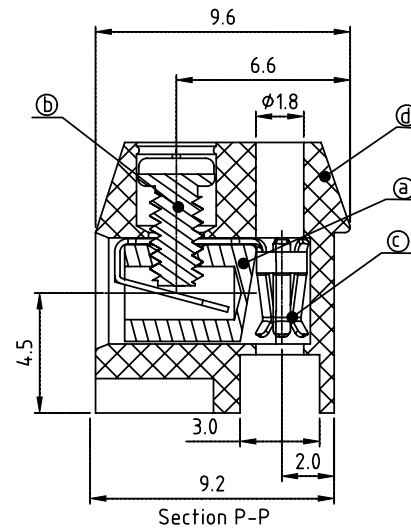
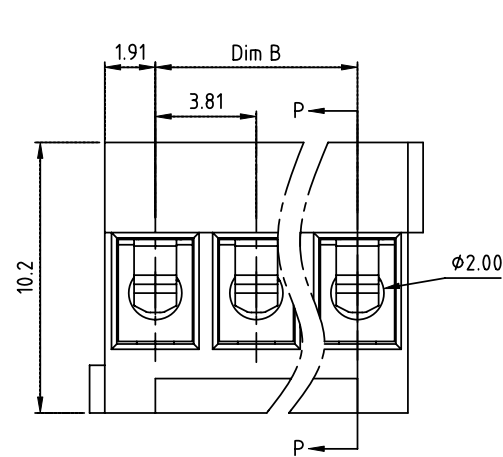
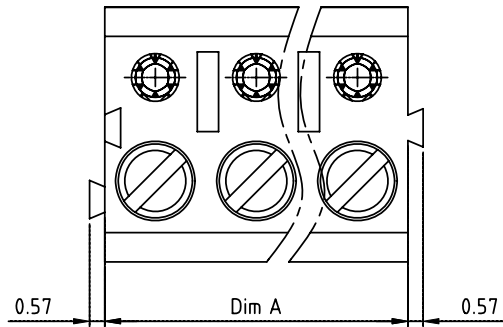


PRODUCT NUMBER	PITCH
THxx41x100J0G	3.81 mm



Material

- Item (a) Clamp: Brass(CuZn) Ni plated
- Item (b) Terminal screw: Steel Zinc plating "-" slot type
- Item (c) Female contact :PhBz (CuSn) Tin plated
- Item (d) Terminal housing : Thermoplastic (UL94V-0)

Electrical cULus

- Voltage rating: 300V
- Current rating: 10A
- Wire range:
- Solid wire(AWG): 16-28
- Stranded wire(AWG): 16-28
- Torque: 1.7Lb-In
- Screw: M2
- Wire strip length: 5-6mm
- Withstanding Voltage: 1.6KV
- Operating temperature: -40°C to +115°C
- Safety approval:

PART NO.: TH xx 41 x 1 00J0 G

DimA=N×3.81  
DimB=(N-1)×3.81  
N = Number of poles

POLES	Tolerance
4p-6p	±0.10
7p-12p	±0.15
13p-18p	±0.20
19p-24p	±0.30

- |              |   |                   |                 |
|--------------|---|-------------------|-----------------|
| Solid block  | 0 | Body Color        | RoHS compliant  |
| No. of poles | 2 | Black (RAL9005)   | (lead<4%)       |
| 04 4 poles   | 3 | Red (RAL3001/D)   | In copper Alloy |
| 05 5 poles   | 4 | Orange(RAL2011/P) |                 |
| ...          | 4 | Yellow(RAL1018/A) |                 |
| 24 24 poles  | 5 | Green(RAL6018/T)  |                 |
|              | 6 | Blue (RAL5015/A)  |                 |
|              | 8 | Grey(RAL7035/D)   |                 |
|              | 9 | White(RAL1102)    |                 |
|              | C | Green(RAL6018/U)  |                 |

mat'l. code				surface ASME Y14.5 ✓	tolerance ASME Y14.5	projection 	product family TERMINAL BLOCK
ltr	ecn	no	dr	tolerances unless otherwise specified		MM	title TERMINAL BLOCK
				angles in	X.±0.5		PLUGGABLE,180D WIRE INLET,SOLID BLOCK
				X*±1*	X.X±0.3	scale	PLUGGABLE,180D WIRE INLET,SOLID BLOCK
				dr	EVIN ZHONG 041614		dwg no
				enr	EVIN ZHONG 041614		sheet 1 of 1
				chr	HANKE FENG 041614		size
				appd	SHI JUN 041614		A4
sheet index	revision	A					type CUSTOMER Drawing
	sheet	1					