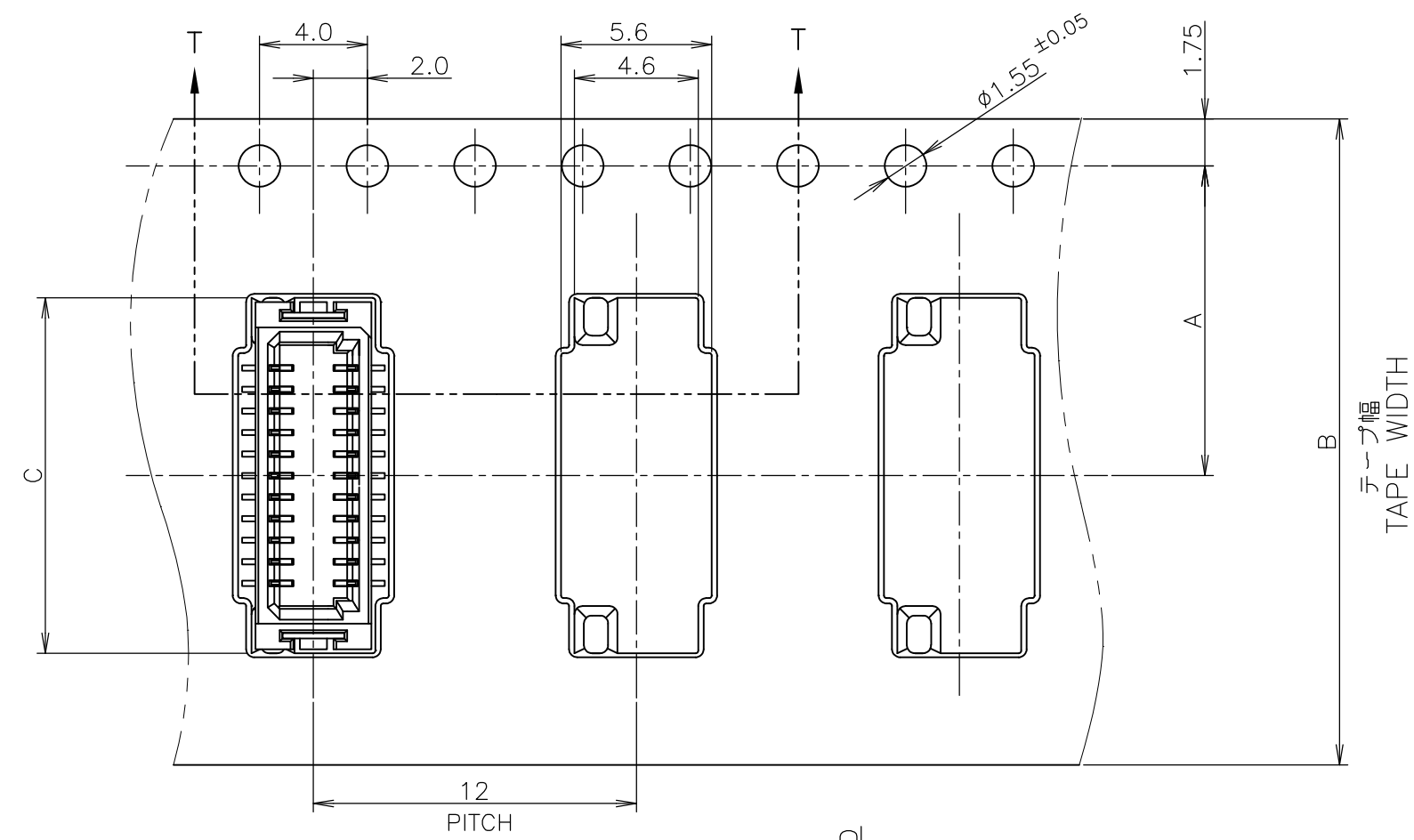


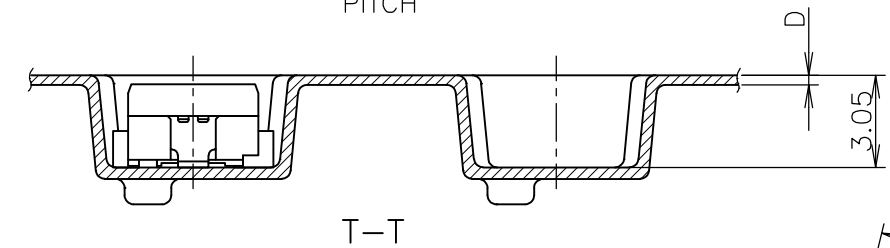
THIS DRAWING IS UNPUBLISHED. RELEASED FOR PUBLICATION DEC. 2004.
 © COPYRIGHT 2004 By - ALL RIGHTS RESERVED.

LOC	DIST	REVISIONS					
J		P	LTR	DESCRIPTION	DATE	DWN	APVD
		A		RELEASED ECR-13-007731	20MAY2013	I.T	S.Y

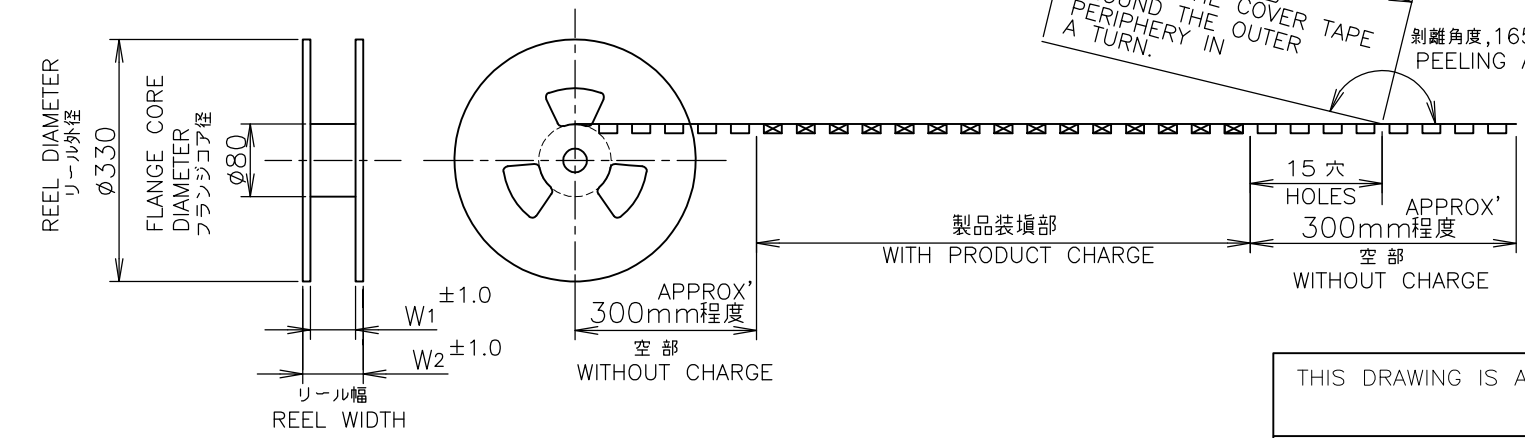
1- -0: 本図
 1- -0: AS SHOWN



引出し方向
 TOP OF REEL →



カバーテープ
 リーダー部
 外周一巻
 WEEDING AROUND THE COVER TAPE PERIPHERY IN A TURN.
 剥離角度, 165°~180°
 PEELING ANGLE.



OBSOLETE	22.0	18.0	0.5	8.4	16	7.5	100	10	1-5917407-0
	W ₂	W ₁	D	C	B	A	数量 (ヶ) QTY/REEL	極数 POS	リール巻 コネクタ型番 TAPING P/N
DIMENSIONS									

THIS DRAWING IS A CONTROLLED DOCUMENT.

DWN	M.IWASAKI	27DEC04	STE TE Connectivity			
CHK	Y.NAKAZAWA	27DEC04				
APVD	T.KUSUHARA	27DEC04				
PRODUCT SPEC	製品規格					
APPLICATION SPEC	取付適用規格		NAME 名称			
ON TAPING EMBOSS 0.8mm PITCH FINE MATE CONN TAB ASSEMBLY WITH BOSS V-TYPE			RESTRICTED TO			
MATERIAL 材料	FINISH 仕上	WEIGHT	SIZE	CAGE CODE	DRAWING NO 番号	RESTRICTED TO
CUSTOMER DRAWING			A3	00779	G-5917407	
SCALE 尺度 4:1			SHEET 1 OF 4	REV A		

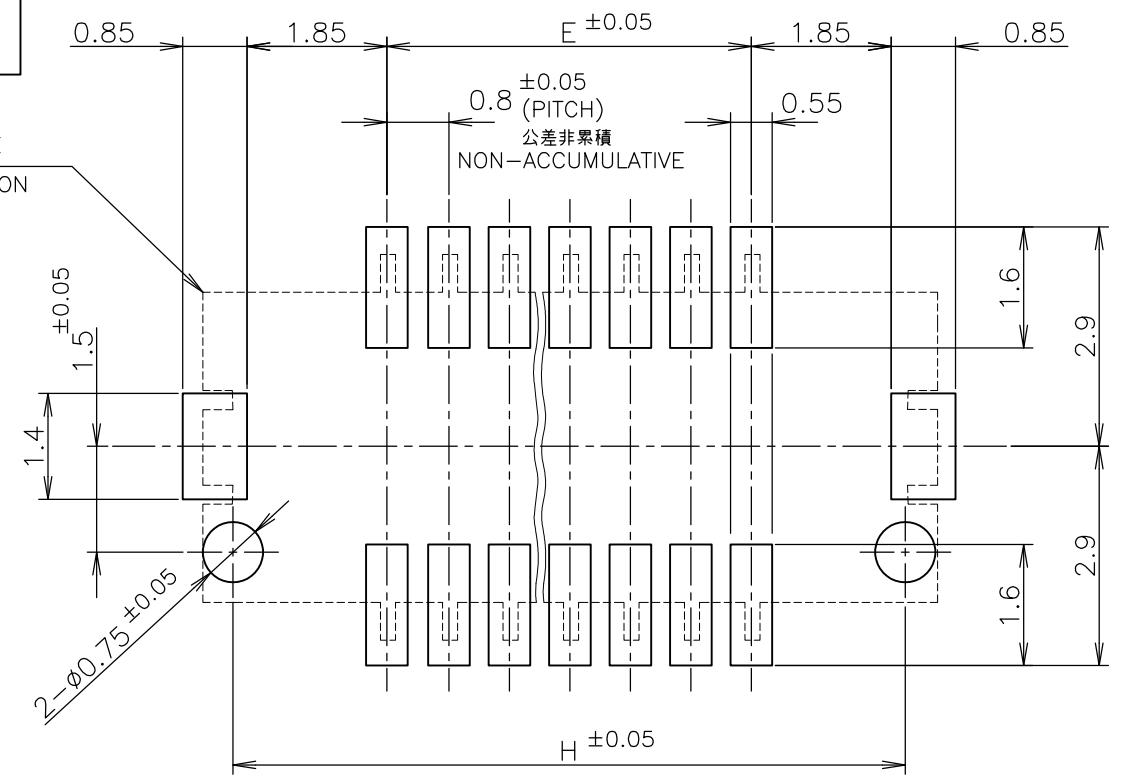
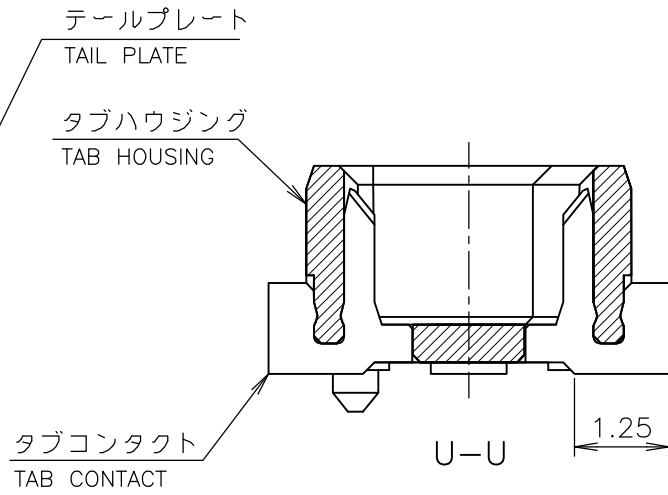
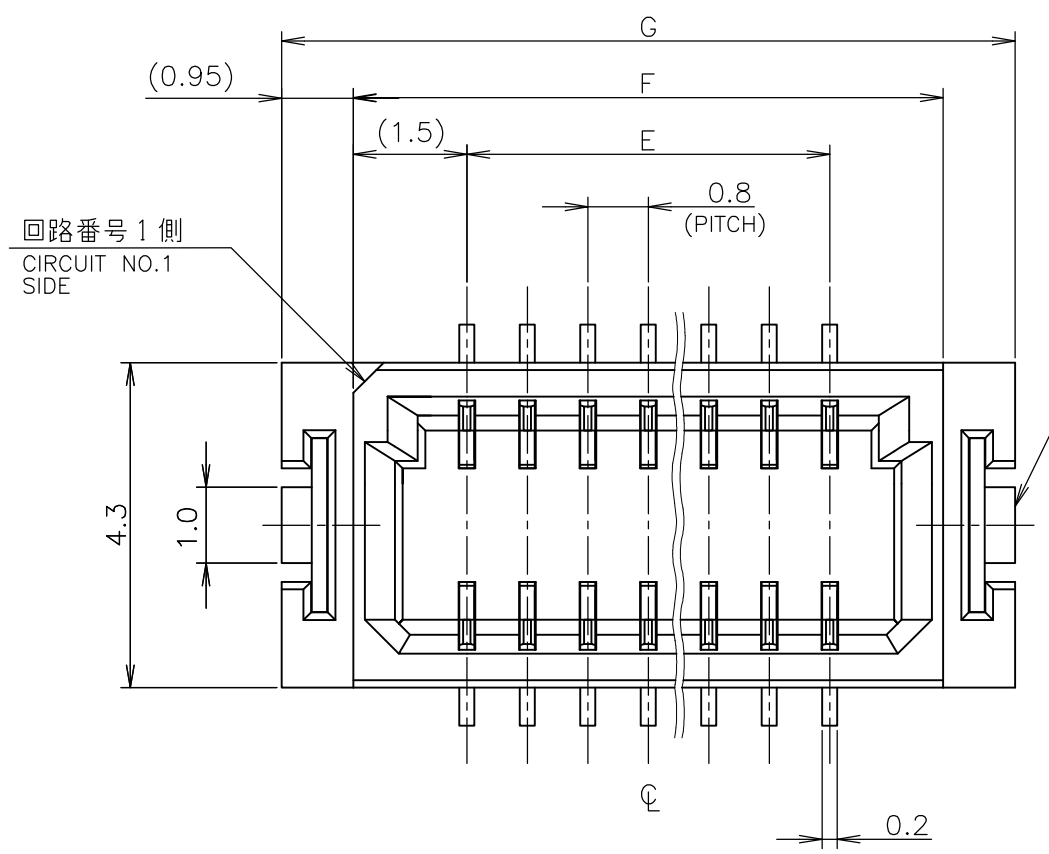
GENERAL TOLERANCE
 一般公差

10 ≥ : ±0.2
 30 ≥ > 10: ±0.25
 100 ≥ > 30: ±0.3
 ANGLES: ±3°

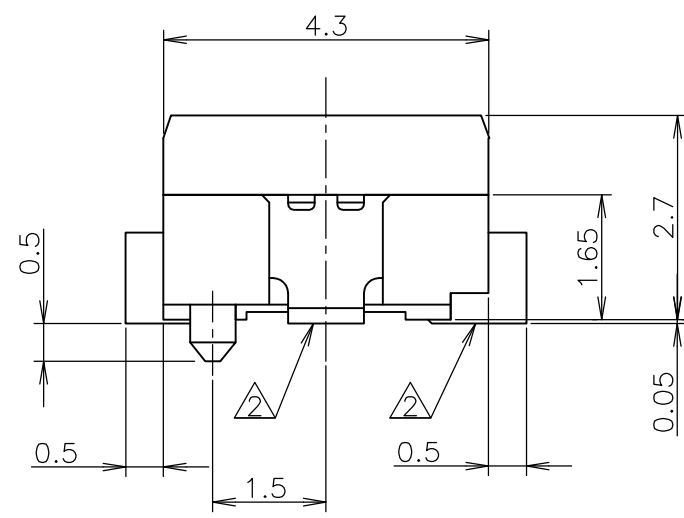
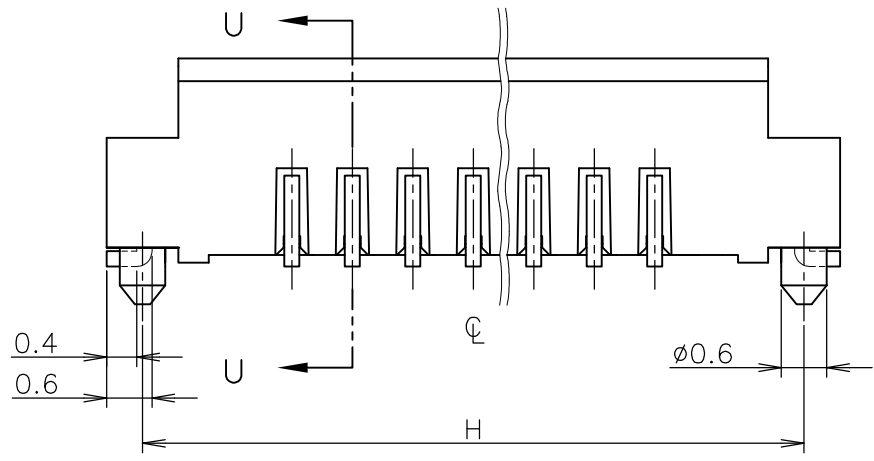
THIS DRAWING IS UNPUBLISHED. RELEASED FOR PUBLICATION DEC. 2004.
 © COPYRIGHT 2004 By - ALL RIGHTS RESERVED.

LOC		DIST		REVISIONS		
J				変更		
P	LTR	DESCRIPTION		DATE	DWN	APVD
-	-	SEE SHEET 1		-	-	-

本図: 1- -0 コネクタ図
 AS SHOWN: 1- -0
 CONNECTOR DWG



参考基板加工寸法
 REFERENCE P.C BOARD LAYOUT



- 1 材料: タブハウジング: 46ナイロン (耐熱性樹脂)
- タブコンタクト: 銅合金 (t=0.2mm) 金めっき
- テールプレート: 銅合金 (t=0.2mm) 錫めっき

△ 全てのタイン部及びテールプレートのバラツキは 0.1mm MAX.

- 1 MATERIAL
- TAB HOUSING: 46 NYLON (HIGH HEAT-RESISTED RESIN)
- TAB CONTACT: COPPER-ALLOY (t=0.2mm) Au PLATING
- TAIL PLATE: COPPER-ALLOY (t=0.2mm) TIN PLATING

△ MISALIGNMENT BETWEEN TAINS AND TAIL PLATE: 0.1mm MAX.

GENERAL TOLERANCE 一般公差

10 ≥	±0.2
30 ≥ > 10	±0.25
100 ≥ > 30	±0.3
ANGLES: ±3°	

THIS DRAWING IS A CONTROLLED DOCUMENT.

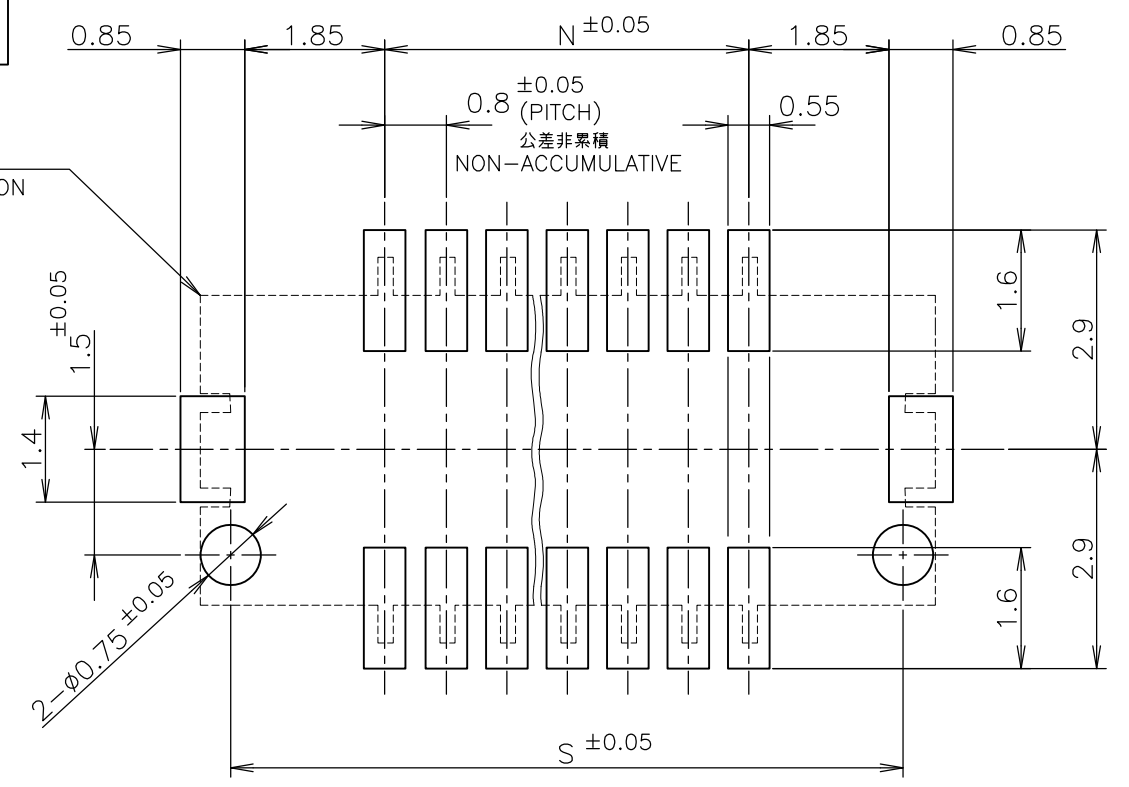
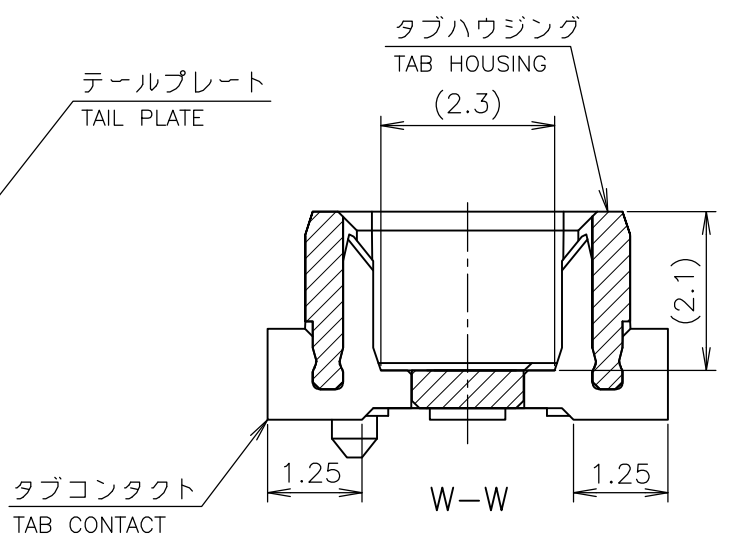
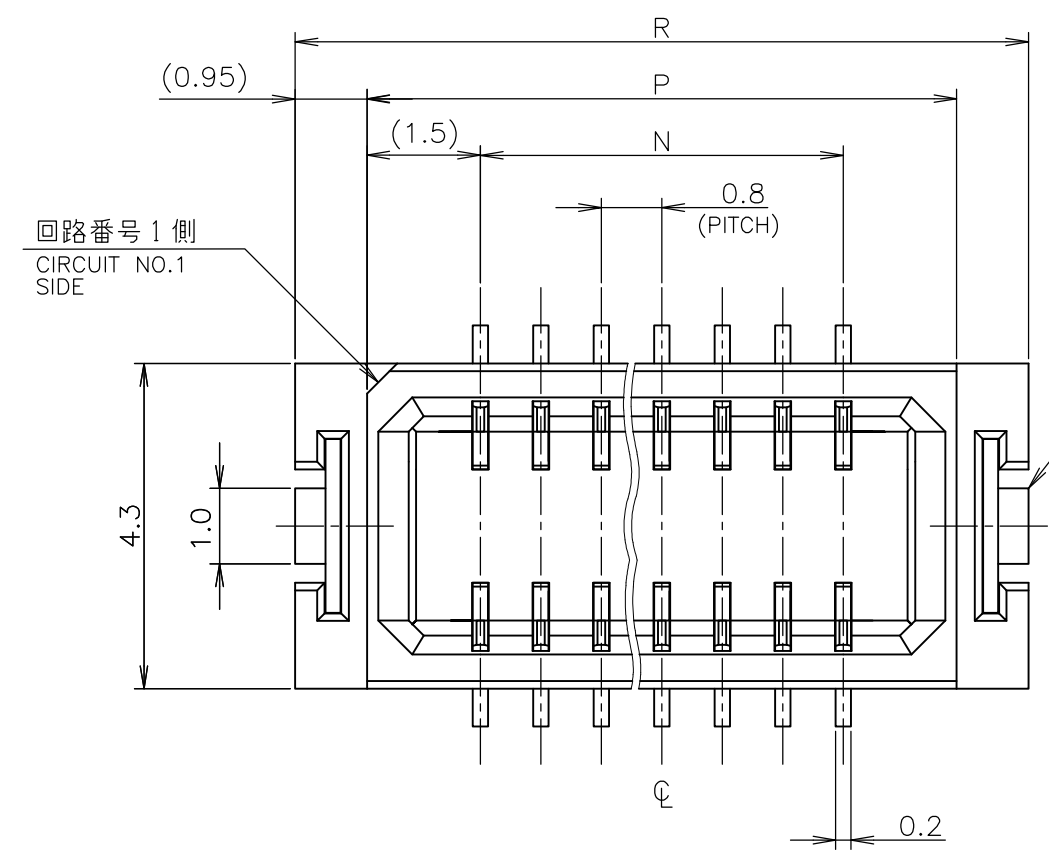
DIMENSIONS:	TOLERANCES UNLESS OTHERWISE SPECIFIED:
単位: 耗 mm	一般公差
	0 PLC ±
	1 PLC ±
	2 PLC ±
	3 PLC ±
	4 PLC ±
ANGLES	±
MATERIAL 材料	FINISH 仕上

INSTRUCTION SHEET 取扱説明書	7.15	8.1	6.2	3.2	10	1-5917407-0
411-5808	H	G	F	E	極数 POS	型番 PART NO
DWN	TE Connectivity ON TAPING EMBOSS 0.8mm PITCH FINE MATE CONN TAB ASSEMBLY WITH BOSS V-TYPE					
CHK						
APVD						
NAME 名称						
PRODUCT SPEC 製品規格	SIZE	CAGE CODE	DRAWING NO 番号	RESTRICTED TO		
APPLICATION SPEC 取付適用規格	A3	00779	C-5917407	-		
WEIGHT	CUSTOMER DRAWING					
SCALE 尺度 10:1				SHEET 2 OF 4		REV A

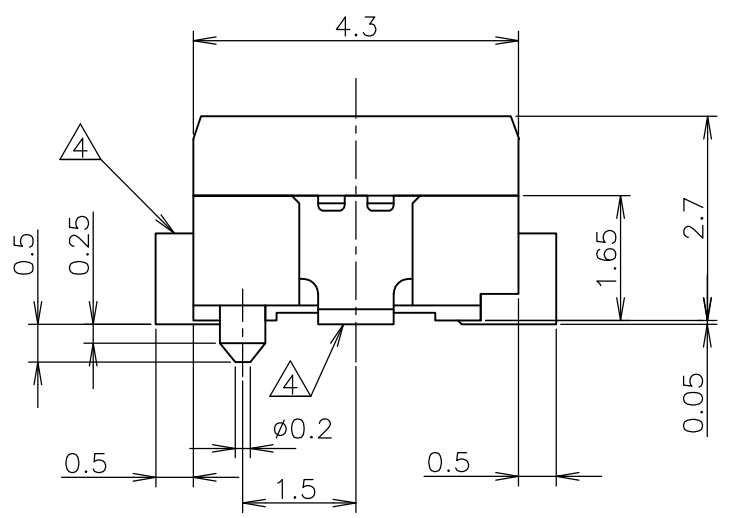
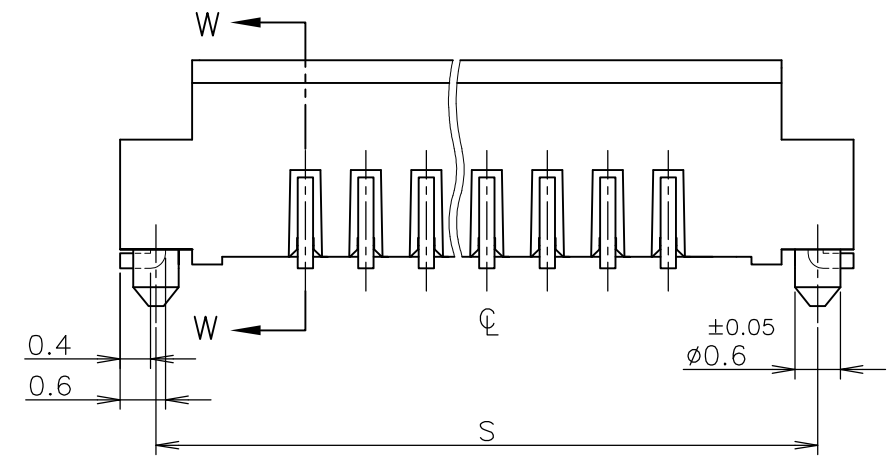
THIS DRAWING IS UNPUBLISHED. RELEASED FOR PUBLICATION DEC. 2004.
 © COPYRIGHT 2004 By - ALL RIGHTS RESERVED.

LOC	DIST	REVISIONS		
J		変更	DATE	DWN
P	LTR	DESCRIPTION		APVD
-	-	SEE SHEET 1	-	-

本図: 2- -2 コネクタ図
 AS SHOWN: 2- -2
 CONNECTOR DWG



参考基板加工寸法
 REFERENCE P.C BOARD LAYOUT



3 材料: タブハウジング: 46ナイロン (耐熱性樹脂)
 タブコンタクト: 銅合金 (t=0.2mm) 金めっき
 テールプレート: 銅合金 (t=0.2mm) 錫めっき

△ 全てのタイン部及びテールプレートのバラツキは 0.1mm MAX.

3 MATERIAL
 TAB HOUSING: 46 NYLON (HIGH HEAT-RESISTED RESIN)
 TAB CONTACT: COPPER-ALLOY (t=0.2mm) Au PLATING
 TAIL PLATE: COPPER-ALLOY (t=0.2mm) POST TIN PLATING

△ MISALIGNMENT BETWEEN TAINS AND TAIL PLATE: 0.1mm MAX.

GENERAL TOLERANCE 一般公差

10 ≥ :	±0.2
30 ≥ > 10:	±0.25
100 ≥ > 30:	±0.3
ANGLES:	±3°

THIS DRAWING IS A CONTROLLED DOCUMENT.

DIMENSIONS: 単位: 耗 mm	TOLERANCES UNLESS OTHERWISE SPECIFIED: 一般公差
0 PLC ±	1 PLC ±
2 PLC ±	3 PLC ±
4 PLC ±	ANGLES ±
MATERIAL 材料	FINISH 仕上

INSTRUCTION SHEET 取扱説明書	11.95	12.9	11.0	8.0	22	2-5917407-2
411-5808	S	R	P	N	極数 POS	型番 PART NO
DWN	TE Connectivity					
CHK						
APVD	NAME 名称					
PRODUCT SPEC 製品規格	ON TAPING EMBOSS					
108-5512	0.8mm PITCH FINE MATE CONN					
APPLICATION SPEC 取付適用規格	TAB ASSEMBLY WITH BOSS V-TYPE					
WEIGHT	SIZE	CAGE CODE	DRAWING NO 番号	RESTRICTED TO		
	A3	00779	C-5917407	-		
CUSTOMER DRAWING	SCALE 尺度	10:1	SHEET	4 OF 4	REV	A