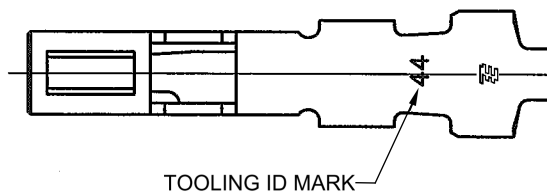
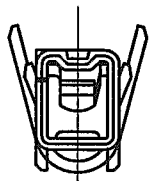
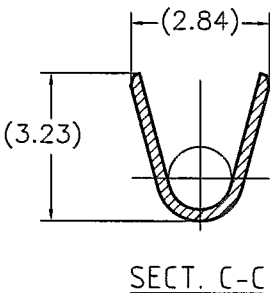
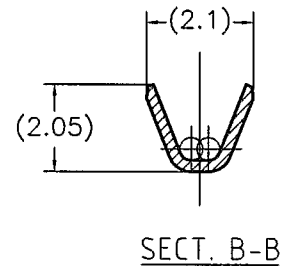
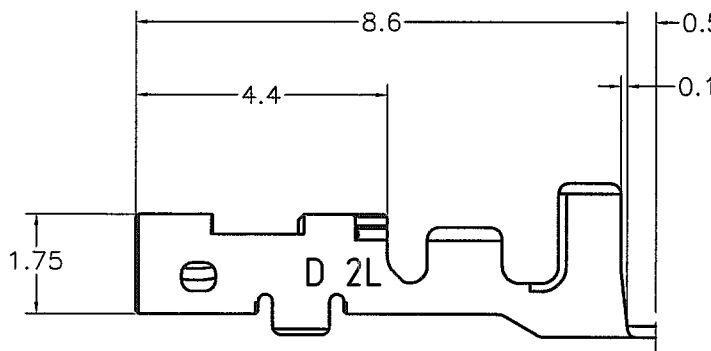
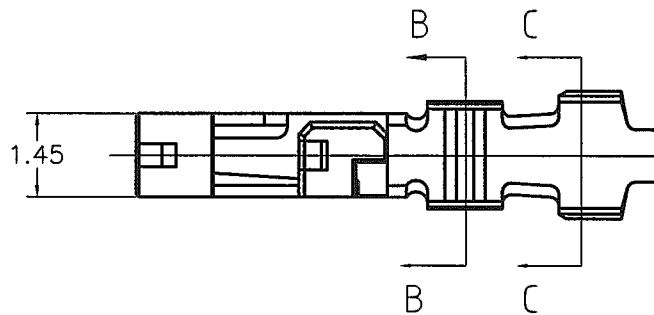


LOC J	DIST —	REVISIONS 変更			DATE	DWN	APVD
P	LTR	DESCRIPTION	DATE	DWN	APVD		
	C	REVISED PER ECR-15-011723	08AUG15	Y.O	E.T		



NOTE

TOOLING ID MARK

1. GENERAL TOLERANCE : $\pm 0.3, \pm 3^\circ$
2. Application REC-HSG is applied to the product of 2.5mm PITCH or more of DYNAMIC D1000SERIES. 2.0mm PITCH cannot be used

THIS DRAWING IS UNPUBLISHED.

ALL RIGHTS RESERVED.

BY TYCO ELECTRONICS CORPORATION.

© COPYRIGHT

1871745-1
PART No.

DIMENSIONS: 单位: 毫米 mm TOLERANCES UNLESS OTHERWISE SPECIFIED: 一般公差 0 PLC \pm 1 PLC \pm 2 PLC \pm 3 PLC \pm 4 PLC \pm ANGLES \pm	DWN T.KUDO 1JUL2005	MATERIAL 材料 PRE-TIN COPPER ALLOY	FINISH 仕上
	CHK D.MITSUGI 1JUL2005		
	APVD D.MITSUGI 1JUL2005		
	PRODUCT SPEC 製品規格 108-78298	NAME 名称 DYNAMIC D1000 SERIES REC CONTACT (2L TYPE) TIN PLATE (L/P)	
APPLICATION SPEC 取付適用規格 114-5377	SIZE A4	CAGE CODE 00779	DRAWING NO 番号 C-1871745
WEIGHT —	CUSTOMER DRAWING		RESTRICTED TO —
SCALE 尺度 8:1		SHEET 1 OF 1	REV C