

SPECIFICATIONS

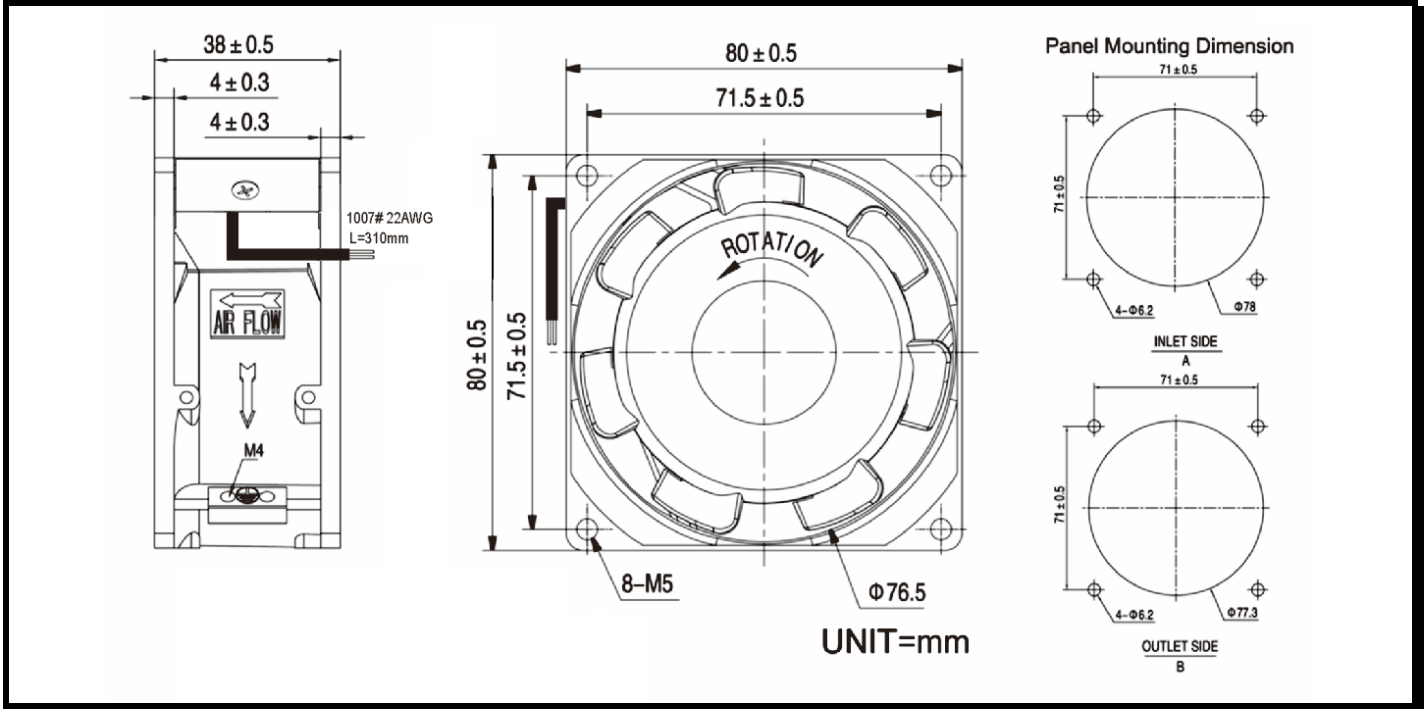
RoHS



Model Number: SU3B1
Part Number: 19028331A

Version: 01
July 20, 2016

Mechanical Drawing:



Motor:

Start Voltage	= 165VAC
Rated Voltage	= 220 VAC $\pm 10\%$
Operating Voltage Range	= 198~242VAC
Operating Frequency	= 50/60Hz
Rated Current	= 0.07/0.06A
Input Power	= 15/12Watt
Rated Speed	= 2700/3300RPM $\pm 10\%$
Bearings	= Ball
Airflow	= 24/31CFM
(Measuring at zero static pressure)	
Static Pressure	= 0.13/0.17'' H ₂ O
(Measuring at zero air flow)	
Noise Level	= 30/32 dB(A)
Net Weight	= 250 gram.
(Measuring at 25°C, RH 65% for Above Items)	

Construction:

Venturi: High quality magnesium alloy die-casting frame with ED coating and powder coating, Black.
Propeller: Magnesium alloy with ED coating, Black

Life Expectancy:

This fan is designed for continuous duty life of 60,000 hours at 20°C; 50,000 hours at 40°C; 40,000 hours at 60°C.

Additional Features:

Insulation Resistance: 100M Ω or more at 500 V megger.
Dielectric strength: 2 seconds at 1800 VAC/ 50-60 Hz.
Thermal Shock: Test per MIL-STD-202F, method 107G, condition D.

Operating Temperature: -40°C to 80°C

Storage Temperature: -20°C to 50°C

Humidity RH: 20% ~ 85% (Max.)

Ingress of protection: IP44/ Magnesium alloy Propeller

Termination:

See Mechanical Drawing.

Lead wire connection suit with 22AWG 1007#

Wire length=310mm

Agency Approvals:

UL, CE