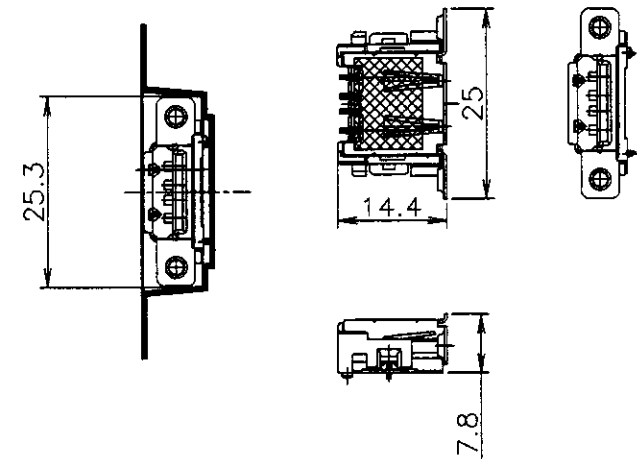
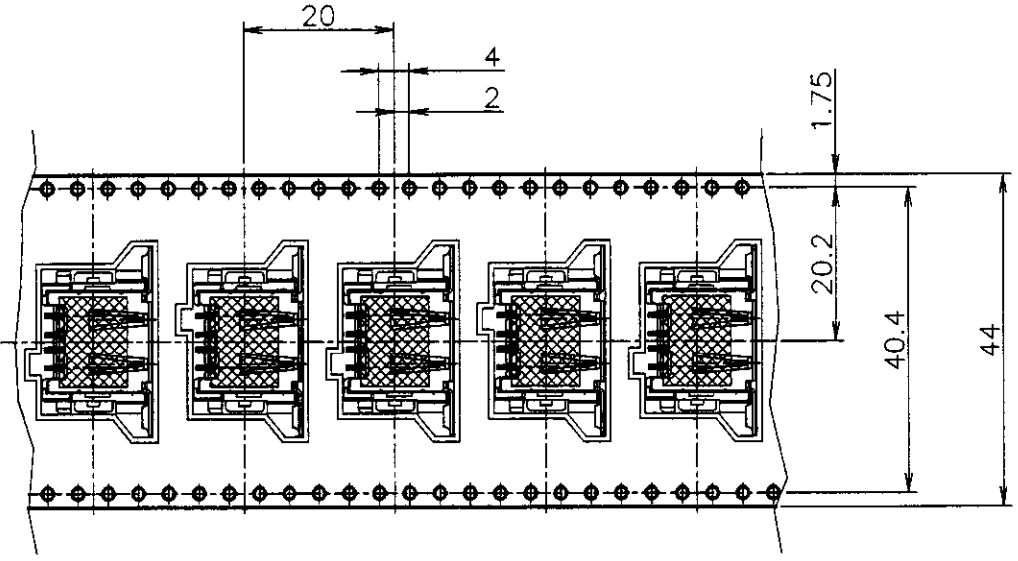


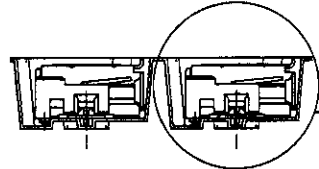
| LOC | DIST | REVISIONS |     |                           |              |            |     |      |
|-----|------|-----------|-----|---------------------------|--------------|------------|-----|------|
|     |      | P         | LTR | DESCRIPTION               | ECN          | DATE       | DWN | APVD |
| J   |      | 0         |     | RELEASED                  | FJ00-0776-97 | 19/MAY/'97 | Y.W | T.Y  |
|     |      | A         |     | REVISED                   | FJ00-1226-00 | 7-AUG-'00  | Y.W | JK   |
|     |      | A1        |     | REVISED PER ECO-10-000445 |              | 09JAN10    | KK  | AEG  |

リール引出し方向  
DIRECTION OFF TOP OF REEL



CONNECTOR DETAIL

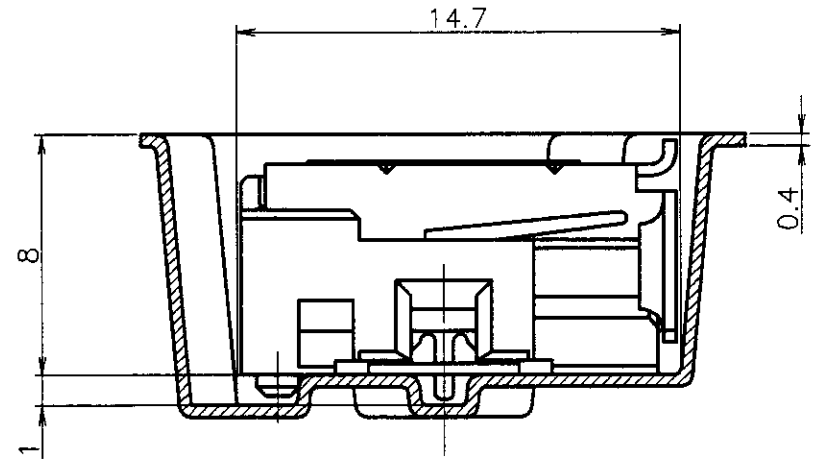
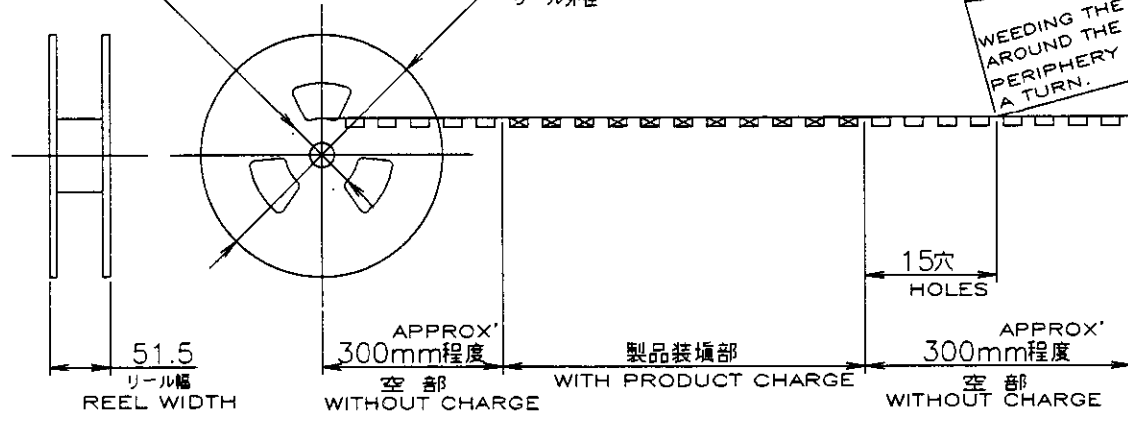
FLANGE CORE DIAMETER  
フランジコア径  
φ100



SEE DETAIL "A"

φ380  
REEL DIAMETER  
リール外径

カバーテープ  
リーダー部  
外周一巻  
WEEDING THE COVER TAPE  
AROUND THE OUTER  
PERIPHERY IN  
A TURN.



DETAIL "A"  
(SCALE 4-1)

|            |               |     |     |            |            |          |
|------------|---------------|-----|-----|------------|------------|----------|
| ⚠ OBSOLETE | BLACK         | 350 | 4   | 1-912070-8 | 1-353576-2 | 353928-2 |
|            | WHITE         | 350 | 4   | 1-912070-8 | 1-353576-1 | 353928-1 |
|            | HOUSING COLOR | QTY | POS | EMBOSS P/N | CONN. P/N  | PART NO. |

⚠ OBSOLETE PARTS: OBSOLETE CIS STREAMLINING PER D.RENAUD/D.SINISI

|   |  |                                  |   |                    |
|---|--|----------------------------------|---|--------------------|
| THIS DRAWING IS A CONTROLLED DOCUMENT.            |  | DWN<br>Y.WATANABE<br>19/MAY/'97  | <b>AMP</b> Tyco Electronics AMP K.K.<br>Kawasaki, Japan       |                    |
| DIMENSIONS:<br>単位: 耗<br>MM                        |  | CHK<br>T.YAMADA<br>19/MAY/'97    |   |                    |
| TOLERANCES UNLESS<br>OTHERWISE SPECIFIED:<br>一般公差 |  | APVD<br>T.YAMADA<br>19/MAY/'97   | NAME<br>名称  |                    |
| ±0.3, ±5°   |  | PRODUCT SPEC<br>製品規格<br>108-5563 | EMBOSS ASSY<br>REVERSE TYPE USB CONN. REC.<br>WITH COVER TYPE |                    |
| MATERIAL<br>材料                                    |  | APPLICATION SPEC<br>取付適用規格<br>// | SIZE<br>A3  | CAGE CODE<br>00779 |
| FINISH<br>仕上                                      |  | WEIGHT<br>//                     | DRAWING NO<br>番号<br>G-353928                                  | RESTRICTED TO      |
| CUSTOMER DRAWING                                  |  |                                  | SCALE<br>尺度<br>1:1  | SHEET<br>1 OF 1    |
|   |  |                                  | REV<br>A1   |                    |