

**AMP**AMP INCORPORATED  
HARRISBURG, PA 17105

REDUCED FOR PACKAGING

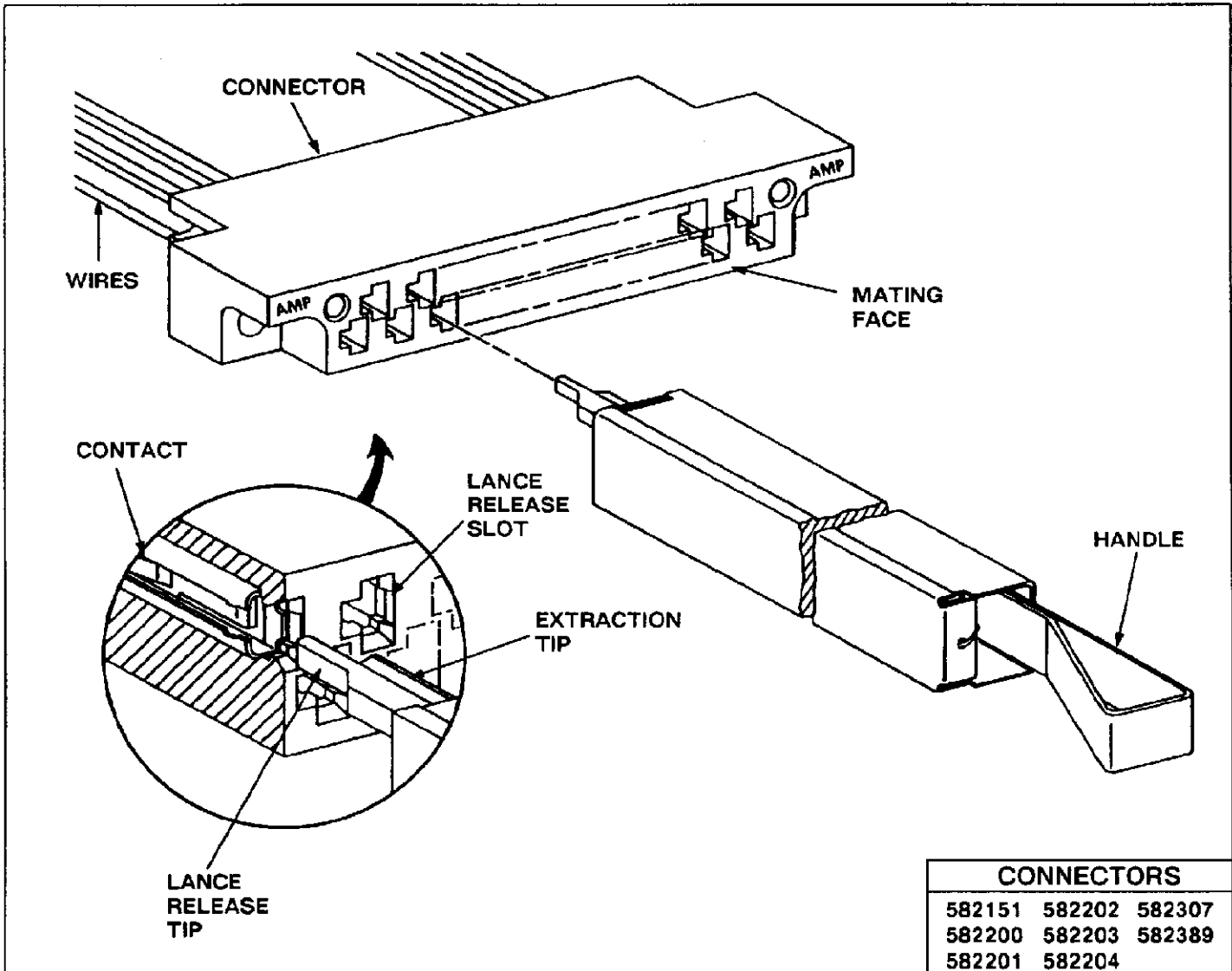
**IS 7039****AMP-BLADE\* EXTRACTION TOOL 465199-1**CUSTOMER HOTLINE  
1 800 722-1111RELEASED  
12-15-88

Fig. 1

**1. INTRODUCTION**

This instruction sheet covers the use of AMP-BLADE Extraction Tool 465199-1, which is designed to extract AMP-BLADE contacts from the connectors listed in Figure 1. Read these instructions carefully before extracting any contacts.

**NOTE**

All dimensions on this sheet are in inches.

**2. DESCRIPTION (Figure 1)**

The extraction tool consists of a lance release tip for depressing the contact locking lance, and an extraction tip for pushing the contact from the connector. A handle is used to push the extraction tip.

**3. CONTACT EXTRACTION**

Refer to Figure 1 and proceed as follows:

1. Select the contact to be removed. Orient the tool, as shown in Figure 1, with the front (mating face) of the connector.

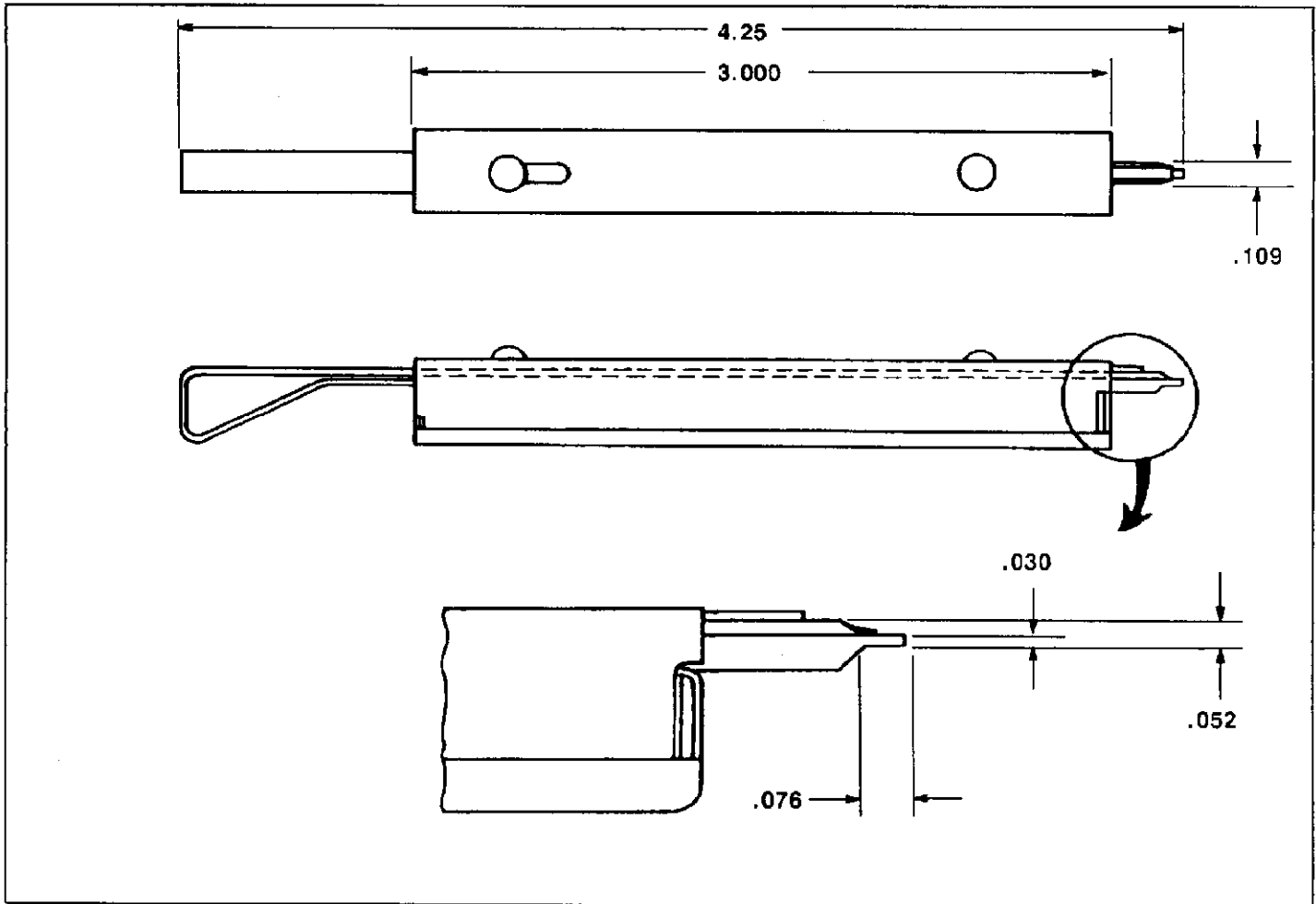


Fig. 2

2. Insert the extraction tool into the front of the connector with the lance release tip entering the lance release slot and the extraction tip entering the contact cavity.

3. Push the lance release tip in until the locking lance is released from the slot.

**CAUTION**

*Do NOT pry or twist tool when inserting into connector. Damage to tool or connector may result.*

4. Maintaining pressure on the release tip, push the handle of the extraction tool forward to push the contact out of the back of the connector.

5. Remove the extraction tool and pull contact from the back of the connector by grasping the corresponding wire and pulling lightly on it.

**4. TOOL MAINTENANCE**

The extraction tool requires little maintenance other than to wipe it with a clean, soft cloth after use and to store it in a clean, dry area when not in use. Prevent dirt or foreign objects from entering the tool body. AMP recommends that the tool be inspected immediately upon its arrival at your facility, and at regularly scheduled intervals thereafter, to ensure that the tool has not become damaged during handling and use.

Additional tools may be purchased from:

AMP Incorporated  
P.O. Box 3608  
Harrisburg, PA 17105-3608

or a wholly owned subsidiary of AMP Incorporated.