

5

4

3

2

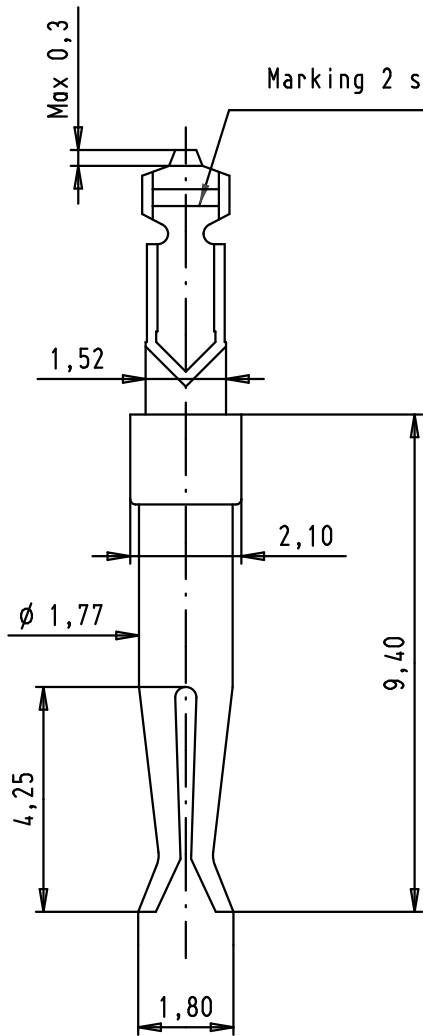
1

D

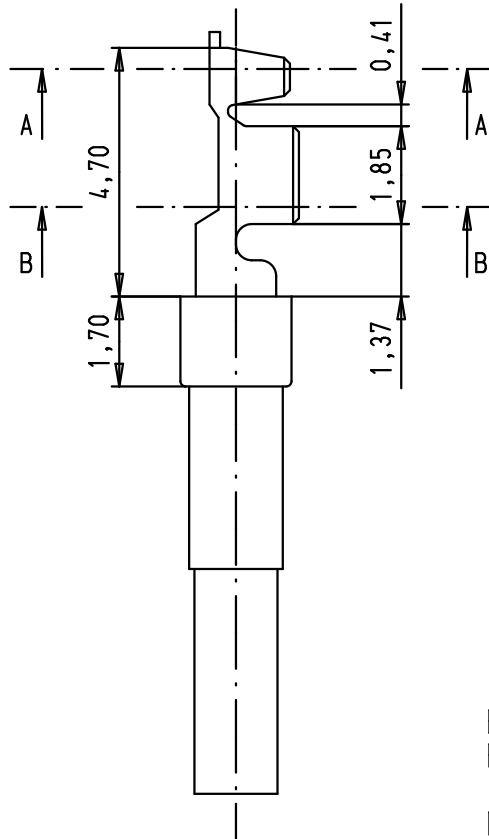
C

B

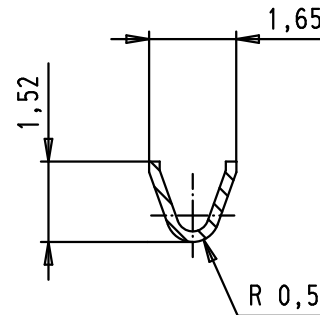
A



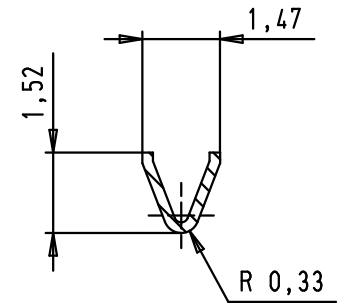
Marking 2 strokes for AWG24-28



Section A-A



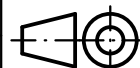
Section B-B



Base material: brass
 Plating: sliding contact selective gold plated over nickel
 nickel plated crimp area
 Number of contacts per bag: 500

09 67 000 7278	PL2
09 67 000 7277	PL3
09 67 000 7276	PL1
Part number	Performance level

			Det.	Name
			24/03/03	PP
36288	13/01/12	SD	Insp. 13/01/12	JB
33937	05/03/07	PK	Stand.	
32716	18/02/05	AL		
31476	24/03/03	PP		
Mod.	Det.	Name	HARTING EURL F-95972 Paris	



All Dim. in mm
Orig. Size DIN A 4



D-Sub, stamped female
 AWG 24-28 crimp contact,
 bag packaging

TB 09 67 000 727X

Sub.

Maßstab/
Scale

7:1

Blatt/ Page

1 / 1