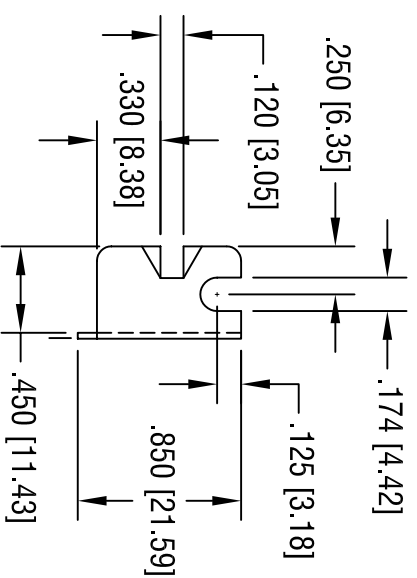
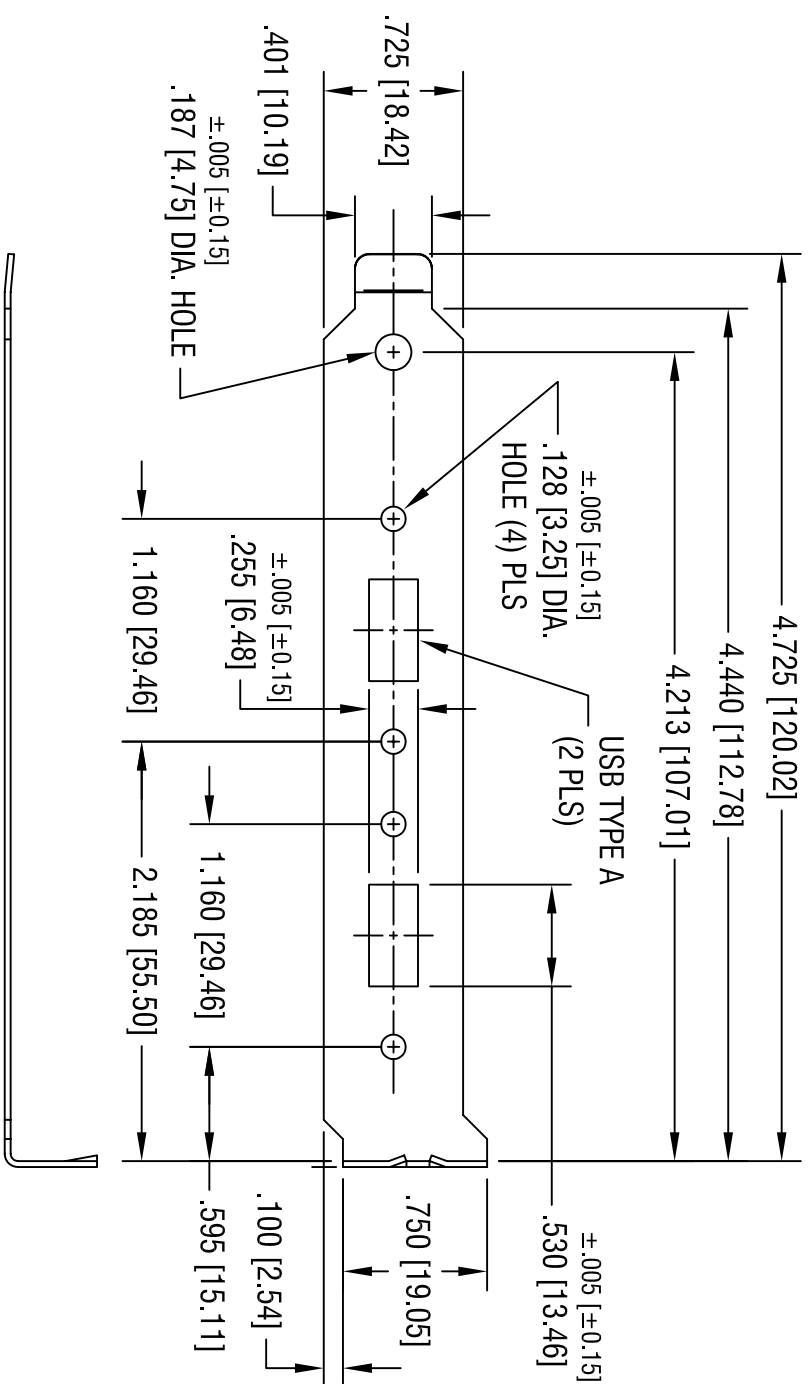


DATE	DESCRIPTION	REV.



KEYSTONE ELECTRONICS CORP.

ASTORIA, N.Y. 11105-2017

PART NAME

COMPUTER BRACKET

MATERIAL

.032 [0.81] THK STEEL

FINISH

NICKEL PLATE

THIS DOCUMENT IS THE PROPERTY OF KEYSTONE ELECTRONICS CORP. AND SHALL NOT BE REPRODUCED, DISTRIBUTED OR USED AS A BASIS FOR MANUFACTURE WITHOUT PRIOR WRITTEN PERMISSION FROM KEYSTONE ELECTRONICS CORP.

TOLERANCES	INCH	[MM]	CODE	DWG NO.
DECIMAL	± .015	[± 0.38]	C	9200-10
ANGULAR	± 1°			

DRN BY	DATE
BOONE	4.27.98
APP'D	SCALE
LN	1X