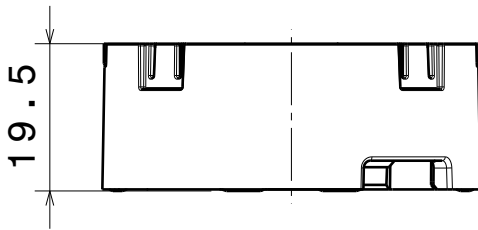


D

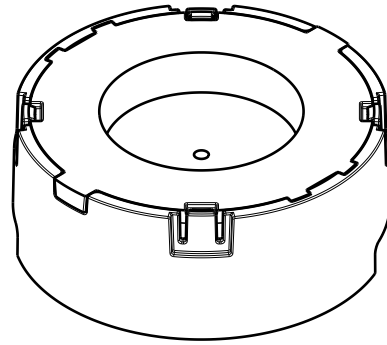
C

B

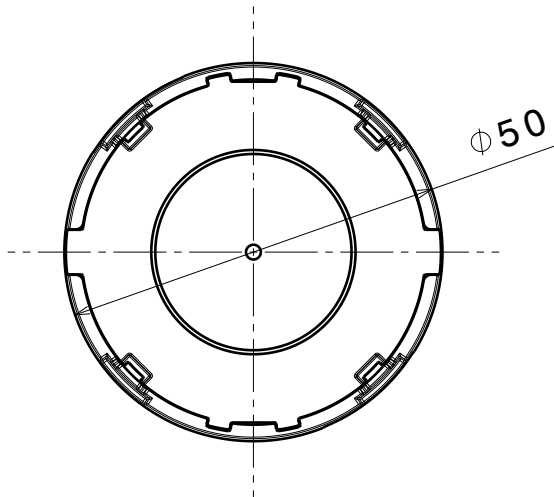
A



Front view



Isometric view



Top view

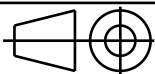
INDEX	PART NO	DESCRIPTION	MATERIAL	COLOUR
1	C15821	WINNIE-HLD-C	PA66GF30	black
2	-	WINNIE LENS	PMMA	

Tolerances if not otherwise shown
According to DIN ISO 2768-1
Linear measures:
up to 30mm class M, otherwise class C
According to DIN ISO 2768-2
Form and position: class L

LEDiL

Ledil Oy
Salorankatu 10
FIN 24240 SALO
Finland

THIRD ANGLE PROJECTION:



DRAWING TITLE

WINNIE-C series

This drawing is the property
of LEDiL Oy. It may not be
reproduced, copied or
communicated without a written
agreement with LEDiL Oy.

SIZE PART NUMBER

A4

-

SCALE	1:1	WEIGHT	23 g	SHEET	1/1
-------	-----	--------	------	-------	-----

D

A