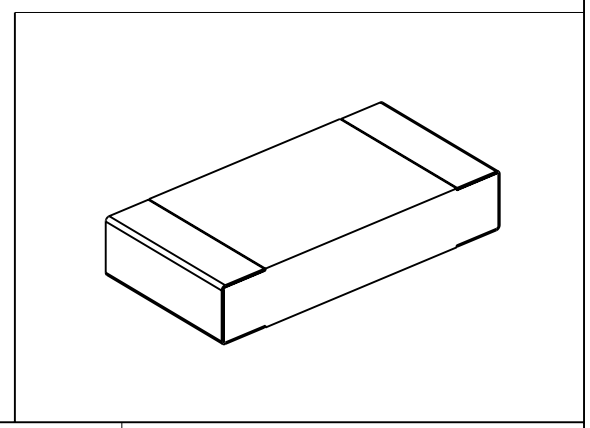
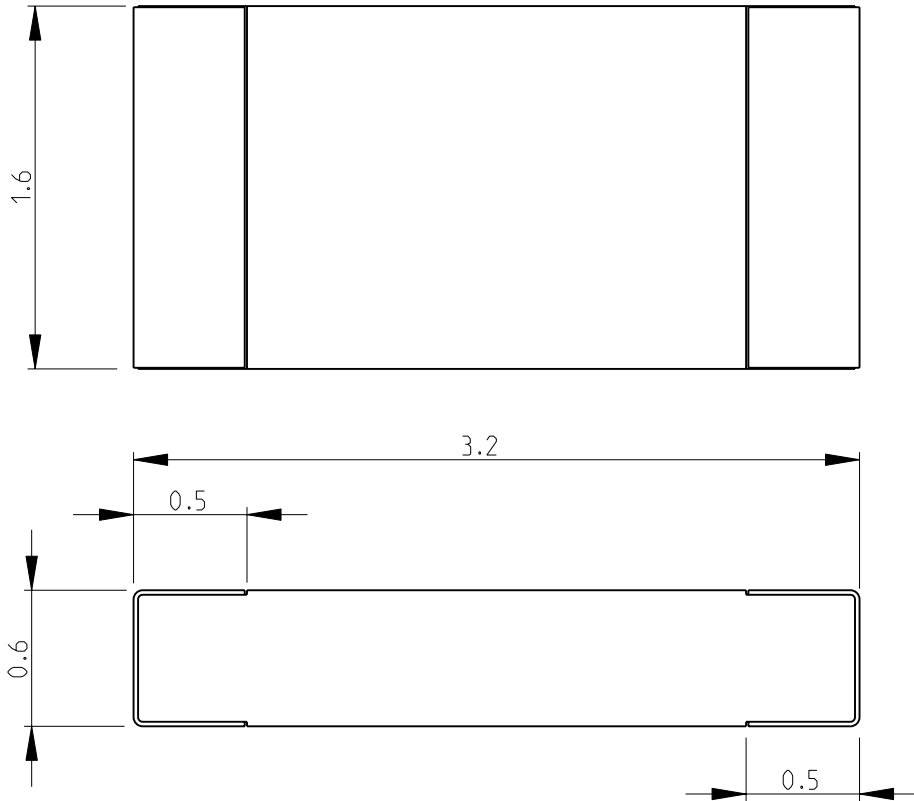



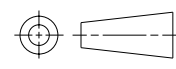
LOC	DIST	REVISIONS					
		P	LTR	DESCRIPTION	DATE	DWN	APVD
E	B		BA1	REVISED PER ECO-11-005150	31MAR2011	RK	HMR

FOR FURTHER INFORMATION SEE DATA SHEET FOR SERIES TL2B - SMD LOW-OHMIC CURRENT SENSE RESISTORS



RoHS Compliant

2009
 RELEASED FOR PUBLICATION
 ALL RIGHTS RESERVED.
 THIS DRAWING IS UNPUBLISHED.
 © COPYRIGHT 2009

DIMENSIONS:		DWN	30NOV2009	MATERIAL	-	FINISH	-
mm		MAHARUDRA		 TE Connectivity			
TOLERANCES UNLESS OTHERWISE SPECIFIED:		CHK	30NOV2009				
0 PLC	±0.2	ALLAN.P		NAME SMD LOW-OHMIC CURRENT SENSE RESISTORS SERIES TL2B			
1 PLC	±0.1	APVD	30NOV2009				
2 PLC	±	STEPHEN.P		SIZE	CAGE CODE	DRAWING NO	RESTRICTED TO
3 PLC	±	PRODUCT SPEC	-	A 4	00779	©-1625826	-
4 PLC	±	APPLICATION SPEC	-	CUSTOMER DRAWING			
ANGLES	±5°	WEIGHT	-	SCALE	30:1	SHEET	1 OF 1
		SCALE 30:1		SHEET 1 OF 1		REV BA1	