
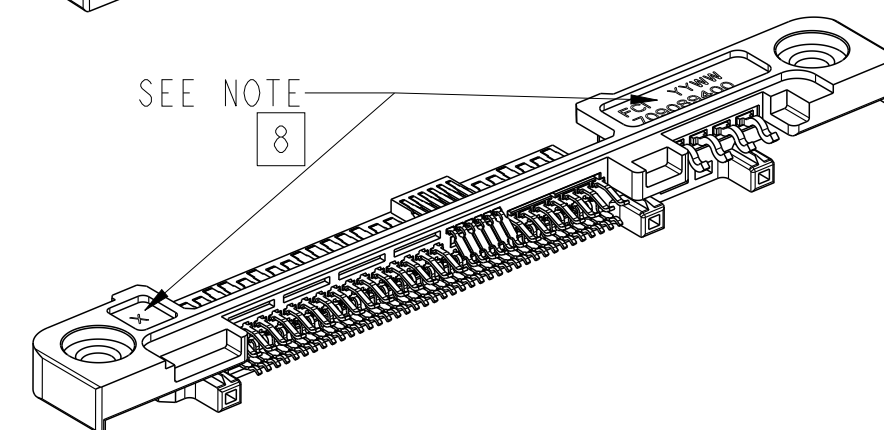
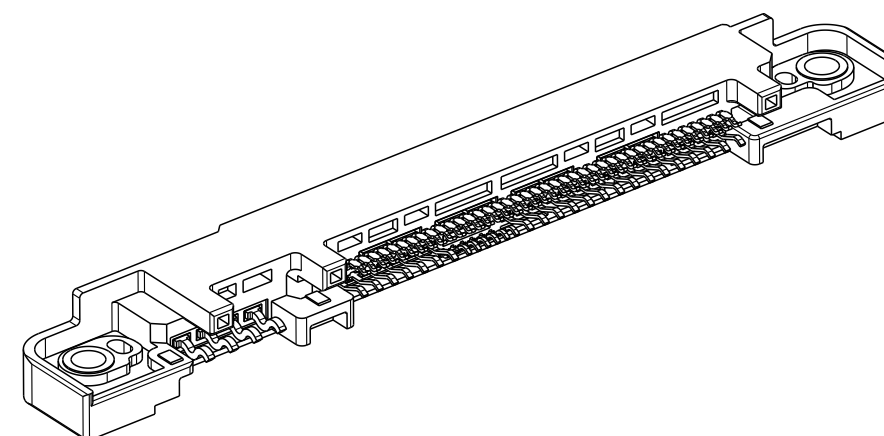
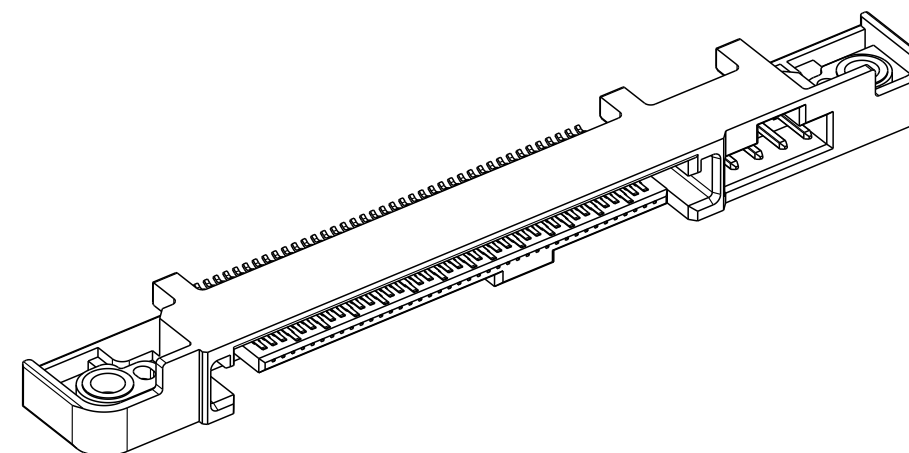
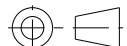


PRODUCT NUMBER	PACKAGING
10127091-001LF	TUBE

NOTES:

1. APPLICABLE INDUSTRY SPECIFIED
PCI EXPRESS CARD ELECTROMECHANICAL SPECIFICATION REVISION 3.0
SFF-8639 REV 1.9 WITH EXCEPTION TO MEET 12Gb/s SAS-3 ELECTRICAL AND
SIGNAL INTEGRITY SPECIFICATION. PRODUCT TO MEET THE ELECTRICAL AND
SIGNAL INTEGRITY SPECIFICATION FOR PCIe OPERATION ONLY.
2. MATERIALS:
HOUSING: HIGH TEMPERATURE THERMOPLASTIC, BLACK, UL94V-0
CONTACT AND JUMPER: COPPER ALLOY
3. FINISH:
CONTACT: 1.27um MIN./2.54um MAX Ni UNDERPLATE OVERALL, 0.76um MIN. Au ON CONTACT AREA,
1.91um MIN. 100% MATTE Sn(LEAD-FREE) ON SOLDERTAIL,
JUMPER: 1.27um MIN./2.54um MAX Ni UNDERPLATE OVERALL, 0.12um MIN. Au ON CONTACT AREA,
1.91um MIN. 100% MATTE Sn(LEAD-FREE) ON SOLDERTAIL,
4. PRODUCT SPECIFICATION: GS-12-1169
5. PACKAGING SPECIFICATION: GS-14-450
6. THIS PRODUCT MEETS EUROPEAN UNION DIRECTIVES AND OTHER COUNTRY
REGULATIONS AS DESCRIBED IN GS-47-0004
7. THE HOUSING WILL WITHSTAND EXPOSURE TO 260°C PEAK TEMPERATURE
FOR 10 SECONDS IN A CONVECTION, INFRA-RED OR VAPOR PHASE
REFLOW OVEN.
8. EACH CONNECTOR SHALL BE PERMANENTLY AND LEGIBLY MARKED WITH THE
SUPPLIER ID, CUSTOMER PART NUMBER AND DATE CODE OF MANUFACTURE.
9. DATUM J (PCB SITTING PLANE) DEFINED BY THE 5 INDICATED SURFACES.
COPLANARITY OF THE SOLDERTAIL TO MEET 0.10mm.
10. A SYMBOL  WILL BE NEXT TO ANY DIMENSION, VIEW OR NOTE WHICH HAS BEEN
MODIFIED WITH THE CURRENT DRAWING REVISION.

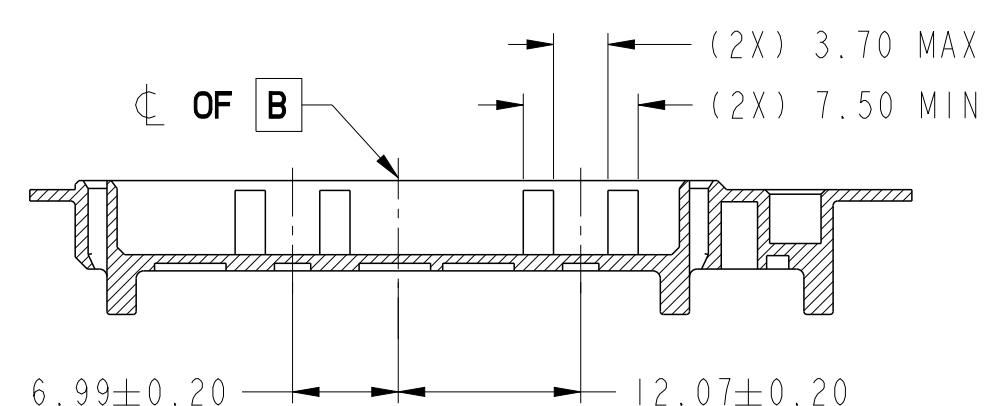
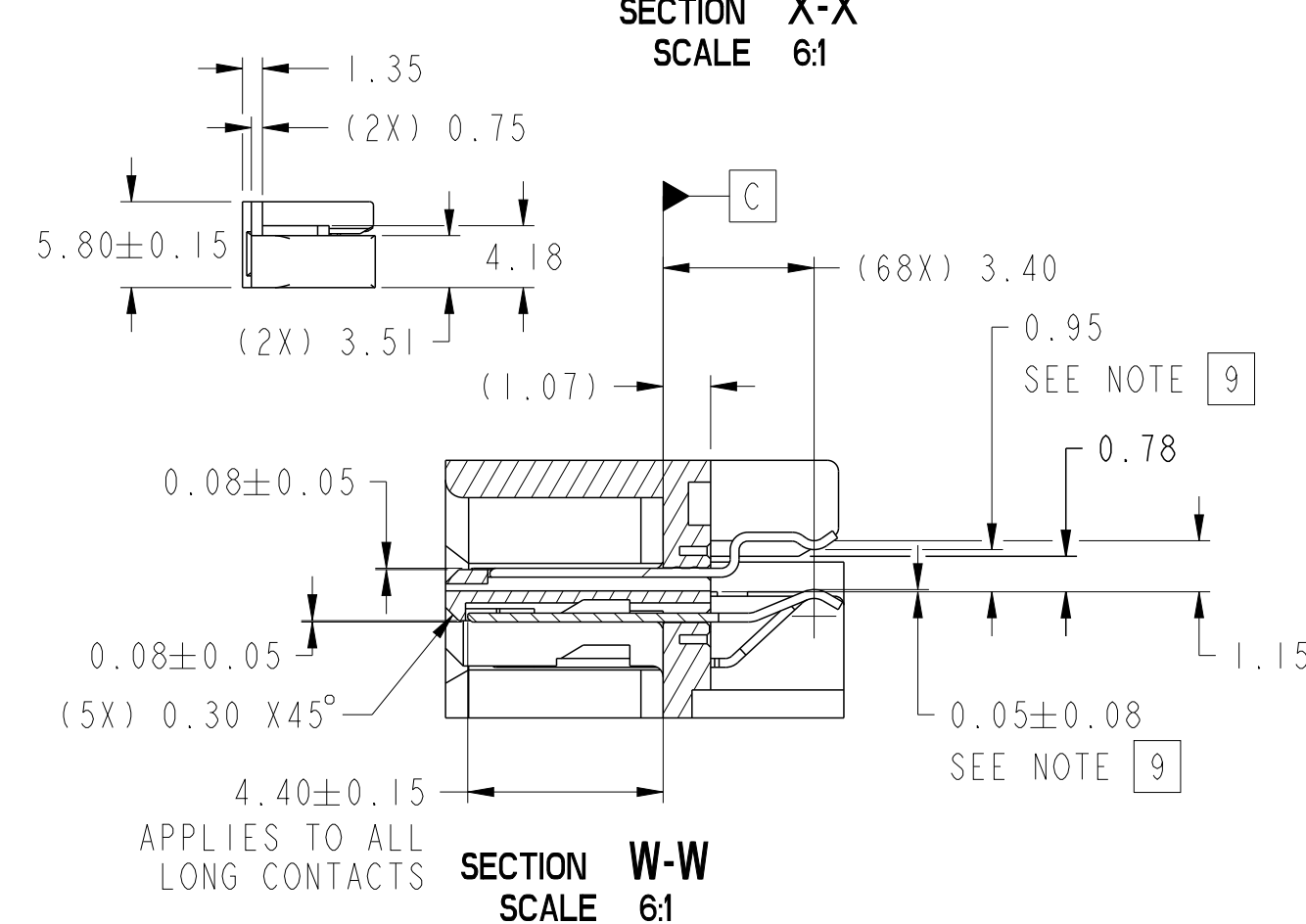
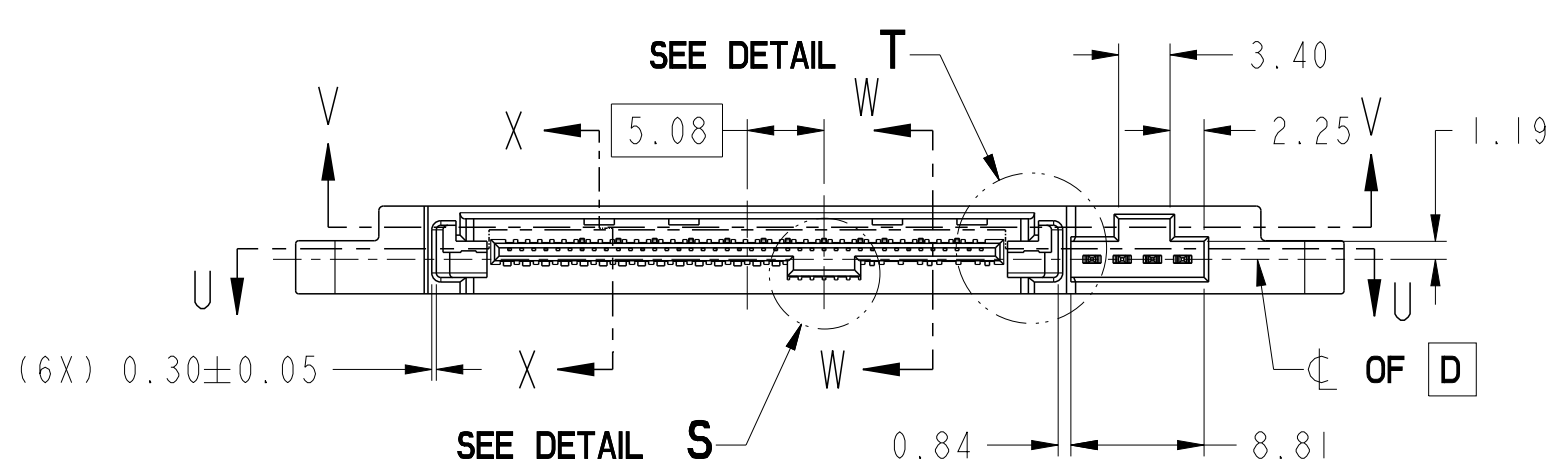
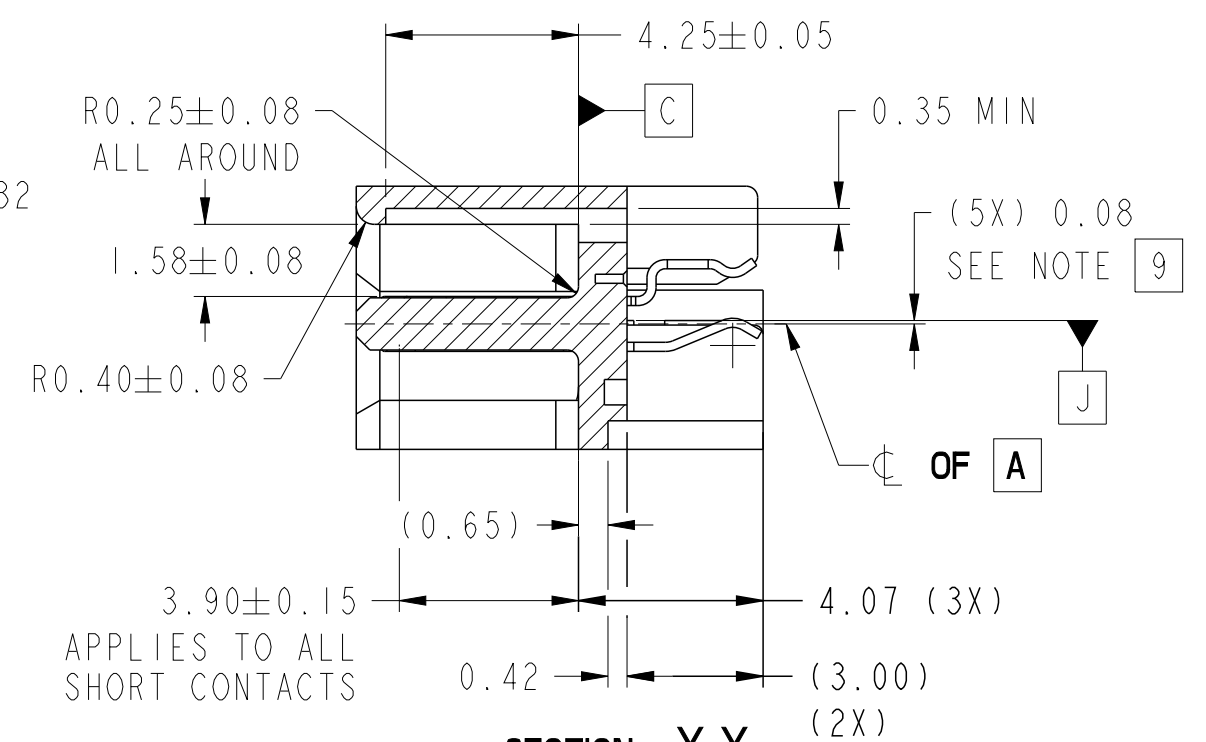
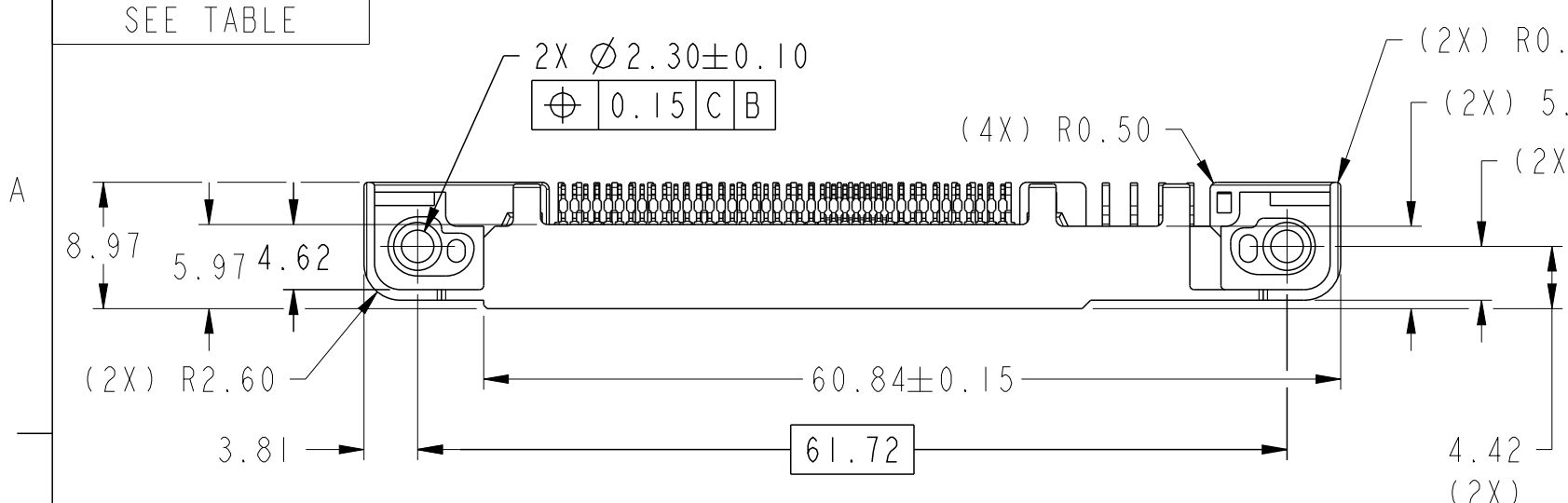


spec ref	ASME Y14.5			dr	S Paulpandian	2014/11/10	projection	MM	size	A3	scale	2:1
tolerance std	TOLERANCES UNLESS OTHERWISE SPECIFIED			eng	S Paulpandian	2015/03/19		← →	ecn no		-	
surface	✓	linear	0.X ±0.3	chr	-	-			product family		PCIe	rel level
				0.XX ±0.10	appr	Koon-Poh Tay	2015/03/19	dwg no		10127091		rev
		angular	0° ±1°	www.fci.com		cat. no.	-	Product - Customer Drw		sheet 1 of 5		



Copyright FCI.

PRODUCT NUMBER
SEE TABLE

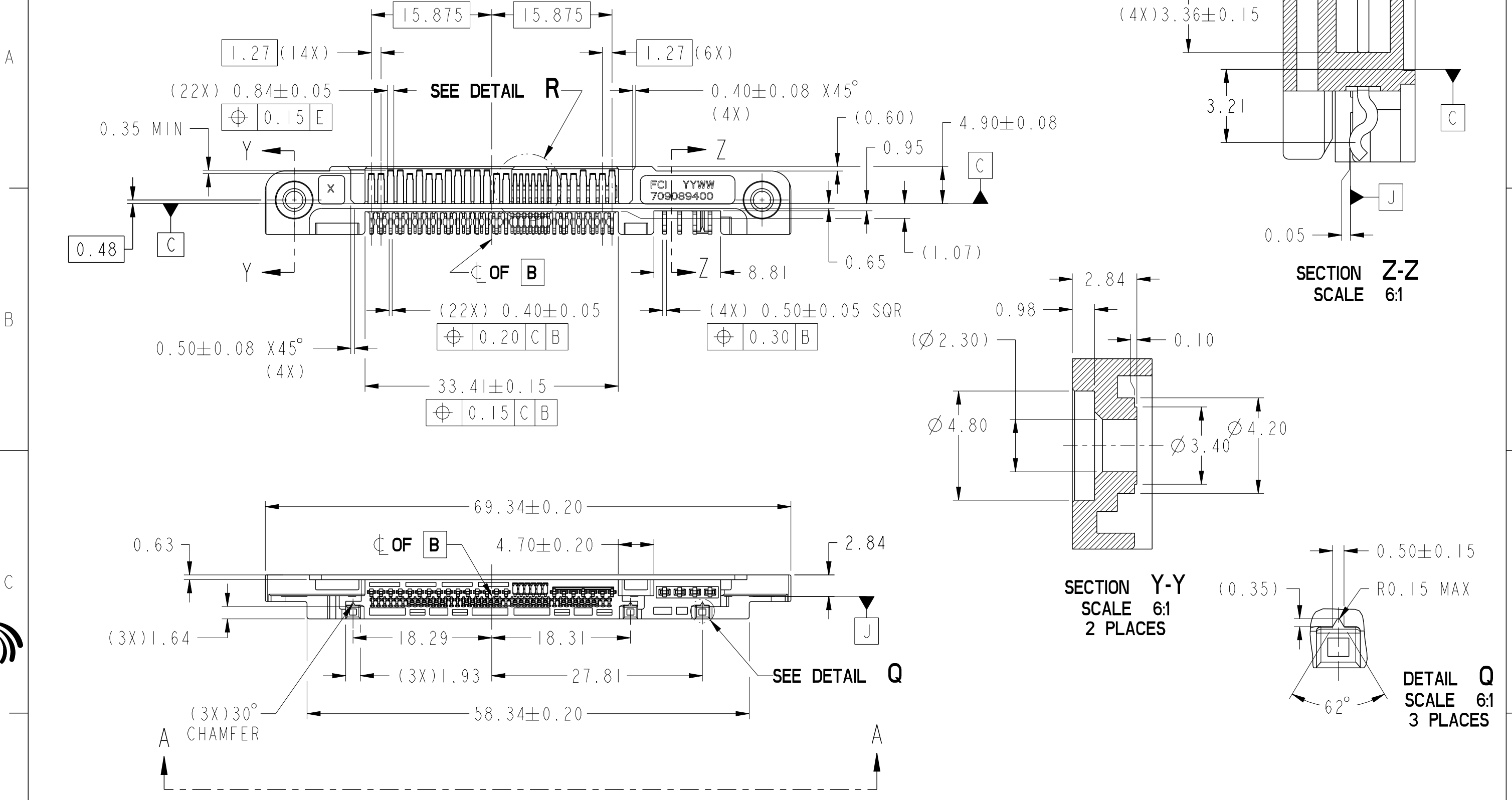


SECTION V-V

spec ref	ASME Y14.5	dr	S Paulpandian	2014/11/10	projection	MM	size	A3	scale	2:1
tolerance std	ASME Y14.5	eng	S Paulpandian	2015/03/19			ecn no	-	rel level	Released
TOLERANCES UNLESS OTHERWISE SPECIFIED		chr	-	product family						
surface	✓	appr	Koon-Poh Tay	2015/03/19	SAS/PCIE PLUG CONNECTOR		dwg no	10127091	rev	A
ASME Y14.5	linear	0.X	± 0.3		TYPE STR MOUNT		Product - Customer Drw	sheet 2 of 5		
		0.XX	± 0.10							
		0.XXX	± 0.020							
ASME Y14.5	angular	0°	$\pm 1^\circ$	www.fci.com	cat. no.	-				

Copyright FCI.

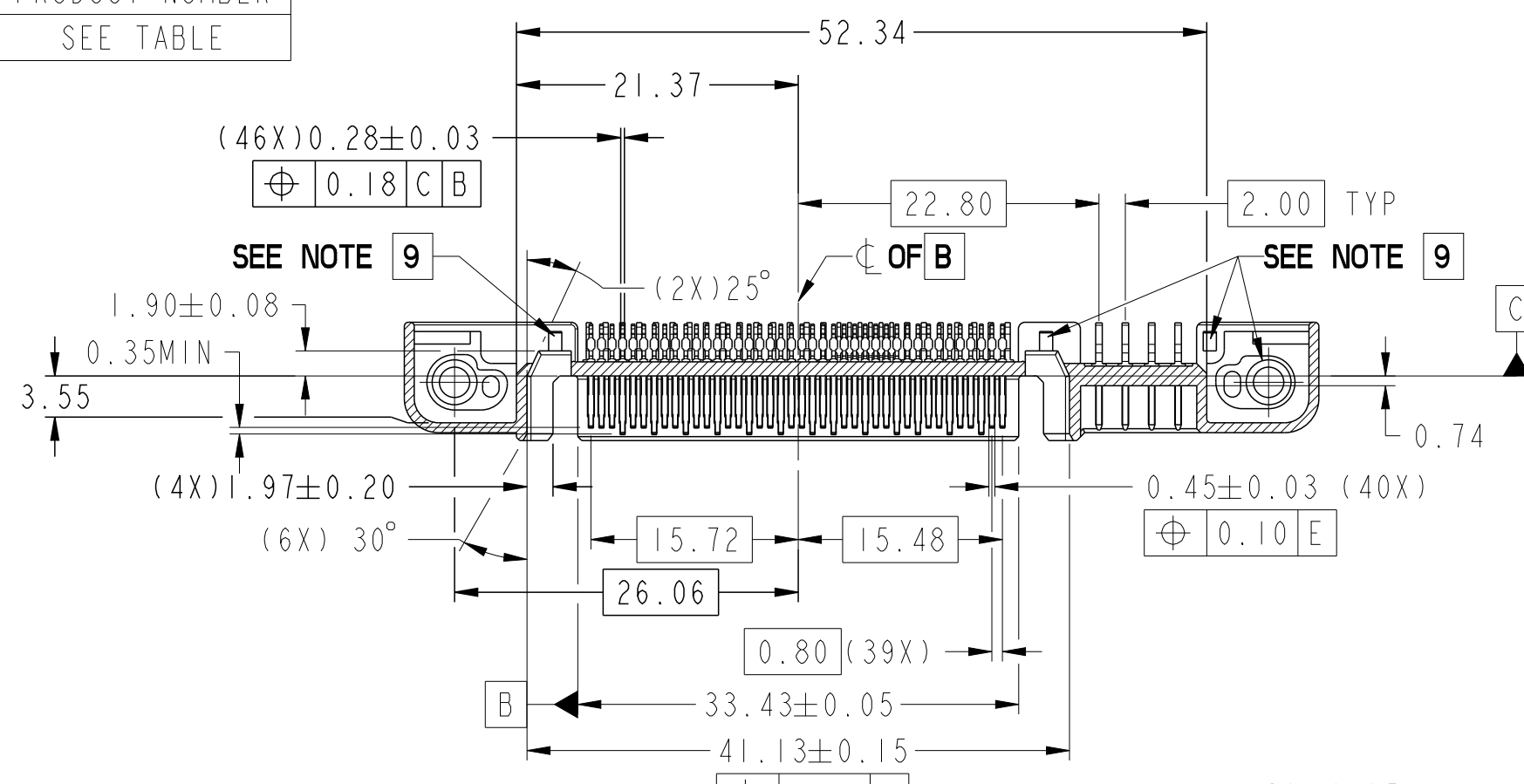
PRODUCT NUMBER
SEE TABLE



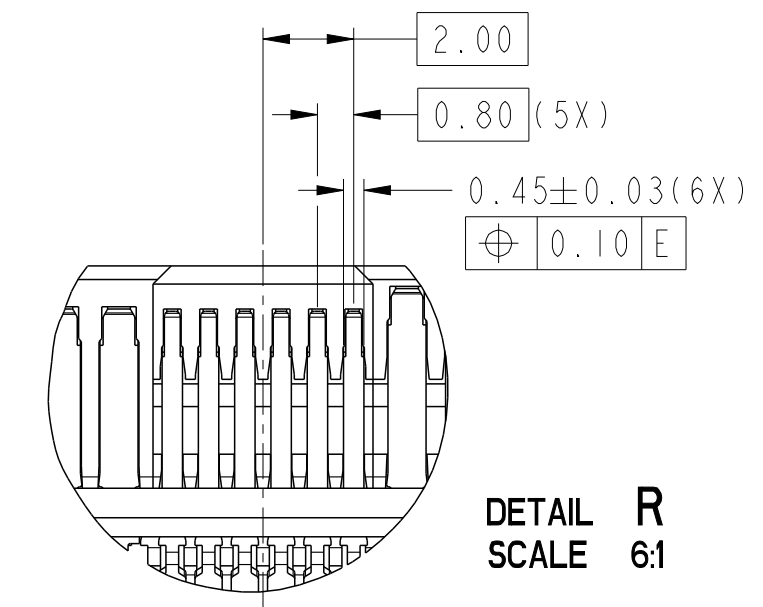
Copyright FCI.

spec ref	ASME Y14.5		dr	S Paulpandian	2014/11/10	projection	MM	size	A3	scale	2:1
tolerance std	TOLERANCES UNLESS OTHERWISE SPECIFIED		eng	S Paulpandian	2015/03/19			ecn no	-	rel level	Released
surface	linear	0.X ±0.3 0.XX ±0.10 0.XXX ±0.020	chr	-	-			product family	PCIe		rel level
ASME Y14.5	angular	0° ±1°	appr	Koon-Poh Tay	2015/03/19	SAS/PCIE PLUG CONNECTOR TYPE STR MOUNT		dwg no	10127091	rev	A
www.fci.com			cat. no.	-		Product - Customer Drw		sheet 3 of 5			

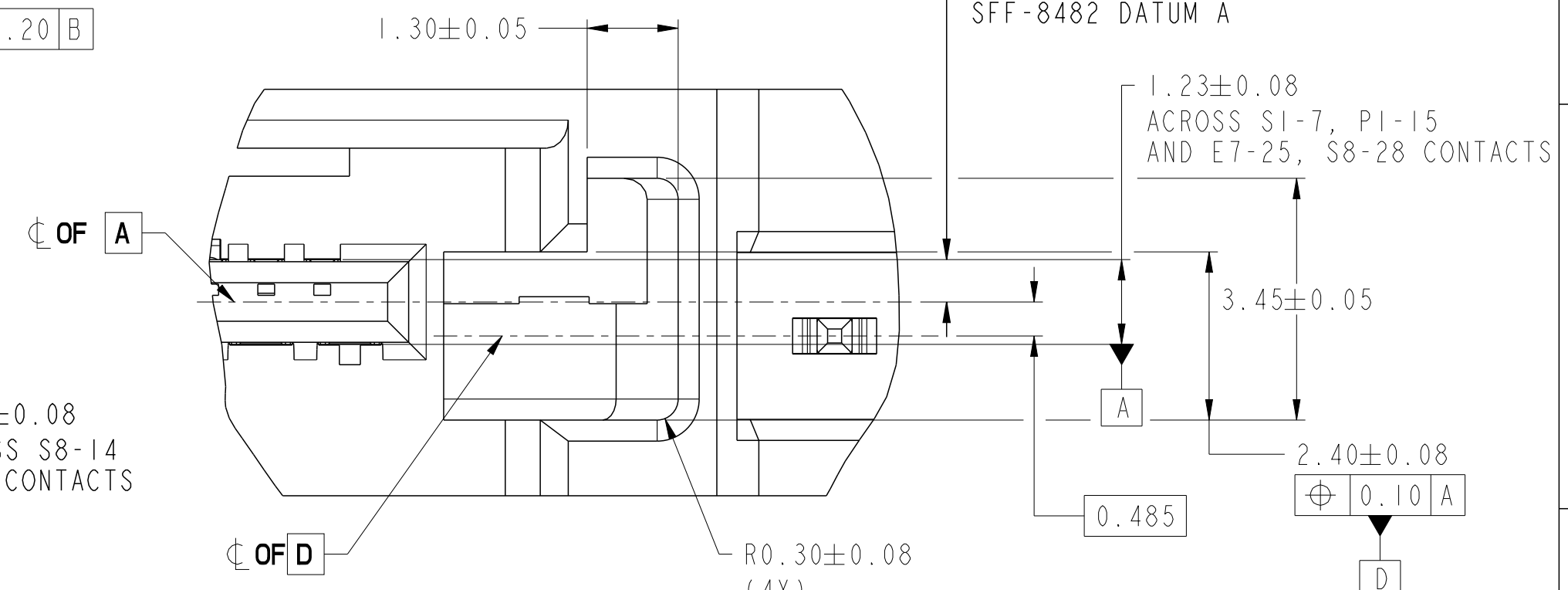
PRODUCT NUMBER
SEE TABLE



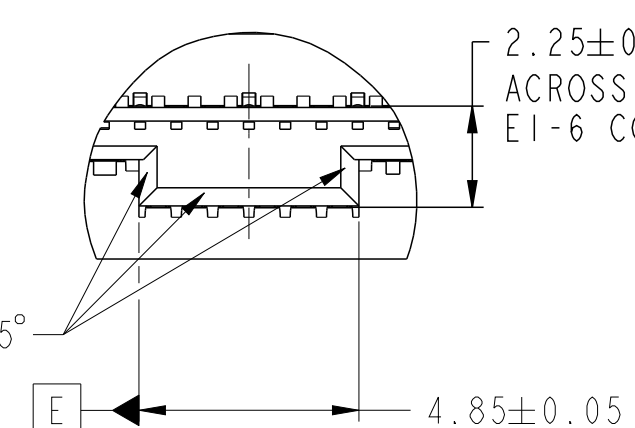
SECTION U-U
VIEW A-A



DETAIL R
SCALE 6:1



DETAIL T
SCALE 12:1



DETAIL S
SCALE 6:1

spec ref	ASME Y14.5	dr	S Paulpandian	2014/11/10	projection	MM	size	A3	scale	2:1
tolerance std	ASME Y14.5	eng	S Paulpandian	2015/03/19			ecn no	-	rel level	Released
TOLERANCES UNLESS OTHERWISE SPECIFIED		chr	-	-			product family	PCIe	rel level	Released
surface	linear	0.X	±0.3		SAS/PCIE PLUG CONNECTOR		dwg no 10127091	rev		A
		0.XX	±0.10		TYPE STR MOUNT					
		0.XXX	±0.020							
ASME Y14.5	angular	0°	±1°	www.fci.com	cat. no.	-	Product - Customer Drw	sheet 4 of 5		

A

B

C

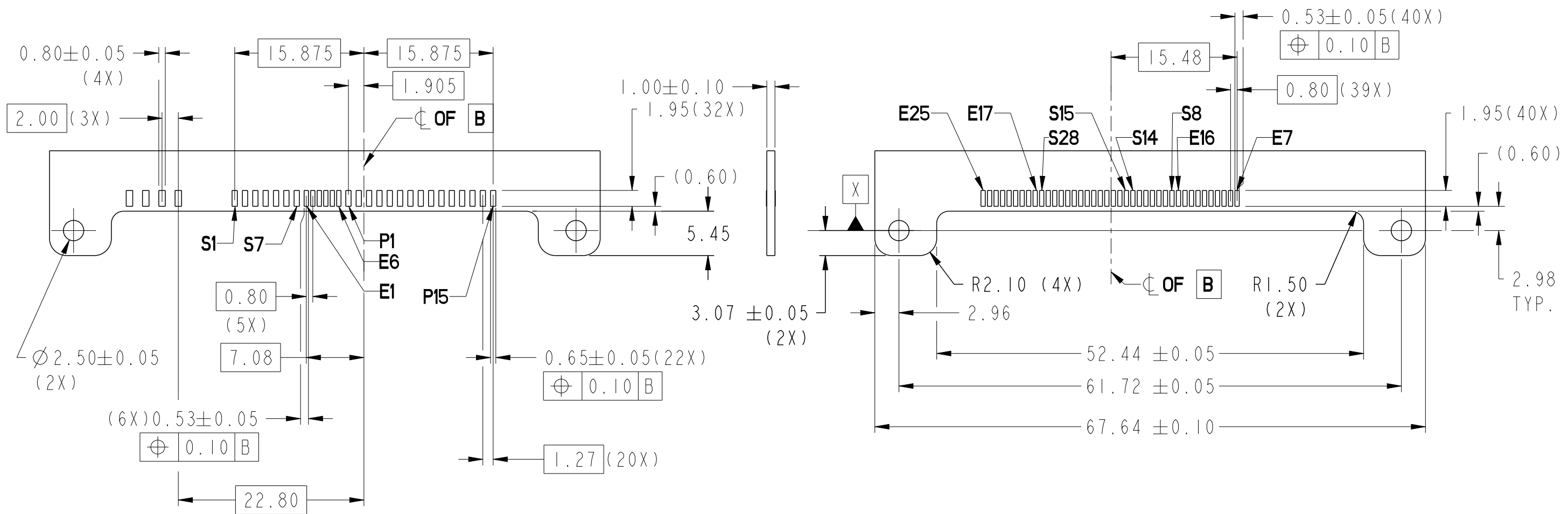
D

A

B

C

D



RECOMMENDED PCB LAYOUT
(GENERAL TOLERANCE: ±0.05)



Copyright FCI.

spec ref	ASME Y14.5			dr	S Paulpandian	2014/11/10	projection	MM	size	A3	scale	2:1
tolerance std	TOLERANCES UNLESS OTHERWISE SPECIFIED			eng	S Paulpandian	2015/03/19			ecn no		-	
surface	✓	linear	0.X ±0.3	chr	-	-			rel level		Released	
			0.XX ±0.10	appr	Koon-Poh Tay	2015/03/19	product family		PCIe		-	
			0.XXX ±0.020			SAS/PCIE PLUG CONNECTOR		dwg no 10127091		rev A		
ASME Y14.5		angular	0° ±1°	www.fci.com		cat. no.	-	Product - Customer Drw		sheet 5 of 5		