

CODE	DIM "M" MATING LENGTH	CONTACT TYPE
H	[5.59]	SIGNAL
G	[5.59]	SIGNAL
F	[5.59]	SIGNAL
E	[5.59]	SIGNAL
R	[6.86]	SIGNAL
S	[6.86]	SIGNAL
T	[6.86]	SIGNAL
U	[6.86]	SIGNAL



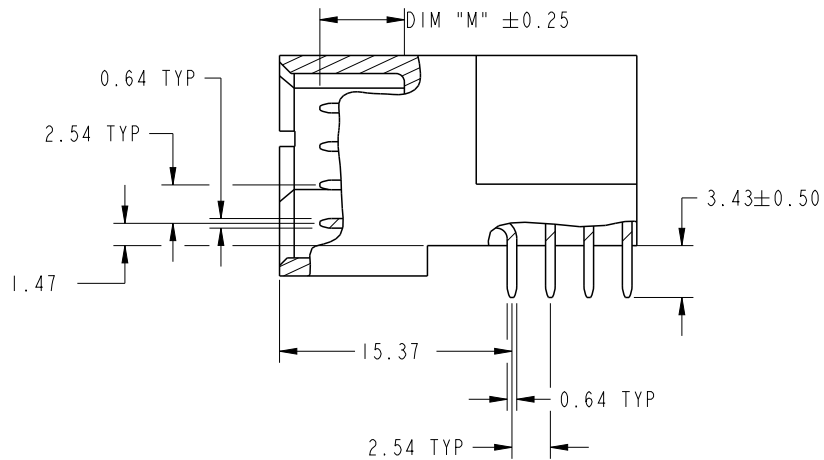
Copyright FCI.

spec ref	*	dr	Ruan MT	2013/06/07	projection	MM	size	A4	scale	1:1	
tolerance std	TOLERANCES UNLESS OTHERWISE SPECIFIED	eng	Ruan MT	2013/06/18			ecn no	-			
ASME Y14.5		chr	-	-							
surface		appr	Pei-Ming Zheng	2013/06/18		product family					
ASME Y14.5	linear	0.X	±0.5		title 108S RIGHT ANGLE SOLDER HEADER	dwg no 51939-783	rev				
		0.XX	±0.25				A				
		0.XXX	±0.1								
	angular	0°	±2°	www.fci.com	cat. no.	-	Product - Customer Drw		sheet 1 of 4		

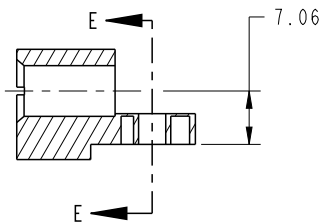
PrdE File - REV C - 2009-06-09

PRODUCT NUMBER

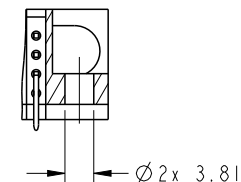
51939-783--  
NOTE: 3



BROKEN-OUT SECTION A-A  
SCALE 2:1



SECTION C-C

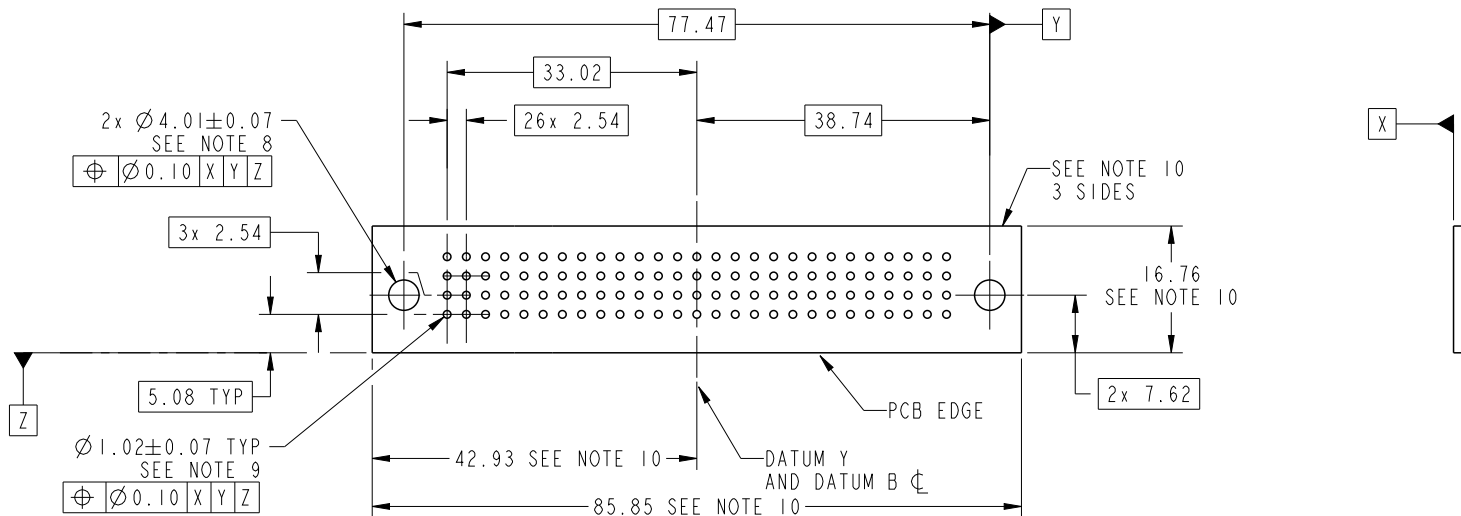


PARTIAL SECTION E-E

dr	Ruan MT	2013/06/07	projection 	MM 	size	A4	scale	1:1
eng	Ruan MT	2013/06/18			ecn no	-		
chr	-	-			rel level	Released		
appr	Pei-Ming Zheng	2013/06/18	product family	PwrBlade				
		title 108S RIGHT ANGLE SOLDER HEADER	dwg no 51939-783	rev A				
www.fci.com		cat. no.	-	Product - Customer Drw	sheet 2 of 4			

PRODUCT NUMBER

51939-783\_\_  
NOTE: 3



RECOMMENDED PCB LAYOUT

dr	Ruan MT	2013/06/07	projection 	MM ←→	size	A4	scale	1:1
eng	Ruan MT	2013/06/18			ecn no	-		
chr	-	-						
appr	Pei-Ming Zheng	2013/06/18	product family	PwrBlade	rel level	Released		
	title	108S RIGHT ANGLE SOLDER HEADER		dwg no	51939-783		rev	A
www.fci.com	cat. no.	-	Product - Customer Drw			sheet 3 of 4		

PRODUCT NUMBER

51939-783\_\_  
NOTE: 3

NOTES:

1. DIMENSIONS AND TOLERANCES ARE IN ACCORDANCE WITH ASME Y14.5M, 1994 UNLESS OTHERWISE SPECIFIED.

CONNECTOR NOTES:

- 2. HOUSING MATERIAL: UL 94 V-0 GLASS FILLED HIGH-TEMP THERMOPLASTIC  
POWER CONTACT MATERIAL: COPPER ALLOY  
SIGNAL PIN MATERIAL: COPPER ALLOY
- 3. SEE ITEM 1 & 2 IN PRINT 10064183 FOR PLATING SPEC OF 51939-783 AND 51939-783LF RESPECTIVELY.
- 4. MANUFACTURER'S NAME, DATE CODE AND OPTIONAL P/N TO APPEAR ON THIS SURFACE. THE MARK CAN BE OMITTED IF THERE IS NOT ENOUGH SPACE ON THIS SURFACE.
- 5. PRODUCT SPECIFICATION GS-12-149.  
APPLICATION SPECIFICATION BUS-20-067.
- 6. PACKAGED IN TRAYS.

PCB NOTES:

- 7. ALL HOLE DIAMETERS ARE FINISHED HOLE SIZE.
- 8. MOUNTING HOLES, WHERE APPLICABLE, ARE UNPLATED.
- 9.  $\varnothing 1.151 \pm 0.025$  DRILLED HOLES PLATED WITH 0.008 MIN SnPb OR Sn OVER 0.03 TO 0.08 Cu PLATING TO ACHIEVE  $\varnothing 1.02 \pm 0.07$  HOLE.
- 10. CONNECTOR KEEP-OUT ZONE.



Copyright FCI.

dr	Ruan MT	2013/06/07	projection 	MM 	size	A4	scale	1:1		
eng	Ruan MT	2013/06/18			ecn no	-				
chr	-	-			product family	PwrBlade	rel level	Released		
appr	Pei-Ming Zheng	2013/06/18			title	108S RIGHT ANGLE SOLDER HEADER	dwg no	51939-783	rev	A
www.fci.com		cat. no.	-	Product - Customer Drw			sheet 4 of 4			