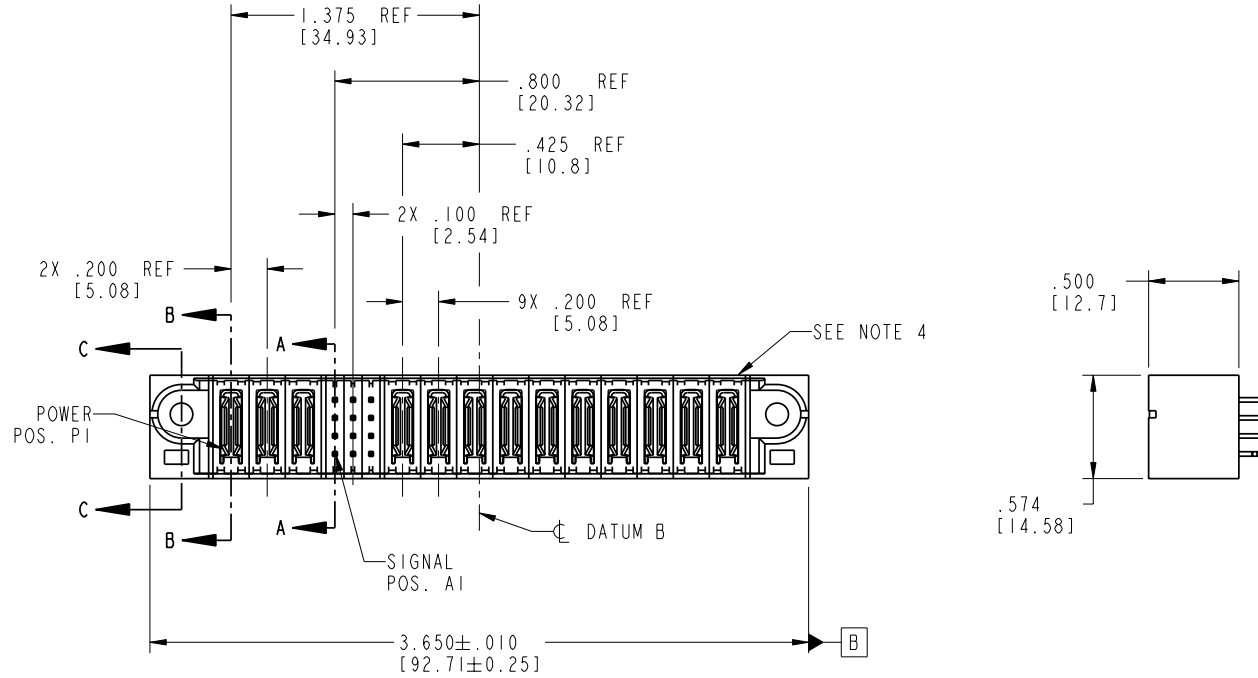


Tous droits strictement réservés. Reproduction ou communication à des tiers interdite sans quelque forme que ce soit sans autorisation écrite du propriétaire. Propriété de c FCI. Droits de reproduction FCI.

All rights strictly reserved. Reproduction or issue to third parties in any form whatever is not permitted without written authority from the proprietor. Property of FCI. Copyright FCI.

PRODUCT NO.	ROWS	POWER			SIG			POWER							E2				
		E1	P1	P2	P3	1	2	3	P4	P5	P6	P7	P8	P9		P10	P11	P12	P13
51952-093-- NOTE ③	0 UBA		PA	PA	PA				PA	PA	PA	PA	PA	PA	PA	PA	PA	PA	



CODE	DIM "M" MATING LENGTH	CONTACT TYPE
PA	N/A [N/A]	POWER
E	.270 [6.86]	SIGNAL
HA	N/A [N/A]	HOLD-DOWN

mat'l code SEE NOTE 2				tolerances unless otherwise specified		CUSTOMER		FCI www.fciconnect.com	
lfr	ecn no.	dr	date	linear	.XX±.01/0.X±0.3	COPY		projection	
A	DG06-0128	RYAN	03/24/06		.XXX±.005/0.XX±0.13	INCH/MM		title 3P + 12S + 10P VERTICAL STB HEADER	
				angles	.XXX±.002/0.XXX±0.051	scale 1:1		product family PwrBlade code 213	
				dr	RYAN YUAN 03/23/06			size dwg no 51952-093	
				engr	SALLY LUO 03/23/06			sheet 1 of 4	
				chr	BEER FU 03/23/06				
				appd	JOSEPH HSIA 03/23/06				
sheet index	revision	A	A	A	A				
	sheet	1	2	3	4				

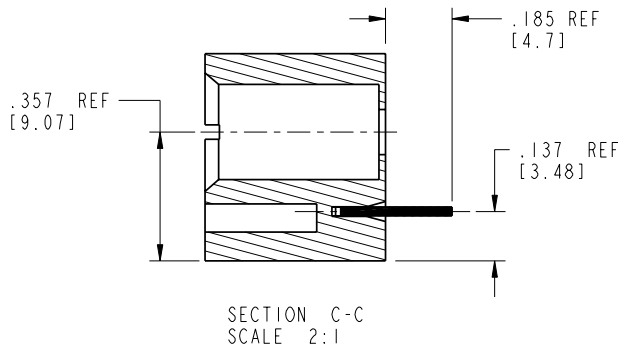
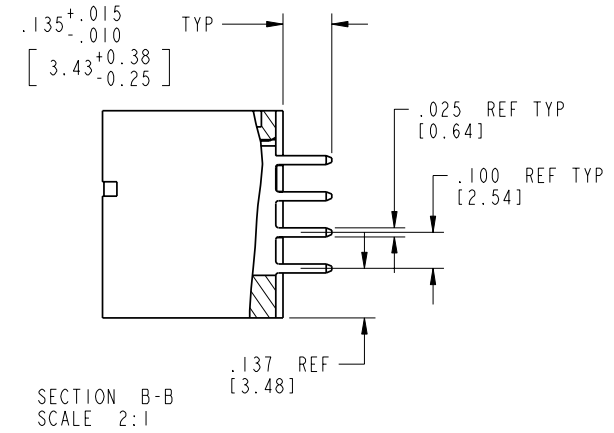
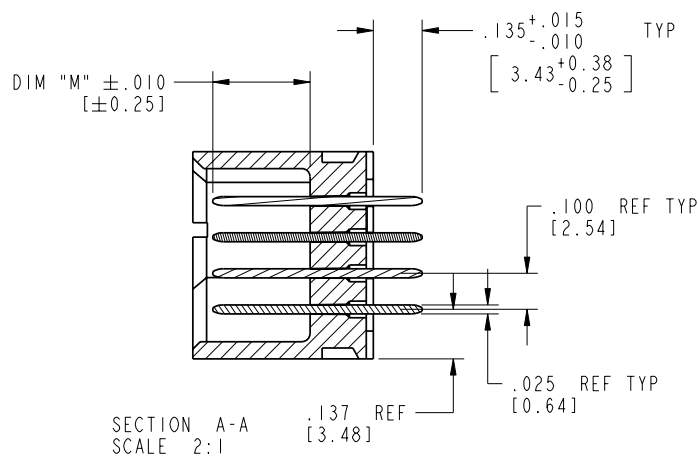
cage code 22526

Pro/E

Tous droits strictement réservés. Reproduction ou communication à des tiers interdite sans quelque forme que ce soit sans autorisation écrite du propriétaire. Propriété de c FCI. Droits de reproduction FCI.

All rights strictly reserved. Reproduction or issue to third parties in any form whatever is not permitted without written authority from the proprietor. Property of FCI. Copyright FCI.

PRODUCT NUMBER
51952-093--
NOTE ③



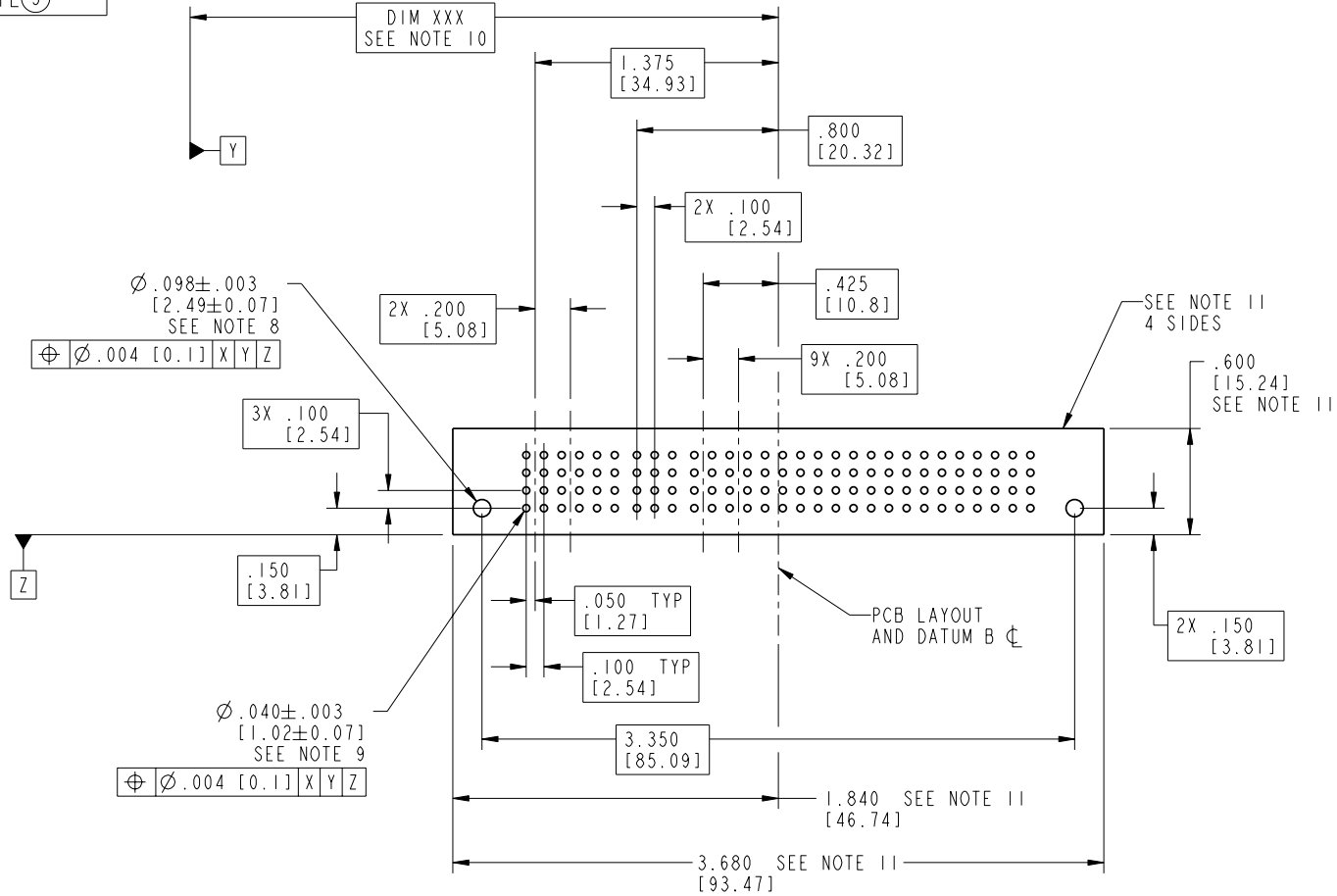
mat'l code		SEE NOTE 2		tolerances unless otherwise specified		CUSTOMER		 www.fciconnect.com	
lfr	ecn no.	dr	date	linear	.XX±.01/0.X±0.3	COPY			
A				linear	.XXX±.005/0.XX±0.13	projection		title	
				linear	.XXX±.002/0.XXX±0.051			3P + 12S + 10P VERTICAL STB HEADER	
				angles	0° ± 2°	INCH/MM		product family	
				dr	RYAN YUAN 03/23/06	scale		PwrBlade	
				enrg	SALLY LUO 03/23/06	1:1		code	
				chr	BEER FU 03/23/06			size	
				appd	JOSEPH HSIA 03/23/06			dwg no	
sheet index		revision sheet						A 51952-093	
								213	
								sheet 2 of 4	

cage code 22526

Tous droits strictement réservés. Reproduction ou communication à des tiers interdite sans quelque forme que ce soit sans autorisation écrite du propriétaire. Propriété de c FCI. Droits de reproduction FCI.

All rights strictly reserved. Reproduction or issue to third parties in any form without written authority from the proprietor. Property of FCI. Copyright FCI.

PRODUCT NUMBER
51952-093--
NOTE ③



mat'l code		SEE NOTE 2		tolerances unless otherwise specified		CUSTOMER		 www.fciconnect.com	
lfr	ecn no.	dr	date	linear	.XX±.01/0.X±0.3	projection	title		
A					.XXX±.005/0.XX±0.13		3P + 12S + 10P		
				angles	.XXX±.002/0.XXX±0.051		VERTICAL STB HEADER		
				dr	0° ± 2°	INCH/MM	product family	PwrBlade	code
				enrg	RYAN YUAN 03/23/06	scale	size	dwg no	213
				chr	SALLY LUO 03/23/06	1:1	A	51952-093	sheet
				appd	BEER FU 03/23/06				3 of 4
					JOSEPH HSIA 03/23/06				
sheet index	revision								
	sheet								

cage code 22526

PRODUCT NUMBER
51952-093--
NOTE ③

NOTES:

1. DIMENSIONS AND TOLERANCES ARE IN ACCORDANCE WITH ASME Y14.5M, 1994 UNLESS OTHERWISE SPECIFIED.

CONNECTOR NOTES:

- ② HOUSING MATERIAL: UL 94 V-0 GLASS FILLED HIGH-TEMP THERMOPLASTIC
POWER CONTACT MATERIAL: COPPER ALLOY
SIGNAL PIN MATERIAL: COPPER ALLOY
- ③ PLATING:
SEE PRINT 10064183 FOR PLATING SPEC OF 51952-093; 51952-093LF
- ④ MANUFACTURER'S NAME, P/N, AND DATE CODE TO APPEAR ON THIS SURFACE.
- 5. PRODUCT SPECIFICATION GS-12-149.
APPLICATION SPECIFICATION BUS-20-067.
- 6. PACKAGED IN TRAYS.

PCB NOTES:

- 7. ALL HOLE DIAMETERS ARE FINISHED HOLE SIZE.
- ⑨ MOUNTING HOLES, WHERE APPLICABLE, ARE UNPLATED.
- ⑧ $\varnothing .0453 \pm .0010$ [1.151 \pm 0.025] DRILLED HOLES PLATED WITH
.0003 [0.008] MIN SnPb OVER .001 [0.03]
TO .003 [0.08] Cu PLATING TO ACHIEVE
 $\varnothing .040 \pm .003$ [1.02 \pm .07] HOLE.
- ⑩ "DIM XXX" TO BE DETERMINED BY THE CUSTOMER.
- ⑪ CONNECTOR KEEP-OUT ZONE.

Tous droits strictement reserves. Reproduction ou communication a des tiers interdite sous quelque forme que ce soit sans autorisation ecrite du proprietaire. Propriete de c FCI. Droits de reproduction FCI.



All rights strictly reserved. Reproduction or issue to third parties in any form whatever is not permitted without written authority from the proprietor. Property of FCI. Copyright FCI.

mat'l code				SEE NOTE 2		tolerances unless otherwise specified		CUSTOMER		 www.fciconnect.com	
lfr	ecr no.	dr	date	linear	.XX±.01/0.X±0.3		COPY		projection	title	
A					.XXX±.005/0.XX±0.13					3P + 12S + 10P	
				angles	.XXX±.002/0.XXX±0.051		INCH/MM		VERTICAL STB HEADER		
				dr	0° ± 2°		scale		product family		
				engr	RYAN YUAN	03/23/06	1:1		PwrBlade		
				chr	SALLY LUO	03/23/06			code		
				appd	BEER FU	03/23/06			size		
					JOSEPH HSIA	03/23/06			dwg no		
sheet index		revision sheet						A		51952-093	
										213	
										sheet 4 of 4	