

Customer Information Sheet

DRAWING No.: G125-964XXF1

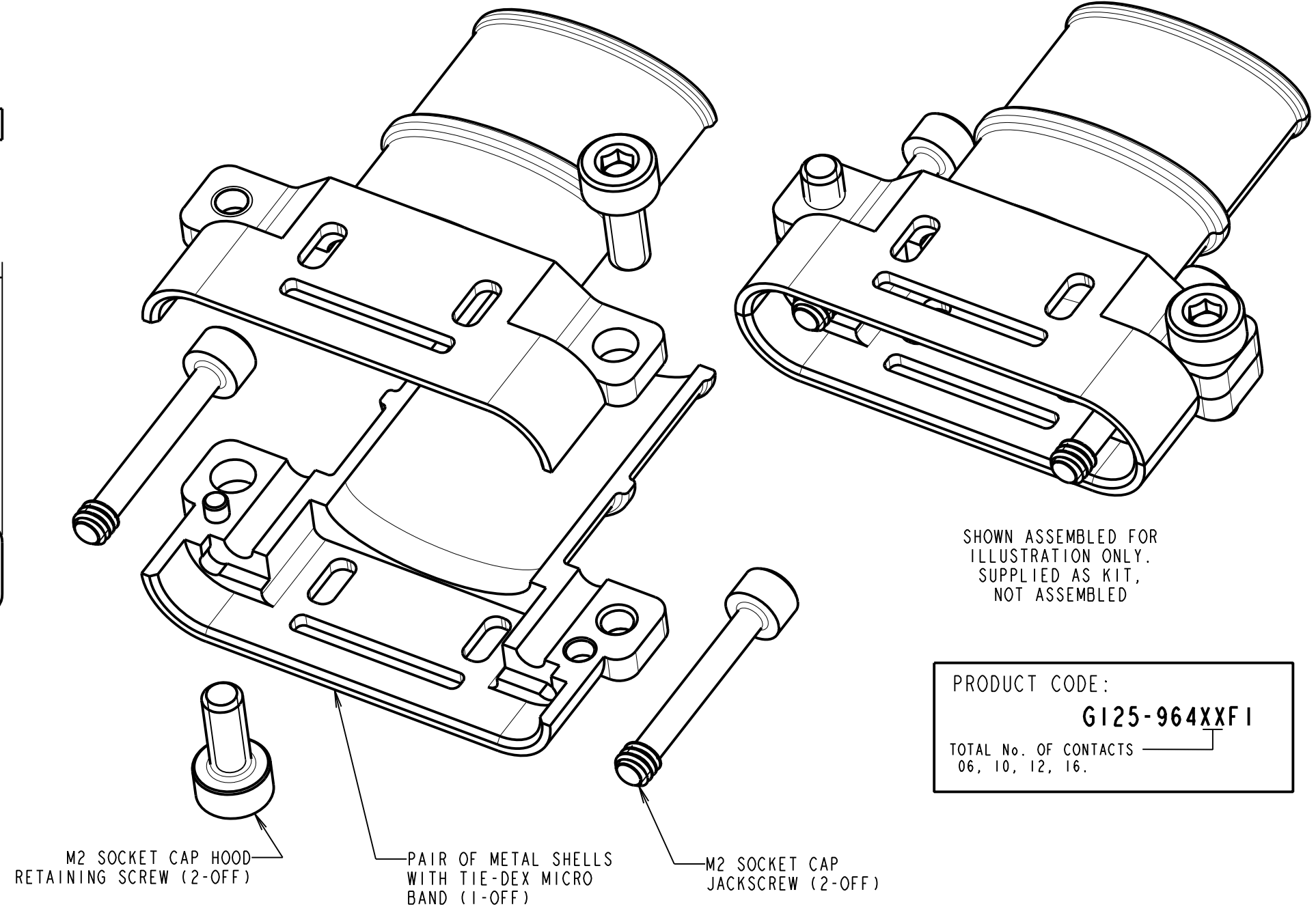
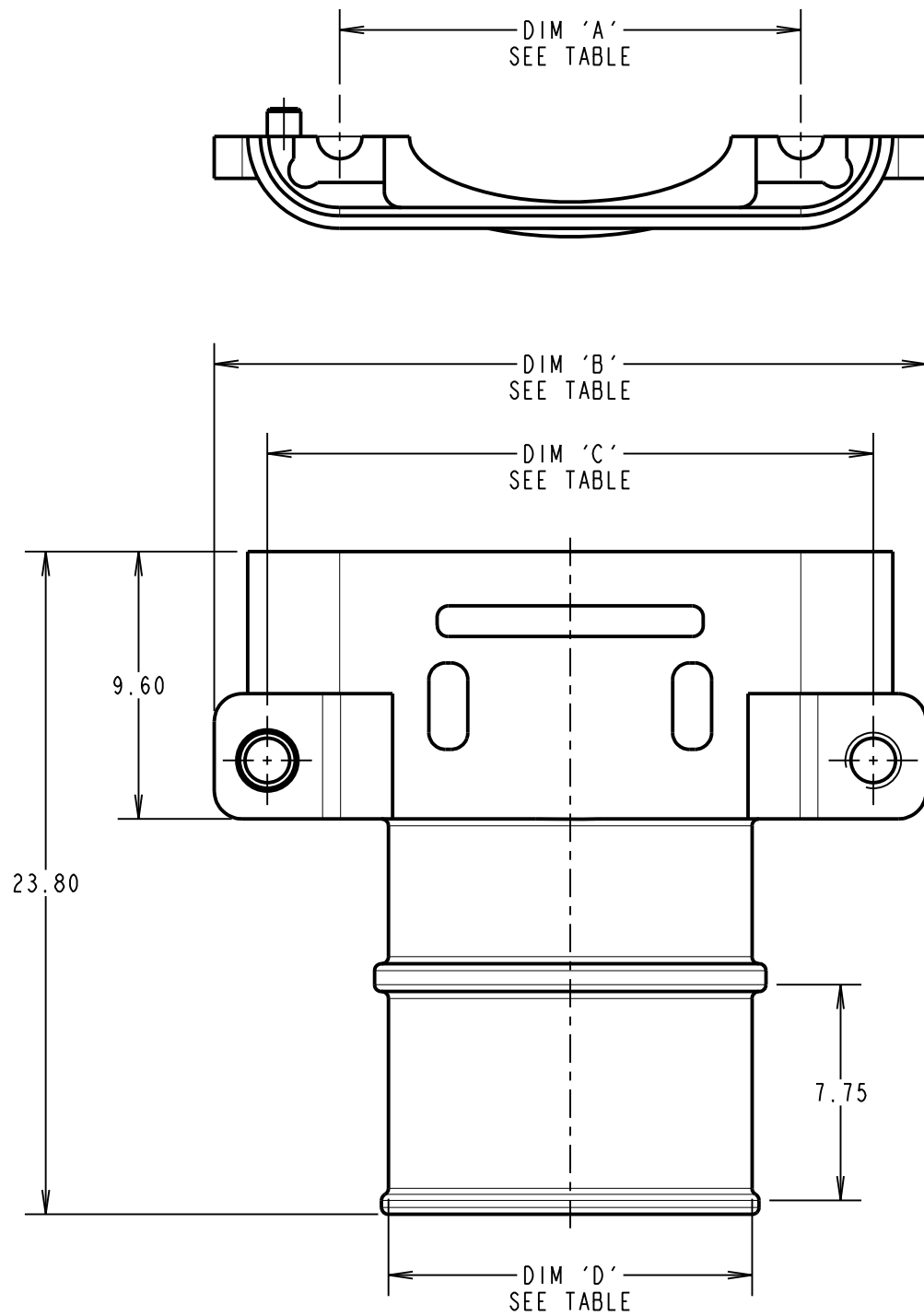
IF IN DOUBT - ASK

©

NOT TO SCALE

THIRD ANGLE PROJECTION

ALL DIMENSIONS IN mm



PRODUCT CODE:
G125-964XXF1
TOTAL No. OF CONTACTS ———
06, 10, 12, 16.

SPECIFICATION:
MATERIAL:
HOOD SHELL = ALUMINIUM
SCREWS AND TIE-BAND = STAINLESS STEEL
FINISH:
HOOD SHELL = NICKEL

NOTES:
1. SUPPLIED AS A KIT OF PARTS TO BE ASSEMBLED TO G125-224XX9600 SERIES OF CONNECTORS.
2. SUPPLIED WITH 1 x BAND-IT A31188 TIE-DEX MICRO BAND (NOT SHOWN). SUITABLE FOR USE WITH A30199 MICRO TIE-DEX II TOOL OR A59099 TOOL KIT.
3. FITTING TIE-BAND IS OPTIONAL.

PART NUMBER	DIM 'A'	DIM 'B'	DIM 'C'	DIM 'D'
G125-96406F1	10.30	19.30	15.50	6.80
G125-96410F1	12.80	21.80	18.00	9.30
G125-96412F1	14.05	23.05	19.25	10.55
G125-96416F1	16.55	25.55	21.75	13.05

MGP	B	16.12.16	20316
NAME	ISS.	DATE	C/NOTE
APPROVED: MGP			
CHECKED: MS			
DRAWN: MARK G PLESTED			
CUSTOMER REF.:			
ASSEMBLY DRG:			

 www.harwin.com technical@harwin.com	THIS DRAWING AND ANY INFORMATION OR DESCRIPTIVE MATTER SET OUT HEREON ARE CONFIDENTIAL AND COPYRIGHT PROPERTY OF THE HARWIN GROUP AND MUST NOT BE DISCLOSED, LOANED, COPIED OR USED FOR MANUFACTURING, TENDERING OR FOR ANY OTHER PURPOSE WITHOUT THEIR WRITTEN PERMISSION.	TOLERANCES	MATERIAL:	TITLE:
		X. = ±1mm X.X = ±0.50mm X.XX = ±0.10mm X.XXX = ±0.01mm ANGLES = ±5° UNLESS STATED	SEE ABOVE	G125 J-TEK SERIES HOOD KIT
			FINISH: SEE ABOVE	DRAWING NUMBER:
			S/AREA: mm ²	G125-964XXF1
				SHT 2 OF 2