

A

B

C

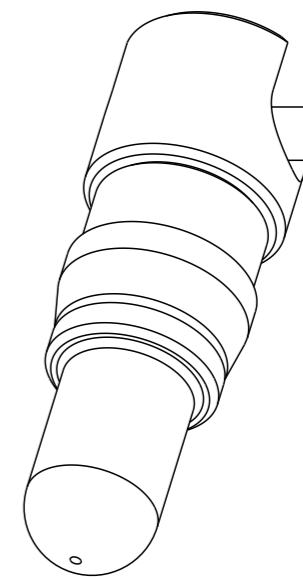
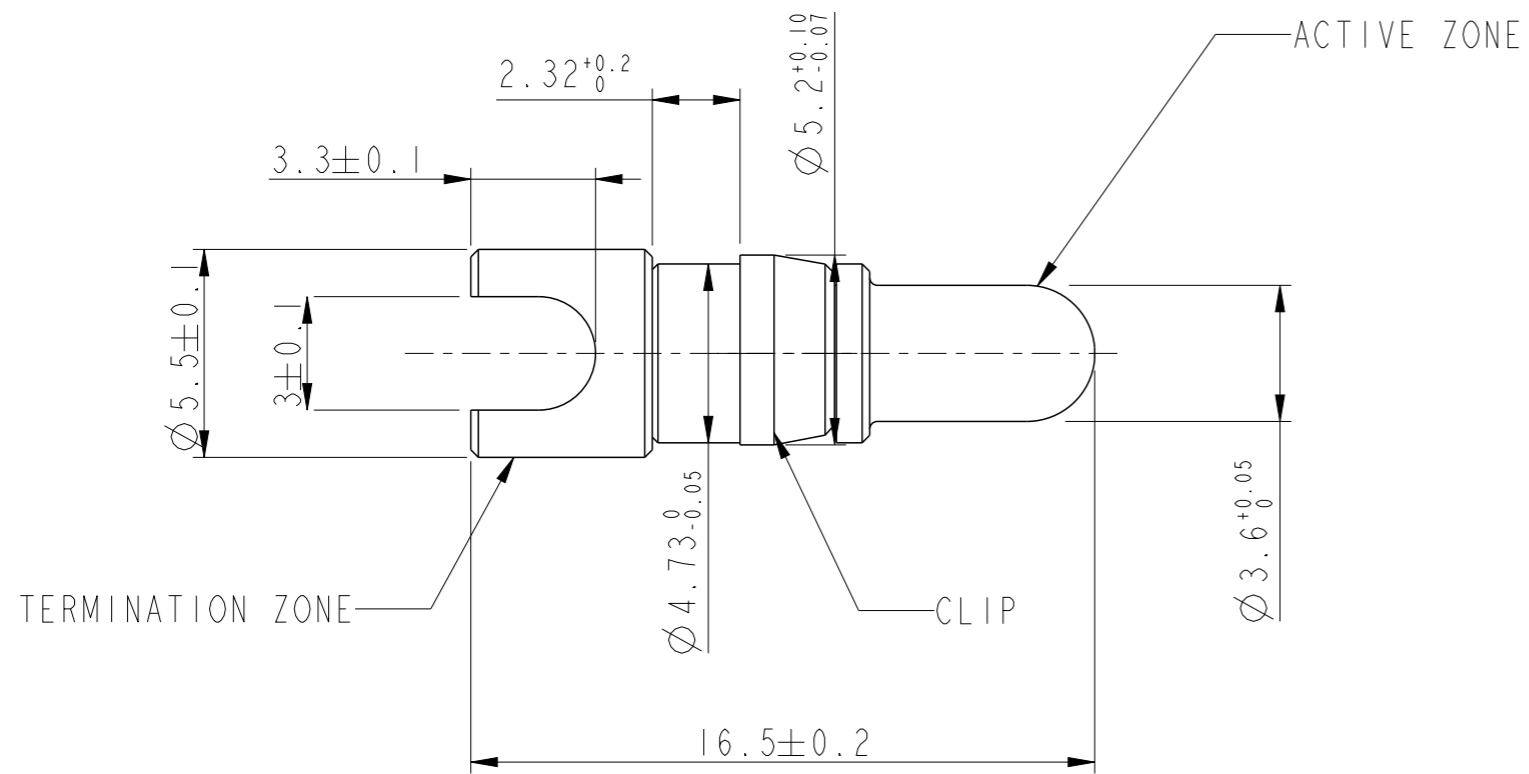
D

A

B

C

D



MATERIAL AND FINISH

Active zone

Material: Brass

Plating: Ni + gold

Termination zone (soldering sleeve)

Material: Brass

Plating: Cu over Tin pure matte

Clip

Material: Beryllium Copper

Plating: Nickel

MECHANICAL CHARACTERISTICS

Mechanical endurance : 200 matings/unmatings

Contact insertion force on the insulator

max 60N on a hole of 4.80mm

ELECTRICAL CHARACTERISTICS

Current max : 30A

PACKAGING

Single Contact in Individual Plastic Cover

Part Number 10123813-101LF

NOTE : ROHS INFORMATION

The product meet the European union directives and others countries regulations as described on the GS-47-0004

spec ref -		dr Paul Mithun	2015/02/10	projection	MM	size A3	scale 5:1
tolerance std ISO 406 ISO 1101		eng Paul Mithun	2015/02/10			ecn no -	rel level Released
TOLERANCES UNLESS OTHERWISE SPECIFIED		chr -	-				
surface - ISO 1302	linear	0.X	±0.3		title SLOTTED POWER CONTACT STRAIGHT 30A	dwg no 10123813	rev A
		0.XX	±0.10				
		0.XXX	±0.005				
	angular	0°	±2°	www.fci.com	cat. no. -	Product - Customer Drw	sheet 1 of 1



Copyright FCI.