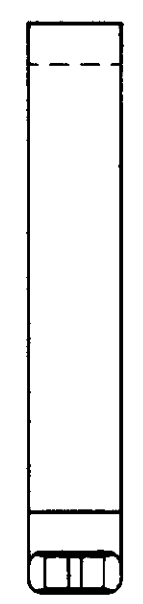
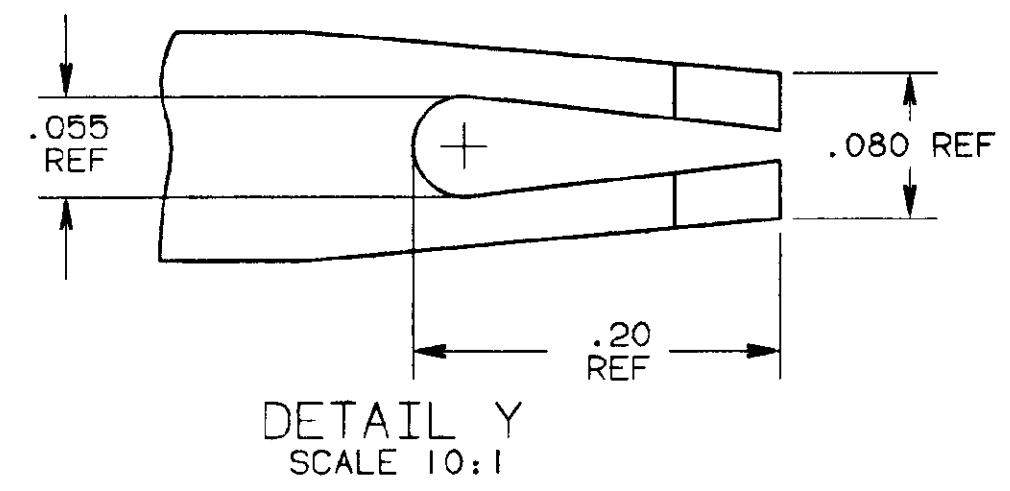
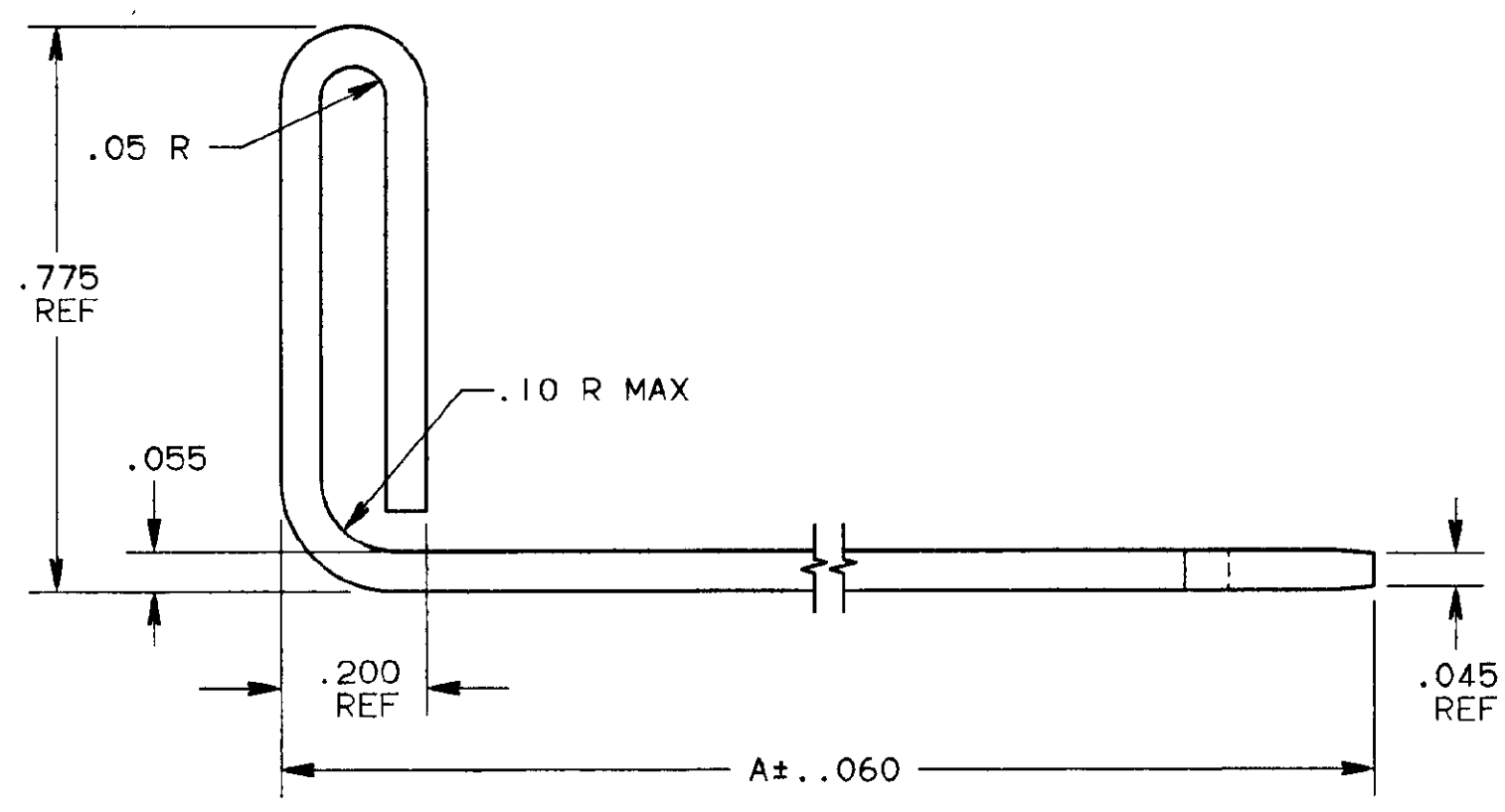
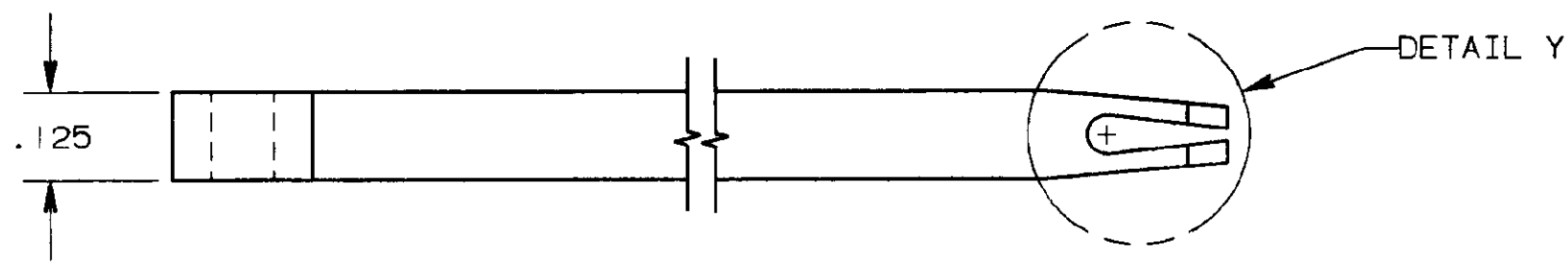


LOC	DIST	REVISIONS						
AD	14	P	F	ZONE	LTR	DESCRIPTION	DATE	APPR
				H3		REVISED PER ECO-12-019723	11FEB13	MH

△ OBSOLETE PARTS: OBSOLETE CIS STREAMLINING PER D.RENAUD/D.SINISI



OBSOLETE	8.25	3-531004-2
OBSOLETE	14.5	3-531004-1
	3.30	3-531004-0
	2.70	2-531004-9
	2.20	2-531004-8
OBSOLETE	10.00	2-531004-6
OBSOLETE	9.75	2-531004-5
OBSOLETE	8.50	2-531004-4
OBSOLETE	10.50	2-531004-2
OBSOLETE	13.12	2-531004-1
OBSOLETE	12.50	2-531004-0
OBSOLETE	8.00	1-531004-8
△ OBSOLETE	6.75	1-531004-7
	6.75	1-531004-6
OBSOLETE	5.75	1-531004-5
	5.00	1-531004-4
OBSOLETE	4.25	1-531004-3
OBSOLETE	7.25	531004-9
OBSOLETE	6.63	531004-8
△ OBSOLETE	6.00	531004-7
	5.55	531004-6
OBSOLETE	5.25	531004-5
OBSOLETE	4.75	531004-4

UNLESS OTHERWISE SPECIFIED DIMENSIONS ARE IN INCHES TOLERANCES ON: 2 PL DEC ± .02 3 PL DEC ± .010 ANGLES ±	DR	K.NOLT	6/2/89	TE Connectivity NAME CAM ROD, ZIF MODEL II				
	CHK	D.GORENC	6/2/89					
	MATERIAL	APPD	D.GORENC	6/2/89	SIZE	FSCM NO	DRAWING NO	REV
	STAINLESS STEEL	PRODUCT SPEC			C	00779	531004	H3
FINISH	APPLICATION SPEC			SCALE	4:1	SHEET	1 OF 1	
	WEIGHT			CUSTOMER DRAWING				