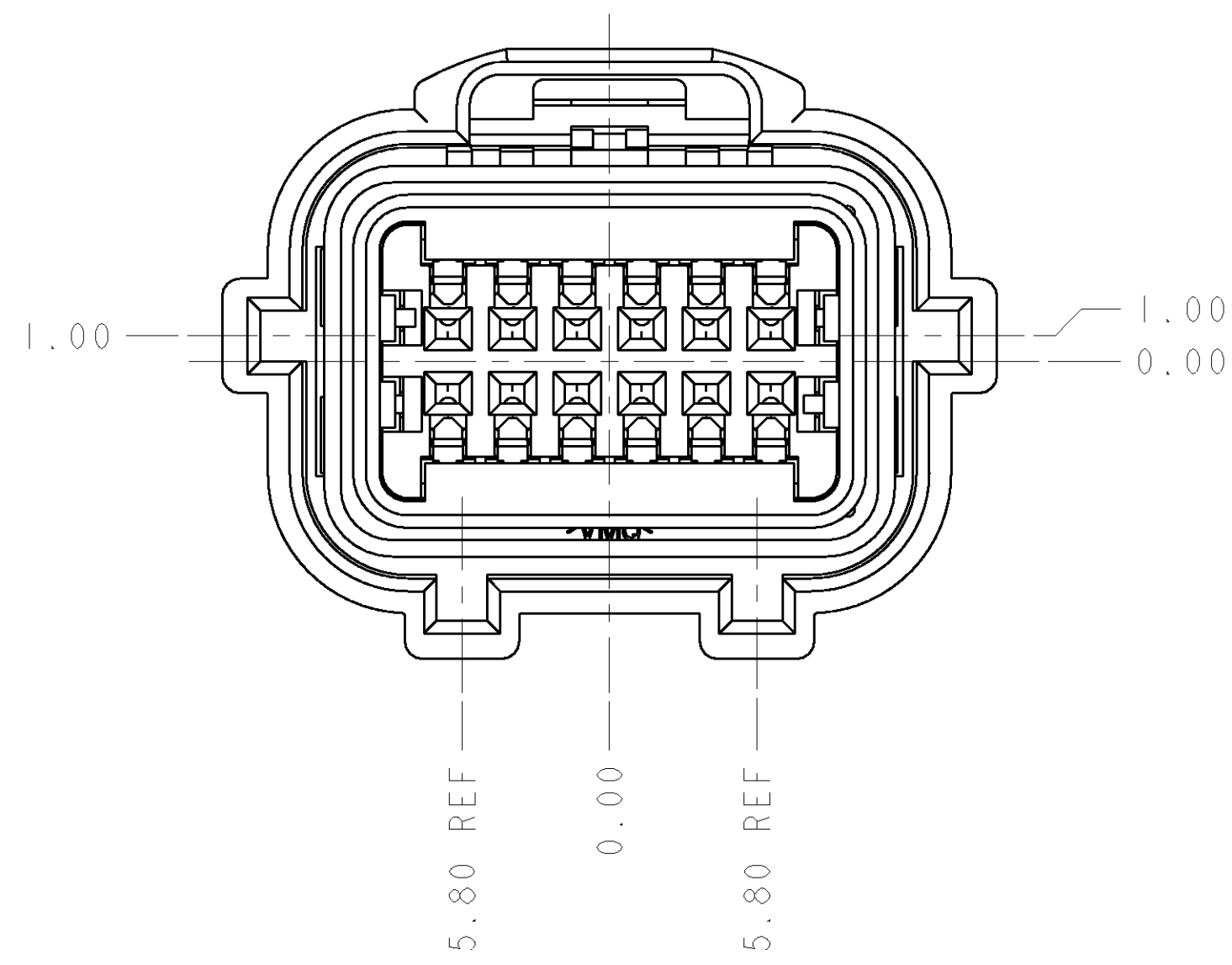
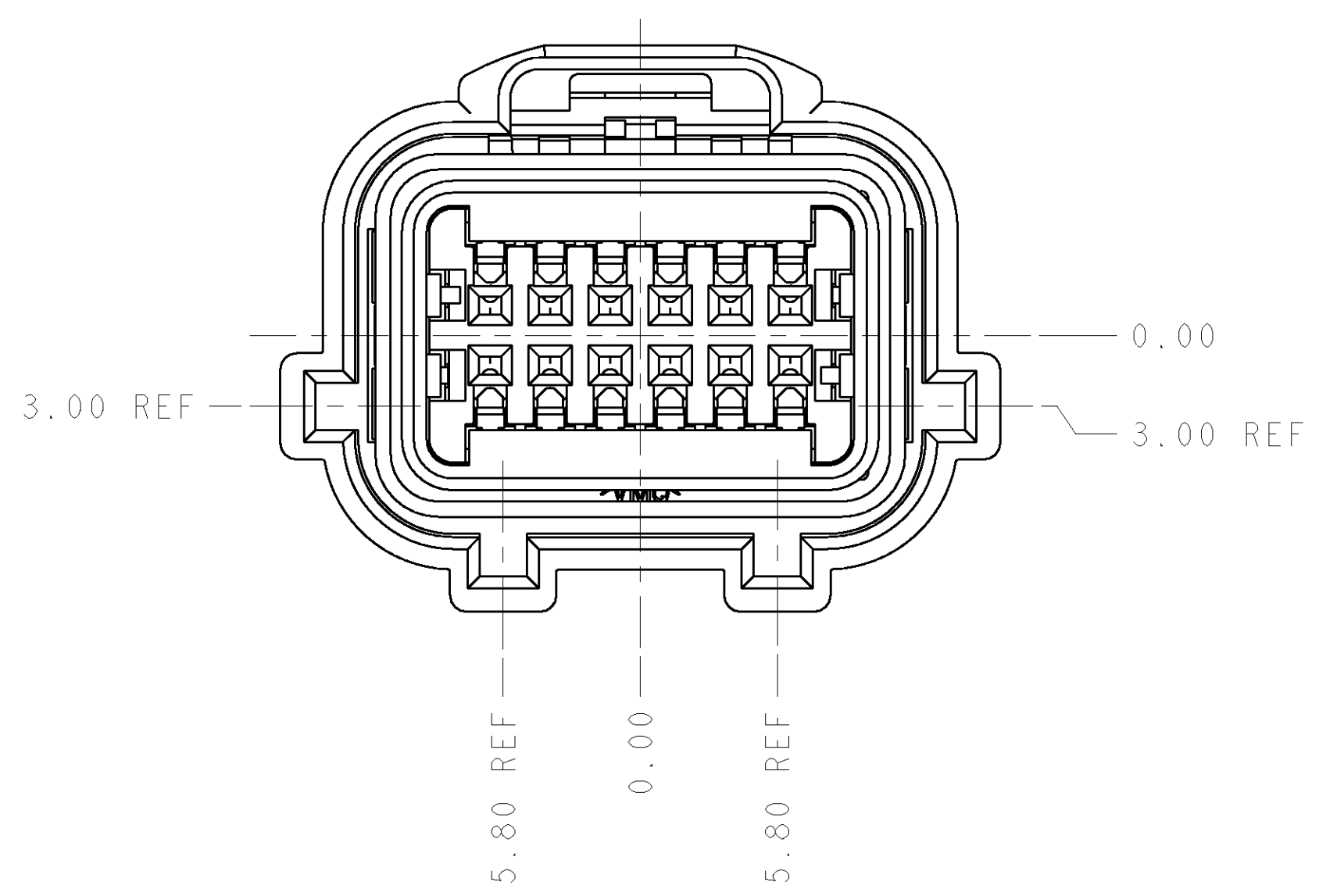




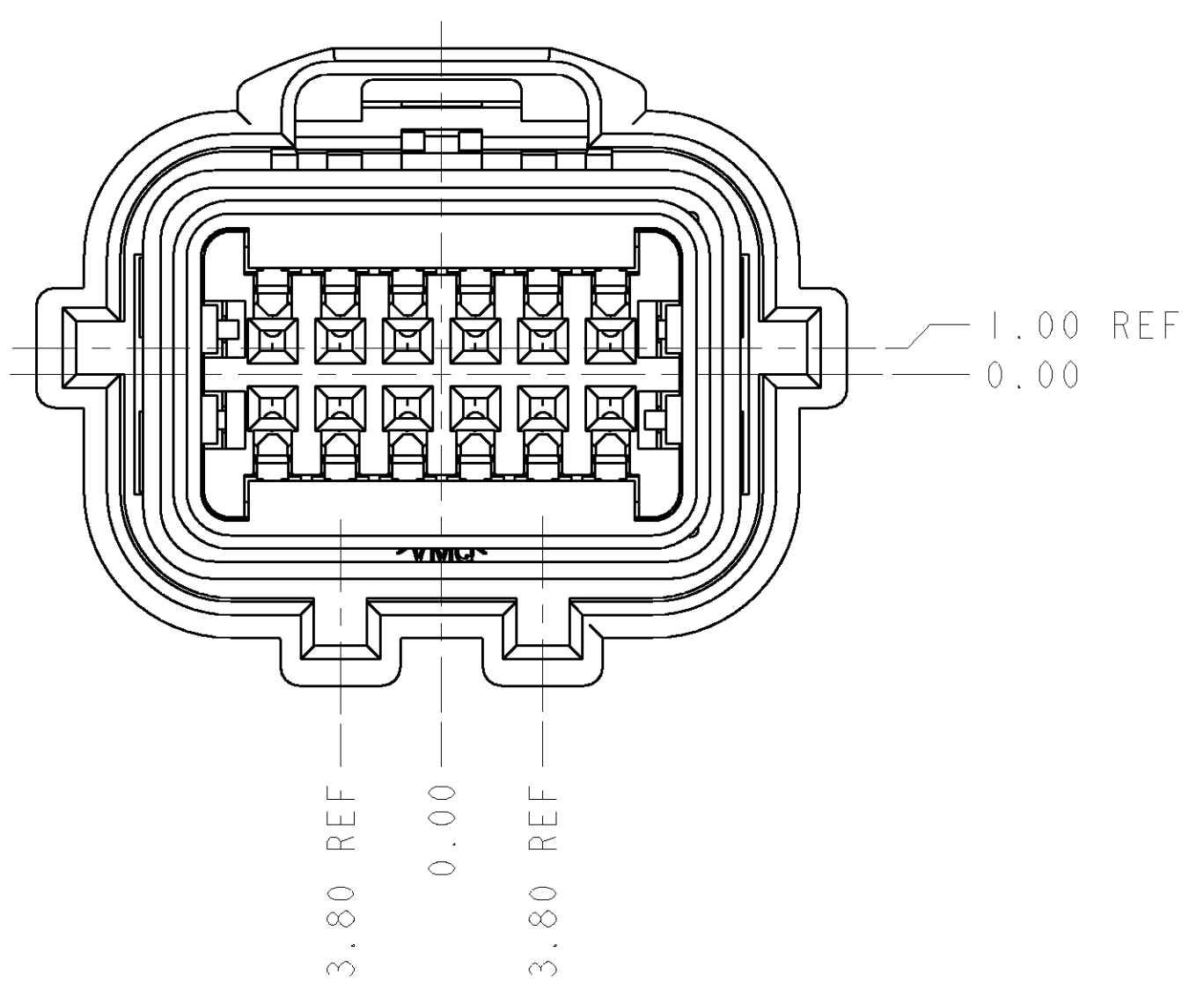
REVISONS		DATE	DWN	APVD
FX	00	SEE SHEET 1	-	-



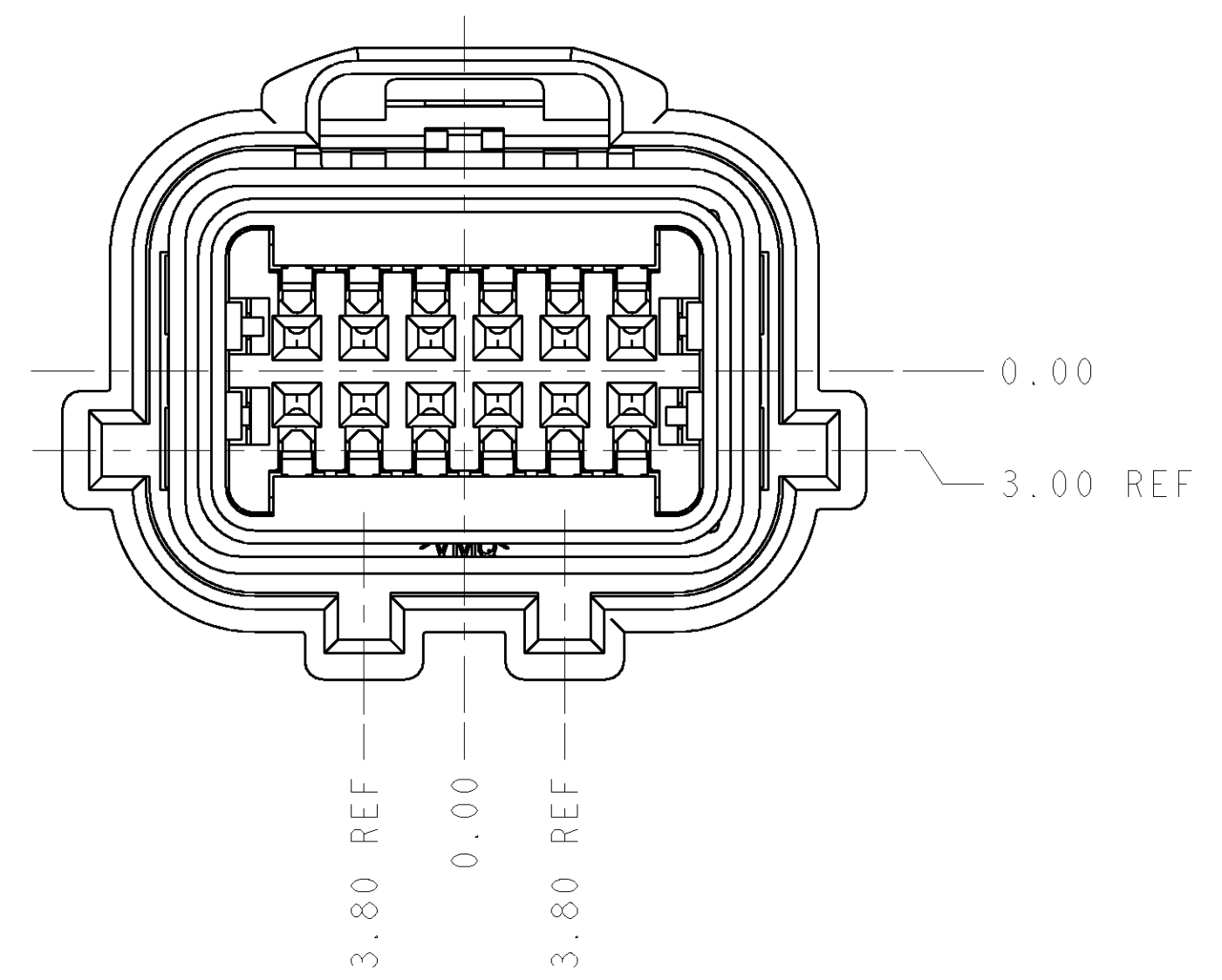
KEY CODE "A"  
 (APPLIES TO -1 AND -5 ONLY)  
 SCALE 4:1



KEY CODE "B"  
 (APPLIES TO -2 AND -6 ONLY)  
 SCALE 4:1



KEY CODE "C"  
 (APPLIES TO -3 AND -7 ONLY)  
 SCALE 4:1



KEY CODE "D"  
 (APPLIES TO -4, -8, -21, -22 AND -52)  
 SCALE 4:1

<small>THE INFORMATION CONTAINED HEREIN IS UNCLASSIFIED EXCEPT WHERE SHOWN OTHERWISE. IT IS SUBJECT TO CHANGE WITHOUT NOTICE AND WITHOUT LIABILITY TO THE ORIGINAL ORIGINATOR.</small>		DWN M SHORE 4MAY01 CHK M SHORE 4MAY01 APVD S BALON 4MAY01	<b>tyco</b> Electronics Tyco Electronics Harrisburg, PA 17105-3608
DIMENSIONS: mm 	TOLERANCES UNLESS OTHERWISE SPECIFIED: 9 PLC ± 1 PLC ±0.2 3 PLC ±0.10 4 PLC ± ANGLES ±	NAME PRODUCT SPEC APPLICATION SPEC WEIGHT CUSTOMER DRAWING	PLUG ASSEMBLY, 12 POSITION 2X6, SEALED, 0.64mm CONNECTOR SIZE CAGE CODE DRAWING NO A 00779 C=638518 SCALE 4:1 SHEET 2 OF 2 REV M