

Silicon Carbide Junction Transistor/Schottky Diode Co-Pack

V_{DS}	=	1200 V
$R_{DS(ON)}$	=	100 mΩ
I_D (@ 25°C)	=	25 A
I_D (@ 150°C)	=	10 A
h_{FE} (@ 25°C)	=	100

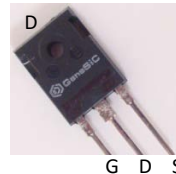
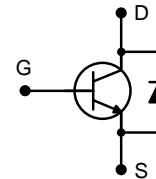
Features

- 175 °C Maximum Operating Temperature
- Gate Oxide Free SiC Switch
- Exceptional Safe Operating Area
- Integrated SiC Schottky Rectifier
- Excellent Gain Linearity
- Temperature Independent Switching Performance
- Low Output Capacitance
- Positive Temperature Coefficient of $R_{DS,ON}$
- Suitable for Connecting an Anti-parallel Diode

Advantages

- Compatible with Si MOSFET/IGBT Gate Drive ICs
- > 20 μs Short-Circuit Withstand Capability
- Lowest-in-class Conduction Losses
- High Circuit Efficiency
- Minimal Input Signal Distortion
- High Amplifier Bandwidth
- Reduced cooling requirements
- Reduced system size

Package


TO-247AB


Applications

- Down Hole Oil Drilling, Geothermal Instrumentation
- Hybrid Electric Vehicles (HEV)
- Solar Inverters
- Switched-Mode Power Supply (SMPS)
- Power Factor Correction (PFC)
- Induction Heating
- Uninterruptible Power Supply (UPS)
- Motor Drives

Table of Contents

Section I: Absolute Maximum Ratings	1
Section II: Static Electrical Characteristics	2
Section III: Dynamic Electrical Characteristics	2
Section IV: Figures	4
Section V: Driving the GA10SICP12-247	7
Section VI: Package Dimensions	11
Section VII: SPICE Model Parameters	12

Section I: Absolute Maximum Ratings

Parameter	Symbol	Conditions	Value	Unit	Notes
SiC Junction Transistor					
Drain – Source Voltage	V_{DS}	$V_{GS} = 0 V$	1200	V	
Continuous Drain Current	I_D	$T_C = 25^\circ C$	25	A	Fig. 11
Continuous Drain Current	I_D	$T_C = 150^\circ C$	10	A	Fig. 11
Continuous Gate Current	I_G		1.3	A	
Turn-Off Safe Operating Area	RBSOA	$T_{VJ} = 175^\circ C$, Clamped Inductive Load	$I_{D,max} = 10$ @ $V_{DS} \leq V_{DSmax}$	A	Fig. 13
Short Circuit Safe Operating Area	SCSOA	$T_{VJ} = 175^\circ C$, $I_G = 1 A$, $V_{DS} = 800 V$, Non Repetitive	>20	μs	
Reverse Gate – Source Voltage	V_{SG}		30	V	
Reverse Drain – Source Voltage	V_{SD}		25	V	
Power Dissipation	P_{tot}	$T_C = 25^\circ C / 150^\circ C$, $t_p > 100 ms$	170 / 22	W	Fig. 10
Operating and storage temperature	T_{stg}		-55 to 175	°C	

Parameter	Symbol	Conditions	Value	Unit	Notes
Free-Wheeling SiC Diode					
Repetitive peak reverse voltage	V_{RRM}		1200	V	
Continuous forward current	I_F	$T_C \leq 150\text{ }^\circ\text{C}$	10	A	
RMS forward current	$I_{F(RMS)}$	$T_C \leq 150\text{ }^\circ\text{C}$	17	A	
Surge non-repetitive forward current, Half Sine Wave	I_{FSM}	$T_C = 25\text{ }^\circ\text{C}$, $t_p = 10\text{ ms}$	65	A	
		$T_C = 150\text{ }^\circ\text{C}$, $t_p = 10\text{ ms}$	55	A	
Non-repetitive peak forward current	$I_{F,max}$	$T_C = 25\text{ }^\circ\text{C}$, $t_p = 10\text{ }\mu\text{s}$	280	A	
I^2t value	$\int i^2 dt$	$T_C = 25\text{ }^\circ\text{C}$, $t_p = 10\text{ ms}$	21	A^2s	
		$T_C = 115\text{ }^\circ\text{C}$, $t_p = 10\text{ ms}$	15	A^2s	

Thermal Characteristics

Thermal resistance, junction - case	R_{thJC}	SiC Junction Transistor	0.88	$^\circ\text{C/W}$	
Thermal resistance, junction - case	R_{thJC}	SiC Diode	0.8	$^\circ\text{C/W}$	

Section II: Static Electrical Characteristics

Parameter	Symbol	Conditions	Value			Unit	Notes
			Min.	Typical	Max.		
A: On State							
Drain – Source On Resistance	$R_{DS(ON)}$	$I_D = 10\text{ A}$, $T_J = 25\text{ }^\circ\text{C}$		100		m Ω	Fig. 4
		$I_D = 10\text{ A}$, $T_J = 150\text{ }^\circ\text{C}$		160			
		$I_D = 10\text{ A}$, $T_J = 175\text{ }^\circ\text{C}$		180			
Gate – Source Saturation Voltage	$V_{GS,SAT}$	$I_D = 10\text{ A}$, $I_D/I_G = 40$, $T_J = 25\text{ }^\circ\text{C}$		3.50		V	Fig. 7
		$I_D = 10\text{ A}$, $I_D/I_G = 30$, $T_J = 175\text{ }^\circ\text{C}$		3.27			
DC Current Gain	h_{FE}	$V_{DS} = 8\text{ V}$, $I_D = 10\text{ A}$, $T_J = 25\text{ }^\circ\text{C}$		100		–	Fig. 5
		$V_{DS} = 8\text{ V}$, $I_D = 10\text{ A}$, $T_J = 125\text{ }^\circ\text{C}$		65			
		$V_{DS} = 8\text{ V}$, $I_D = 10\text{ A}$, $T_J = 175\text{ }^\circ\text{C}$		58			
FWD forward voltage	V_F	$I_F = 10\text{ A}$, $T_J = 25\text{ }^\circ\text{C}$		1.5	1.8	V	
		$I_F = 10\text{ A}$, $T_J = 175\text{ }^\circ\text{C}$		2.6	3.0		
B: Off State							
Drain Leakage Current	I_{DSS}	$V_{DS} = 1200\text{ V}$, $V_{GS} = 0\text{ V}$, $T_J = 25\text{ }^\circ\text{C}$		5	25	μA	Fig. 8
		$V_{DS} = 1200\text{ V}$, $V_{GS} = 0\text{ V}$, $T_J = 125\text{ }^\circ\text{C}$		8	40		
		$V_{DS} = 1200\text{ V}$, $V_{GS} = 0\text{ V}$, $T_J = 175\text{ }^\circ\text{C}$		10	50		
Gate Leakage Current	I_{SG}	$V_{SG} = 20\text{ V}$, $T_J = 25\text{ }^\circ\text{C}$		20		nA	

Section III: Dynamic Electrical Characteristics

Parameter	Symbol	Conditions	Value			Unit	Notes
			Min.	Typical	Max.		
A: Capacitance and Gate Charge							
Input Capacitance	C_{iss}	$V_{GS} = 0\text{ V}$, $V_{DS} = 800\text{ V}$, $f = 1\text{ MHz}$		1403		pF	Fig. 9
Reverse Transfer Capacitance	C_{riss}	$V_{DS} = 800\text{ V}$, $f = 1\text{ MHz}$		30		pF	Fig. 9
Total FWD capacitance	C_{FWD}	$V_R = 1\text{ V}$, $f = 1\text{ MHz}$, $T_J = 25\text{ }^\circ\text{C}$		490		pF	
		$V_R = 400\text{ V}$, $f = 1\text{ MHz}$, $T_J = 25\text{ }^\circ\text{C}$		45			
		$V_R = 1000\text{ V}$, $f = 1\text{ MHz}$, $T_J = 25\text{ }^\circ\text{C}$		33			
Gate-Source Charge	Q_{GS}	$V_{GS} = -5\dots3\text{ V}$		11		nC	
Gate-Drain Charge	Q_{GD}	$V_{GS} = 0\text{ V}$, $V_{DS} = 0\dots800\text{ V}$		44		nC	
Gate Charge - Total	Q_G			55		nC	
Total FWD capacitive charge	$Q_{C,FWD}$	$I_F \leq I_{F,MAX}$ $di_F/dt = 200\text{ A}/\mu\text{s}$ $T_J = 175\text{ }^\circ\text{C}$	$V_R = 400\text{ V}$	31		nC	
			$V_R = 960\text{ V}$	52			

B: Switching¹

Internal Gate Resistance – zero bias	$R_{G(INT-ZERO)}$	$f = 1 \text{ MHz}, V_{AC} = 50 \text{ mV}, V_{DS} = 0 \text{ V}, V_{GS} = 0 \text{ V}, T_j = 175 \text{ }^\circ\text{C}$	2.6	Ω
Internal Gate Resistance – ON	$R_{G(INT-ON)}$	$V_{GS} > 2.5 \text{ V}, V_{DS} = 0 \text{ V}, T_j = 175 \text{ }^\circ\text{C}$	0.19	Ω
Turn On Delay Time	$t_{d(on)}$	$T_j = 25 \text{ }^\circ\text{C}, V_{DS} = 800 \text{ V}, I_D = 10 \text{ A}, \text{ Resistive Load}$	10	ns
Fall Time, V_{DS}	t_f	Refer to Section V for additional driving information.	9	ns
Turn Off Delay Time	$t_{d(off)}$		22	ns
Rise Time, V_{DS}	t_r		9	ns
Turn On Delay Time	$t_{d(on)}$		9	ns
Fall Time, V_{DS}	t_f	$T_j = 175 \text{ }^\circ\text{C}, V_{DS} = 800 \text{ V}, I_D = 10 \text{ A}, \text{ Resistive Load}$	8	ns
Turn Off Delay Time	$t_{d(off)}$		35	ns
Rise Time, V_{DS}	t_r		9	ns
Turn-On Energy Per Pulse	E_{on}	$T_j = 25 \text{ }^\circ\text{C}, V_{DS} = 800 \text{ V}, I_D = 10 \text{ A}, \text{ Inductive Load}$	142	μJ
Turn-Off Energy Per Pulse	E_{off}	Refer to Section V.	7	μJ
Total Switching Energy	E_{tot}		149	μJ
Turn-On Energy Per Pulse	E_{on}		142	μJ
Turn-Off Energy Per Pulse	E_{off}	$T_j = 175 \text{ }^\circ\text{C}, V_{DS} = 800 \text{ V}, I_D = 10 \text{ A}, \text{ Inductive Load}$	6	μJ
Total Switching Energy	E_{tot}		148	μJ

¹ – All times are relative to the Drain-Source Voltage V_{DS}

Section IV: Figures

A: Static Characteristics

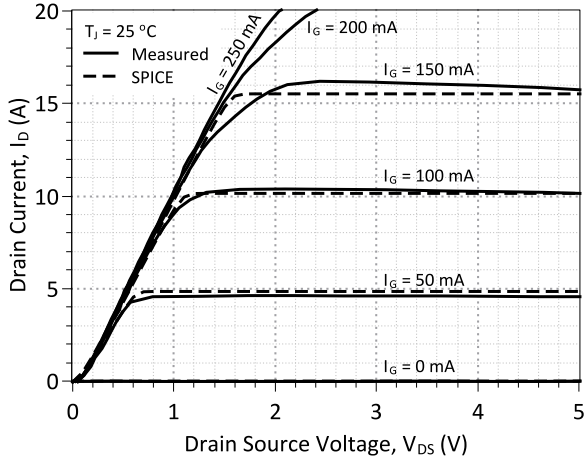


Figure 1: Typical Output Characteristics at 25 °C

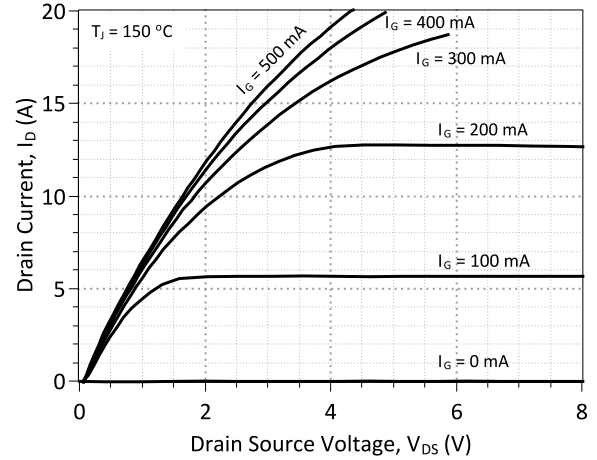


Figure 2: Typical Output Characteristics at 150 °C

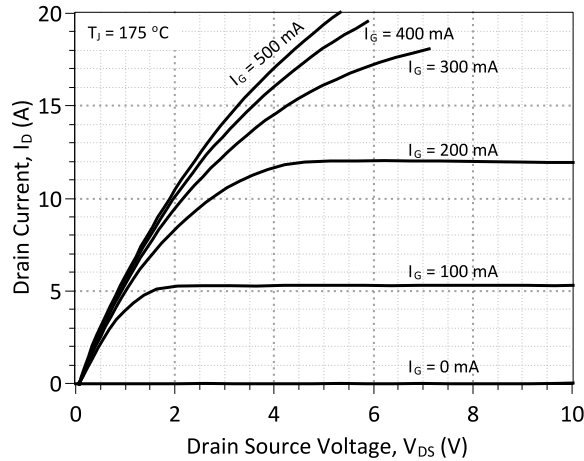


Figure 3: Typical Output Characteristics at 175 °C

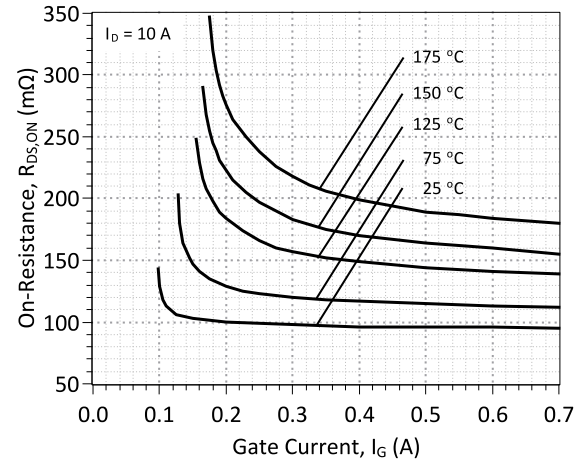


Figure 4: On-Resistance vs. Gate Current

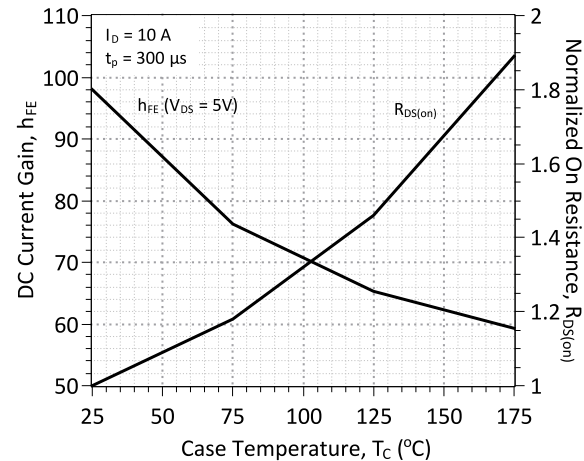


Figure 5: DC Current Gain and Normalized On-Resistance vs. Temperature

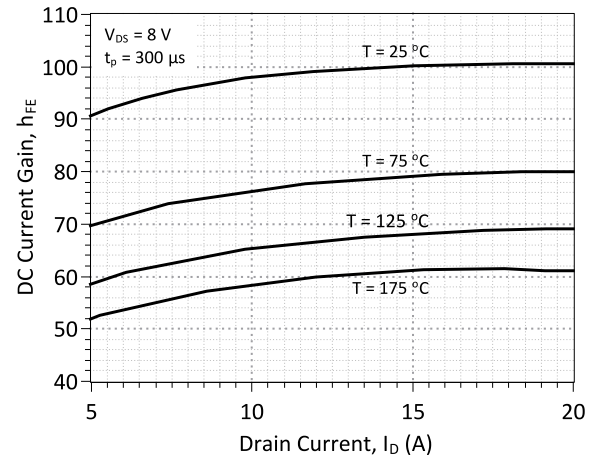


Figure 6: DC Current Gain vs. Drain Current

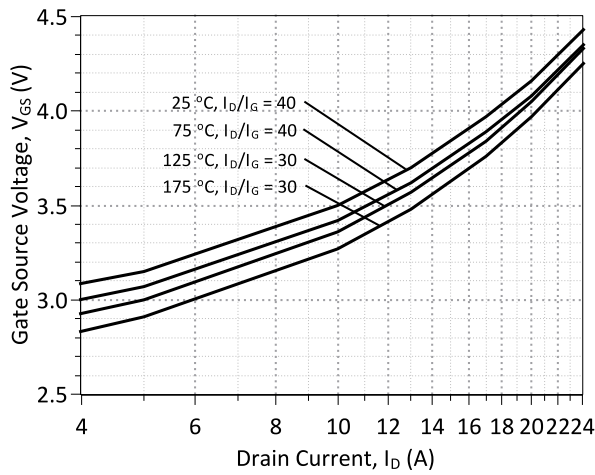


Figure 7: Typical Gate – Source Saturation Voltage

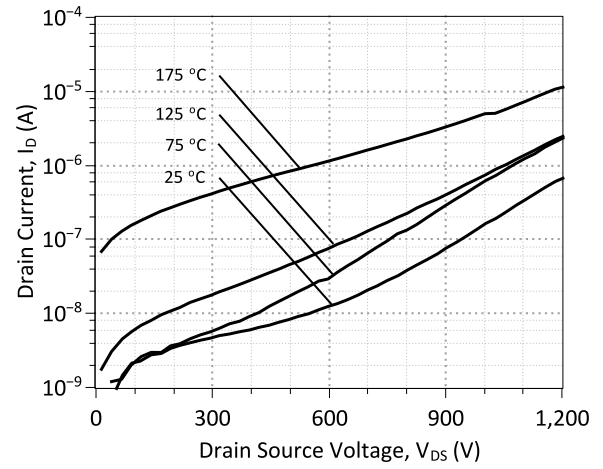


Figure 8: Typical Blocking Characteristics

B: Dynamic Characteristics

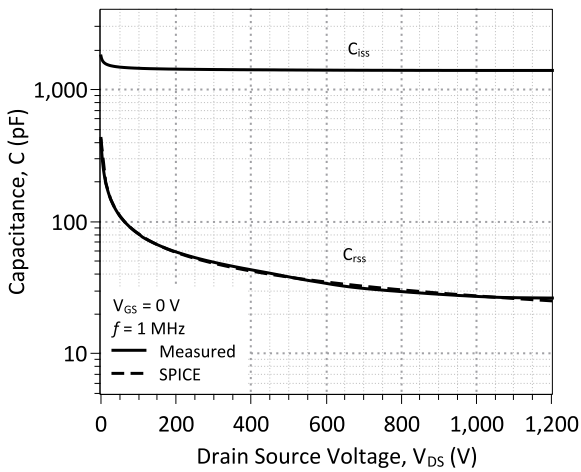


Figure 9: Input and Reverse Transfer Capacitance

C: Current and Power Derating

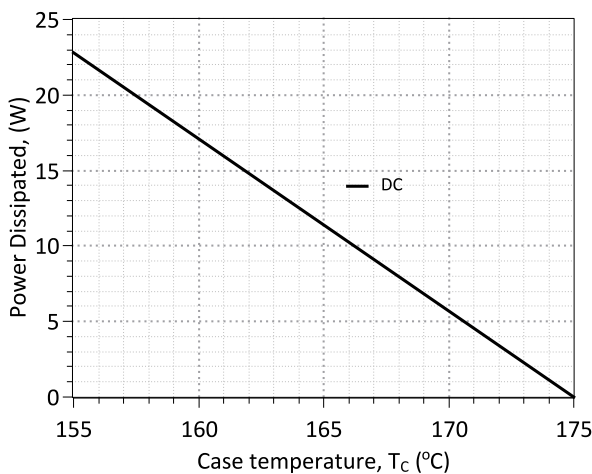


Figure 10: Power Derating Curve

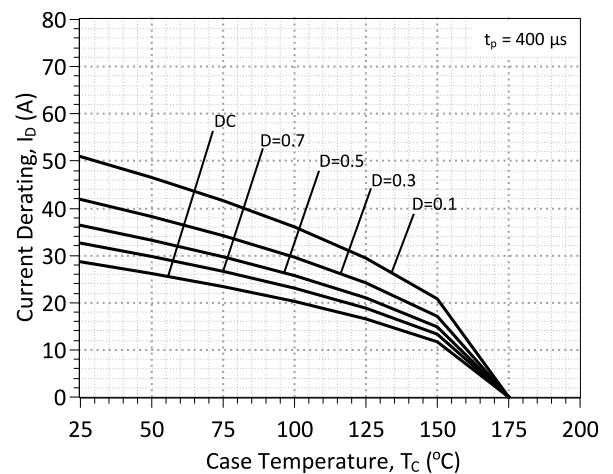


Figure 11: Drain Current Derating vs. Temperature

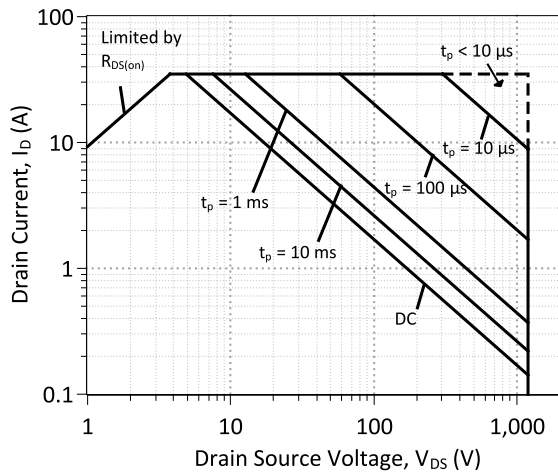


Figure 12: Forward Bias Safe Operating Area at $T_c=25\text{ }^\circ\text{C}$

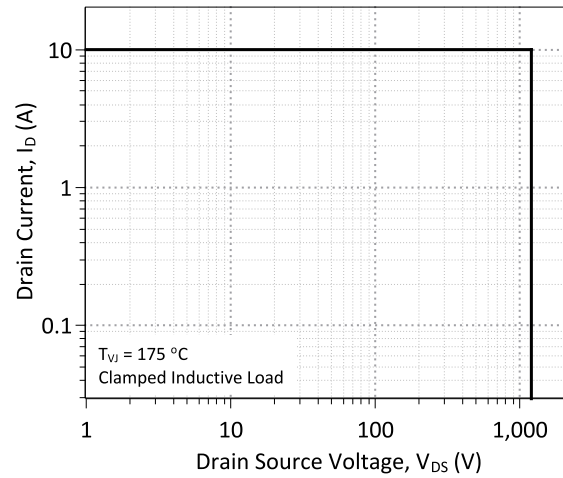


Figure 13: Turn-Off Safe Operating Area

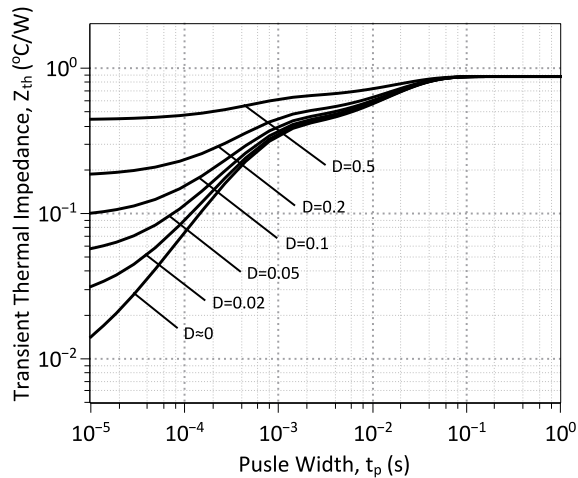


Figure 14: SJT Transient Thermal Impedance

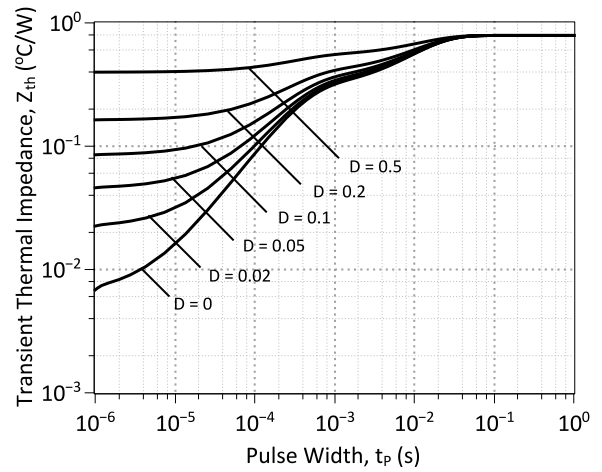


Figure 15: FWD Transient Thermal Impedance

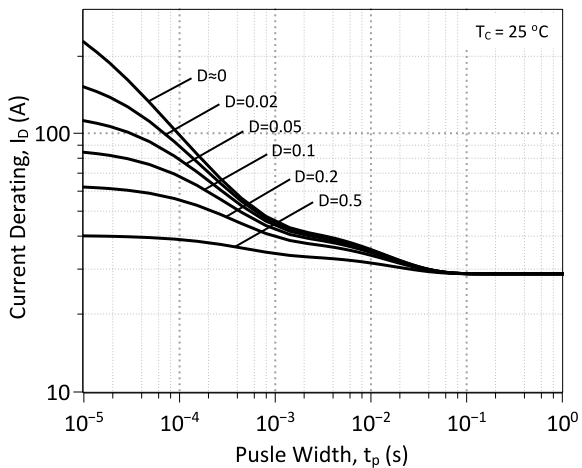


Figure 16: Drain Current Derating vs. Pulse Width

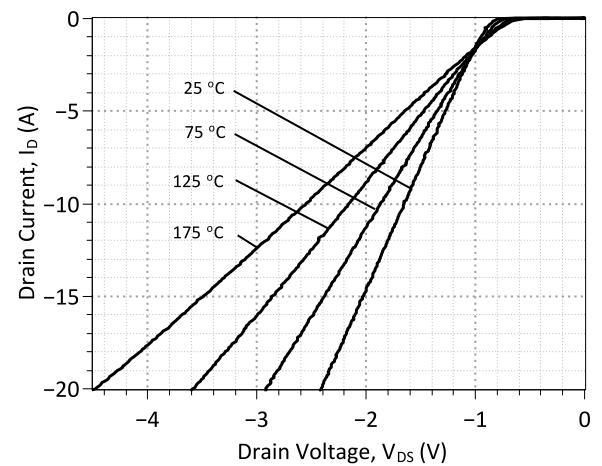


Figure 17: Typical FWD Forward Characteristics

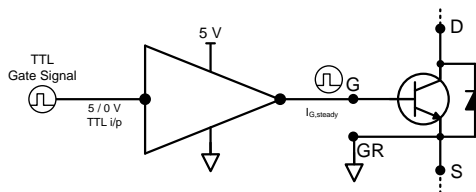
Section V: Driving the GA10SICP12-247

Drive Topology	Gate Drive Power Consumption	Switching Frequency	Application Emphasis	Availability
TTL Logic	High	Low	Wide Temperature Range	Coming Soon
Constant Current	Medium	Medium	Wide Temperature Range	Coming Soon
High Speed – Boost Capacitor	Medium	High	Fast Switching	Production
High Speed – Boost Inductor	Low	High	Ultra Fast Switching	Coming Soon
Proportional	Lowest	High	Wide Drain Current Range	Coming Soon
Pulsed Power	Medium	N/A	Pulse Power	Coming Soon

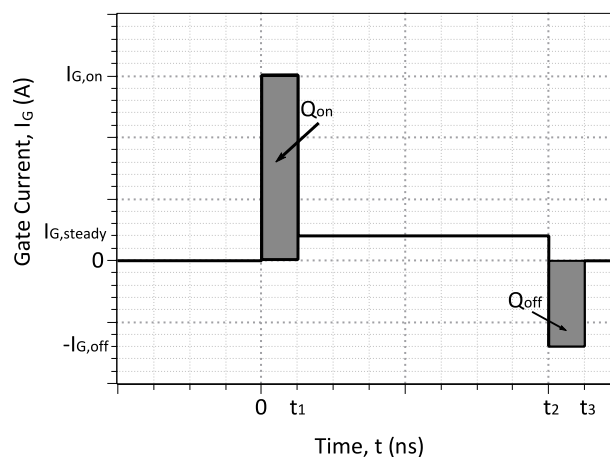
A: Static TTL Logic Driving

The GA10SICP12-247 may be driven using direct (5 V) TTL logic after current amplification. The (amplified) current level of the supply must meet or exceed the steady state gate current ($I_{G,steady}$) required to operate the GA10SICP12-247. The power level of the supply can be estimated from the target duty cycle of the particular application. $I_{G,steady}$ is dependent on the anticipated drain current I_D through the SJT and the DC current gain h_{FE} , it may be calculated from the following equation. An accurate value of the h_{FE} may be read from Figure 6.

$$I_{G,steady} \approx \frac{I_D}{h_{FE}(T, I_D)} * 1.5$$


Figure 18: TTL Gate Drive Schematic
B: High Speed Driving

The SJT is a current controlled transistor which requires a positive gate current for turn-on as well as to remain in on-state. An ideal gate current waveform for ultra-fast switching of the SJT, while maintaining low gate drive losses, is shown in Figure 19 which features a positive current peak during turn-on, a negative current peak during turn-off, and continuous gate current to remain on.


Figure 19: An idealized gate current waveform for fast switching of an SJT.

An SJT is rapidly switched from its blocking state to on-state, when the necessary gate charge, Q_G , for turn-on is supplied by a burst of high gate current, $I_{G,on}$, until the gate-source capacitance, C_{GS} , and gate-drain capacitance, C_{GD} , are fully charged.

$$Q_{on} = I_{G,on} * t_1$$

$$Q_{on} \geq Q_{gs} + Q_{gd}$$

Ideally, $I_{G,on}$ should terminate when the drain voltage falls to its on-state value in order to avoid unnecessary drive losses during the steady on-state. In practice, the rise time of the $I_{G,on}$ pulse is affected by the parasitic inductances, L_{par} in the device package and drive circuit. A voltage developed across the parasitic inductance in the source path, L_s , can de-bias the gate-source junction, when high drain currents begin to flow through the device. The voltage applied to the gate pin should be maintained high enough, above the $V_{GS,sat}$ (see Figure 7) level to counter these effects.

A high negative peak current, $-I_{G,off}$ is recommended at the start of the turn-off transition, in order to rapidly sweep out the injected carriers from the gate, and achieve rapid turn-off. While satisfactory turn off can be achieved with $V_{GS} = 0$ V, a negative gate voltage V_{GS} may be used in order to speed up the turn-off transition.

Two high-speed drive topologies for the SiC SJs are presented below.

B:1: High Speed, Low Loss Drive with Boost Capacitor, GA03IDDJT30-FR4

The GA10SICP12-247 may be driven using a High Speed, Low Loss Drive with Boost Capacitor topology in which multiple voltage levels, a gate resistor, and a gate capacitor are used to provide fast switching current peaks at turn-on and turn-off and a continuous gate current while in on-state. A 3 kV isolated evaluation gate drive board (GA03IDDJT30-FR4) utilizing this topology is commercially available for high and low-side driving, its datasheet provides additional details about this drive topology.

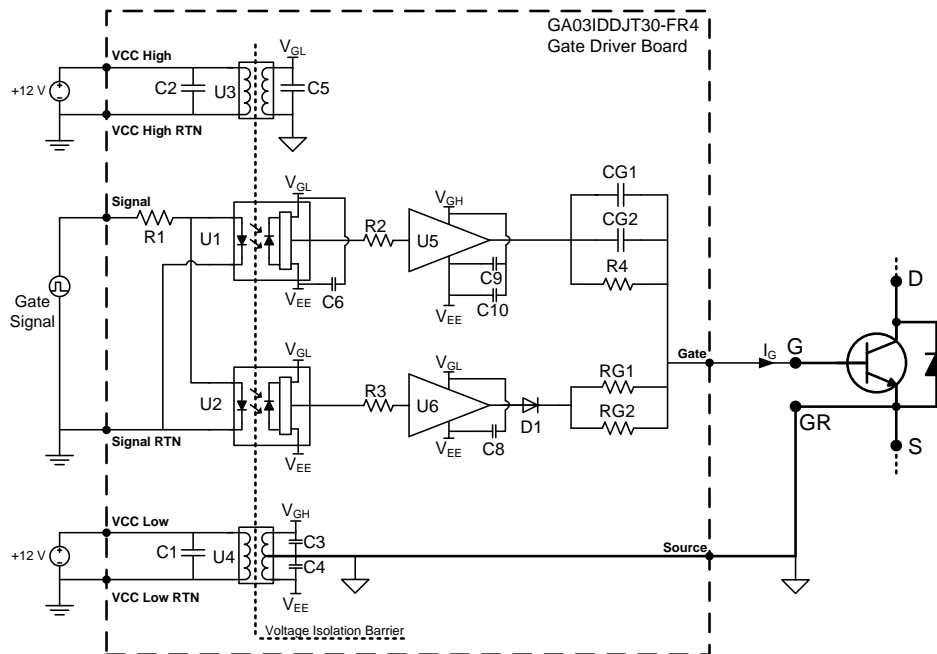


Figure 20: Topology of the GA03IDDJT30-FR4 Two Voltage Source gate driver.

The GA03IDDJT30-FR4 evaluation board comes equipped with two on board gate drive resistors (RG1, RG2) pre-installed for an effective gate resistance³ of $R_G = 3.75\ \Omega$. It may be necessary for the user to reduce RG1 and RG2 under high drain current conditions for safe operation of the GA10SICP12-247. The steady state current supplied to the gate pin of the GA10SICP12-247 with on-board $R_G = 3.75\ \Omega$, is shown in Figure 21. The maximum allowable safe value of R_G for the user's required drain current can be read from Figure 22.

For the GA10SICP12-247, R_G must be reduced for $I_D \geq \sim 14$ A for safe operation with the GA03IDDJT30-FR4.

For operation at $I_D \geq \sim 14$ A, R_G may be calculated from the following equation, which contains the DC current gain h_{FE} (Figure 6) and the gate-source saturation voltage $V_{GS,sat}$ (Figure 7).

$$R_{G,max} = \frac{(4.7V - V_{GS,sat}) * h_{FE}(T, I_D)}{I_D * 1.5} - 0.6\ \Omega$$

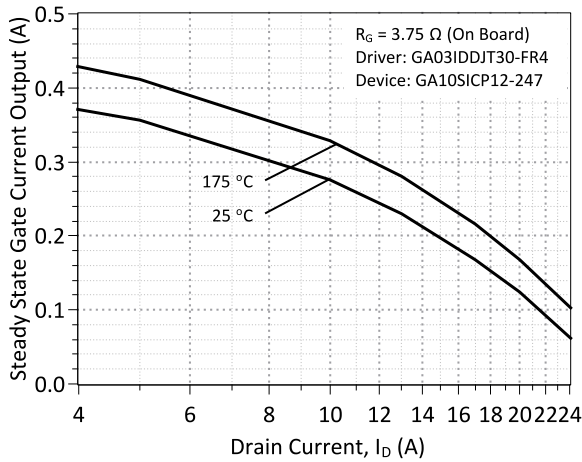


Figure 21: Typical steady state gate current supplied by the GA03IDDJT30-FR4 board for the GA10SICP12-247 with the on board resistance of 3.75 Ω

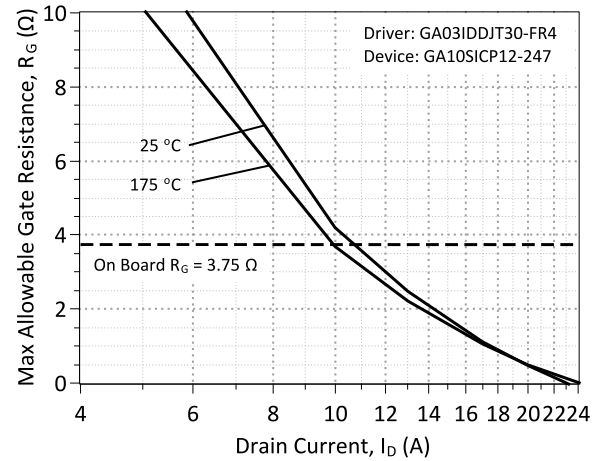


Figure 22: Maximum gate resistance for safe operation of the GA10SICP12-247 at different drain currents using the GA03IDDJT30-FR4 board.

B:2: High Speed, Low Loss Drive with Boost Inductor

A High Speed, Low-Loss Driver with Boost Inductor is also capable of driving the GA10SICP12-247 at high-speed. It utilizes a gate drive inductor instead of a capacitor to provide the high-current gate current pulses $I_{G,on}$ and $I_{G,off}$. During operation, inductor L is charged to a specified $I_{G,on}$ current value then made to discharge I_L into the SJT gate pin using logic control of S_1 , S_2 , S_3 , and S_4 , as shown in Figure 23. After turn on, while the device remains on the necessary steady state gate current $I_{G,steady}$ is supplied from source V_{CC} through R_G . Please refer to the article “A current-source concept for fast and efficient driving of silicon carbide transistors” by Dr. Jacek Rąbkowski for additional information on this driving topology.⁴

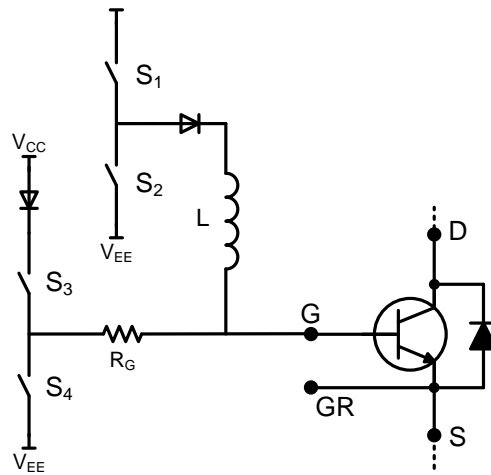


Figure 23: Simplified Inductive Pulsed Drive Topology

³ – $R_G = (1/R_{G1} + 1/R_{G2})^{-1}$. Driver is pre-installed with $R_{G1} = R_{G2} = 7.5 \Omega$

⁴ – Archives of Electrical Engineering. Volume 62, Issue 2, Pages 333–343, ISSN (Print) 0004-0746, DOI: 10.2478/ae-2013-0026, June 2013

C: Proportional Gate Current Driving

For applications in which the GA10SICP12-247 will operate over a wide range of drain current conditions, it may be beneficial to drive the device using a proportional gate drive topology to optimize gate drive power consumption. A proportional gate driver relies on instantaneous drain current I_D feedback to vary the steady state gate current $I_{G,steady}$ supplied to the GA10SICP12-247

C:1: Voltage Controlled Proportional Driver

The voltage controlled proportional driver relies on a gate drive IC to detect the GA10SICP12-247 drain-source voltage V_{DS} during on-state to sense I_D . The gate drive IC will then increase or decrease $I_{G,steady}$ in response to I_D . This allows $I_{G,steady}$, and thus the gate drive power consumption, to be reduced while I_D is relatively low or for $I_{G,steady}$ to increase when is I_D higher. A high voltage diode connected between the drain and sense protects the IC from high-voltage when the driver and GA10SICP12-247 are in off-state. A simplified version of this topology is shown in Figure 24, additional information will be available in the future at <http://www.genesicsemi.com/commercial-sic/sic-junction-transistors/>

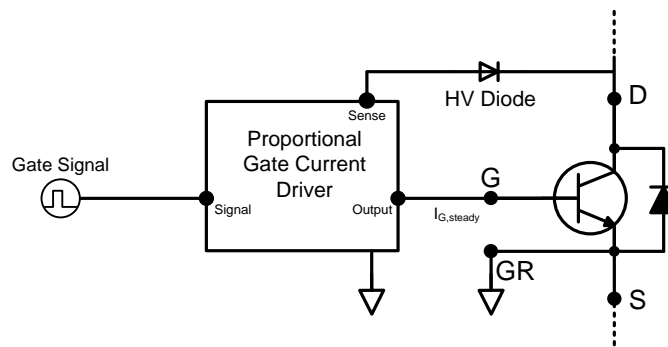


Figure 24: Simplified Voltage Controlled Proportional Driver

C:2: Current Controlled Proportional Driver

The current controlled proportional driver relies on a low-loss transformer in the drain or source path to provide feedback I_D of the GA10SICP12-247 during on-state to supply $I_{G,steady}$ into the device gate. $I_{G,steady}$ will then increase or decrease in response to I_D at a fixed forced current gain which is set by the turns ratio of the transformer, $h_{forced} = I_D / I_G = N_2 / N_1$. GA10SICP12-247 is initially tuned-on using a gate current pulse supplied into an RC drive circuit to allow I_D current to begin flowing. This topology allows $I_{G,steady}$, and thus the gate drive power consumption, to be reduced while I_D is relatively low or for $I_{G,steady}$ to increase when is I_D higher. A simplified version of this topology is shown in Figure 25, additional information will be available in the future at <http://www.genesicsemi.com/commercial-sic/sic-junction-transistors/>.

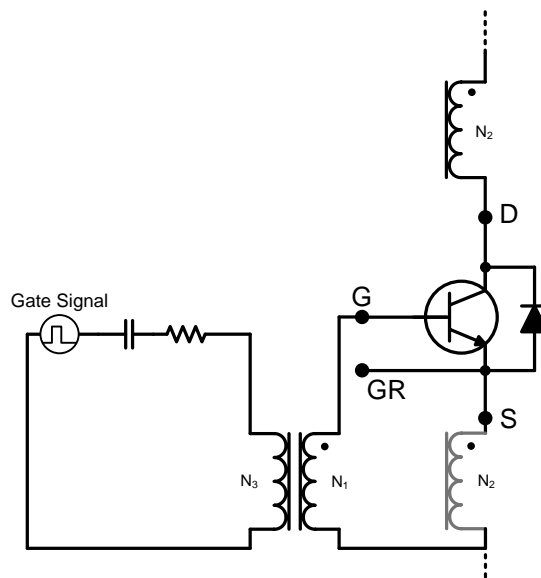
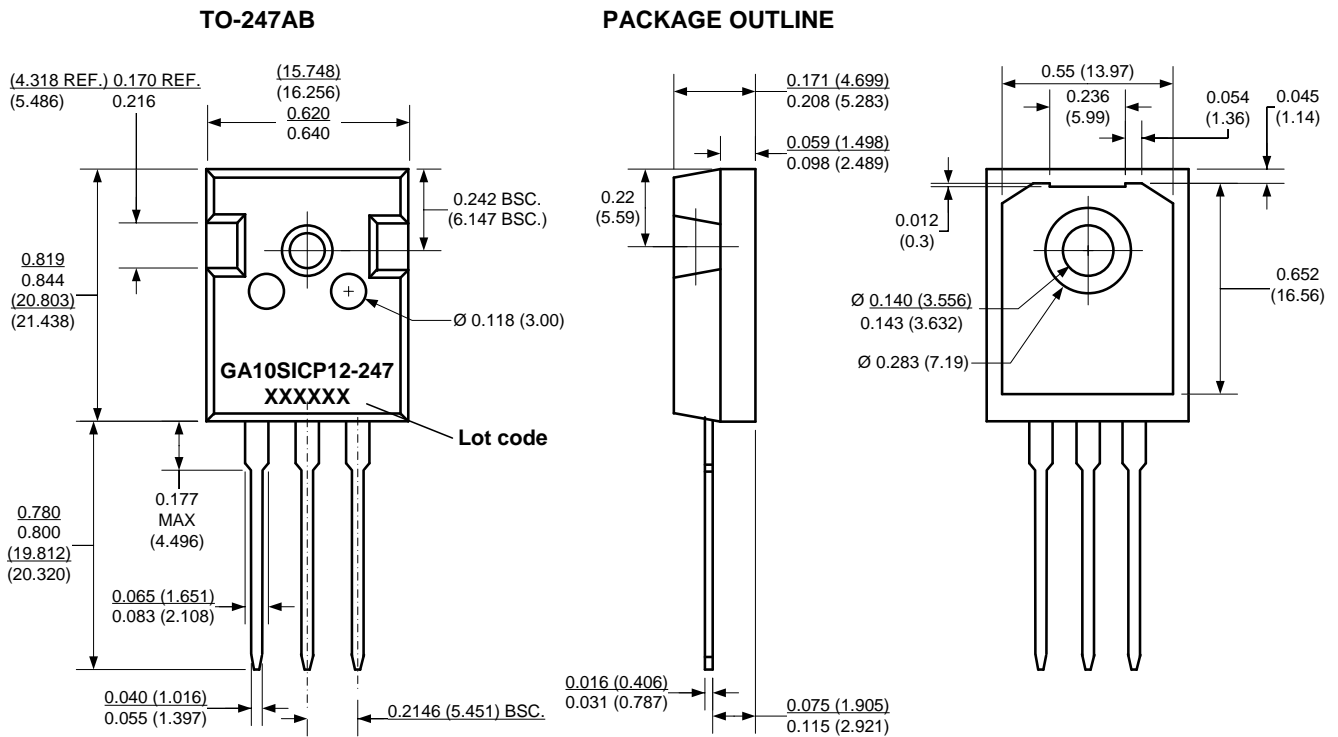


Figure 25: Simplified Current Controlled Proportional Driver

Section VI: Package Dimensions


- NOTE**
1. CONTROLLED DIMENSION IS INCH. DIMENSION IN BRACKET IS MILLIMETER.
 2. DIMENSIONS DO NOT INCLUDE END FLASH, MOLD FLASH, MATERIAL PROTRUSIONS

Revision History			
Date	Revision	Comments	Supersedes
2015/06/11	0	Initial release	

Published by
GeneSiC Semiconductor, Inc.
43670 Trade Center Place Suite 155
Dulles, VA 20166

GeneSiC Semiconductor, Inc. reserves right to make changes to the product specifications and data in this document without notice.

GeneSiC disclaims all and any warranty and liability arising out of use or application of any product. No license, express or implied to any intellectual property rights is granted by this document.

Unless otherwise expressly indicated, GeneSiC products are not designed, tested or authorized for use in life-saving, medical, aircraft navigation, communication, air traffic control and weapons systems, nor in applications where their failure may result in death, personal injury and/or property damage.

Section VII: SPICE Model Parameters

This is a secure document. Please copy this code from the SPICE model PDF file on our website (http://www.genesicsemi.com/images/products_sic/igbt_copack/GA10SICP12-247_SPICE.pdf) into LTSPICE (version 4) software for simulation of the GA10SICP12-247.

```

*      MODEL OF GeneSiC Semiconductor Inc.
*      $Revision: 1.0          $
*      $Date:      29-MAY-2015    $
*
*      GeneSiC Semiconductor Inc.
*      43670 Trade Center Place Ste. 155
*      Dulles, VA 20166
*
*      COPYRIGHT (C) 2015 GeneSiC Semiconductor Inc.
*      ALL RIGHTS RESERVED
*
*      These models are provided "AS IS, WHERE IS, AND WITH NO WARRANTY
*      OF ANY KIND EITHER EXPRESSED OR IMPLIED, INCLUDING BUT NOT LIMITED
*      TO ANY IMPLIED WARRANTIES OF MERCHANTABILITY AND FITNESS FOR A
*      PARTICULAR PURPOSE."
*      Models accurate up to 2 times rated drain current.
*
*      Start of GA10SICP12-247 SPICE Model
.SUBCKT GA10SICP12 DRAIN GATE SOURCE
Q1 DRAIN GATE SOURCE GA10SICP12_Q
D1 SOURCE DRAIN GA10SICP12_D1
D2 SOURCE DRAIN GA10SICP12_D2
*
.model GA10SICP12_Q NPN
+ IS      9.833E-48      ISE      1.073E-26      EG      3.23
+ BF      113          BR      0.55          IKF     5000
+ NF      1            NE      2            RB      4.67
+ RE      0.005        RC      0.083         CJC     427E-12
+ VJC     3.1004       MJC     0.4752         CJE     1373E-12
+ VJE     10.644      MJE     0.21376        XTI     3
+ XTB     -1.35        TRC1    7.0E-03          MFG     GeneSiC_Semi
+ IRB     0.001        RBM     0.16
.MODEL GA10SICP12_D1 D
+ IS      4.55E-15      RS      0.0736          N      1
+ IKF     1000          EG      1.2            XTI     -2
+ TRS1    0.0054347826 TRS2    2.71739E-05      CJO     6.40E-10
+ VJ      0.469         M      1.508          FC      0.5
+ TT      1.00E-10     BV      1200          IBV     1.00E-03
+ VPK     1200          IAVE    10
.MODEL GA10SICP12_D2 D
+ IS      1.54E-22      RS      0.19          TRS1    -0.004
+ N      3.941          EG      3.23            IKF     19
+ XTI     0            FC      0.5           TT      0
+ BV      1200          IBV     1.00E-03      VPK     1200
.ENDS
*      End of GA10SICP12-247 SPICE Model

```