

THIS DRAWING IS UNPUBLISHED.

RELEASED FOR PUBLICATION

LOC

DIST

REVISIONS

© COPYRIGHT - By -

ALL RIGHTS RESERVED.

FT

0

P

LTR

DESCRIPTION

DATE

DWN

APVD

P

REVISED PER ECO-11-004587

11MAR11

RK

HMR

MATERIAL:

HOUSING: POLYIMIDE 6 UL94V-2.

COLOR: NATURAL (OFF WHITE)

TUBULAR CONTACT: BRASS TIN PLATED.

SCREW: STEEL M3 ZINC W/ NON-HEXAVALENT

CHROMATE (CHROME III).

WIRE PROTECTOR: STAINLESS STEEL

ELECTRICAL:

UL/CSA

CURRENT RATING: 30A, 250V.

WIRE RANGE: 12-22 AWG.

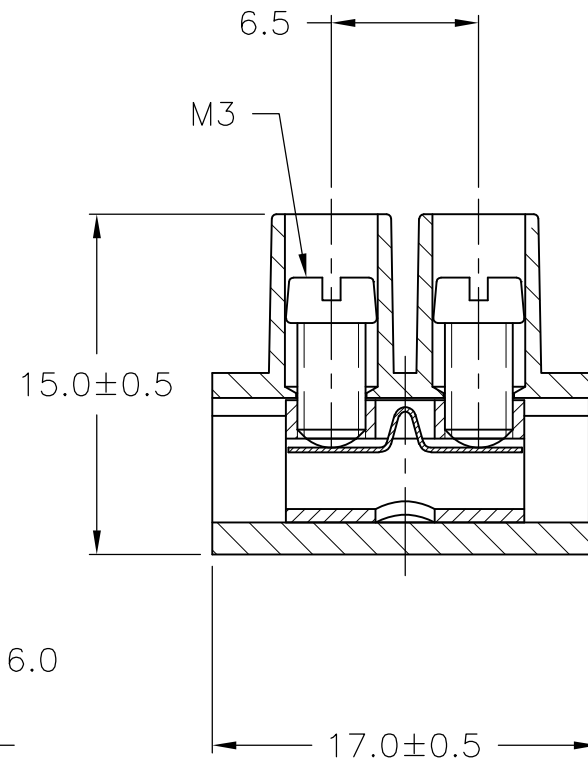
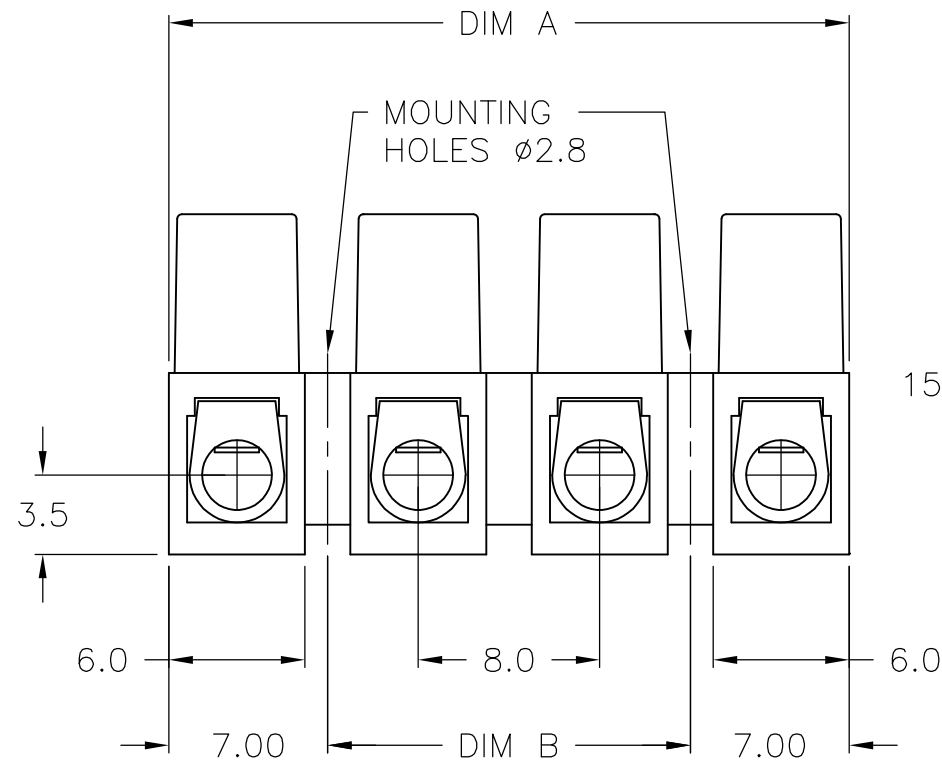
VDE

CURRENT RATING:

TO EN60 598: 16A

TO EN60 998: 24A

CONDUCTOR SIZE: UP TO 1.5 mm²



80.0	94.0±1.0	12	TSB23012DS	1-1776293-2
72.0	86.0±0.7	11	TSB23011DS	1-1776293-1
64.0	78.0±0.7	10	TSB23010DS	1-1776293-0
56.0	70.0±0.7	9	TSB23009DS	1776293-9
48.0	62.0±0.7	8	TSB23008DS	1776293-8
40.0	54.0±0.7	7	TSB23007DS	1776293-7
32.0	46.0±0.7	6	TSB23006DS	1776293-6
24.0	38.0±0.5	5	TSB23005DS	1776293-5
16.0	30.0±0.5	4	TSB23004DS	1776293-4
8.0	22.0±0.5	3	TSB23003DS	1776293-3
-	14.0±0.5	2	TSB23002DS	1776293-2
-	6.0±0.3	1	TSB23001DS	1776293-1
DIM B	DIM A	NO POSN	CATALOG NUMBER	PART NUMBER

THIS DRAWING IS A CONTROLLED DOCUMENT.

DWN S SCHLEGEL 3/18/05

CHK C RICHARD 3/18/05

APVD C RICHARD 3/18/05

PRODUCT SPEC

APPLICATION SPEC

WEIGHT -

CUSTOMER DRAWING

STE TE Connectivity

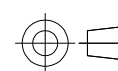
NAME EUROPA TERMINAL BLOCK W/WIRE PROTECTOR MOUNTING HOLES 2.8 DIA., 8.0mm PITCH

SIZE A3 CAGE CODE 00779 DRAWING NO C-1776293 RESTRICTED TO -

SCALE NTS SHEET 1 OF 1 REV P

DIMENSIONS:

mm



TOLERANCES UNLESS OTHERWISE SPECIFIED:

0 PLC	± -
1 PLC	± .3
2 PLC	± .25
3 PLC	± -
4 PLC	± -
ANGLES	± 2

MATERIAL -

FINISH -