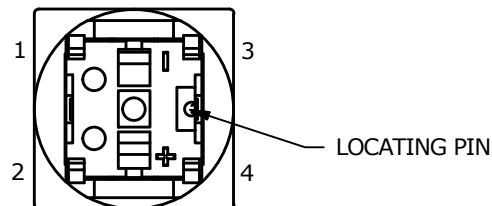
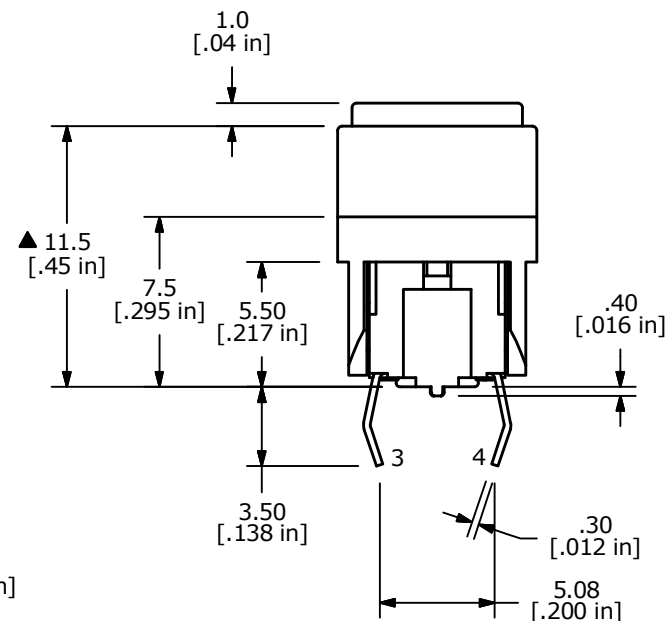
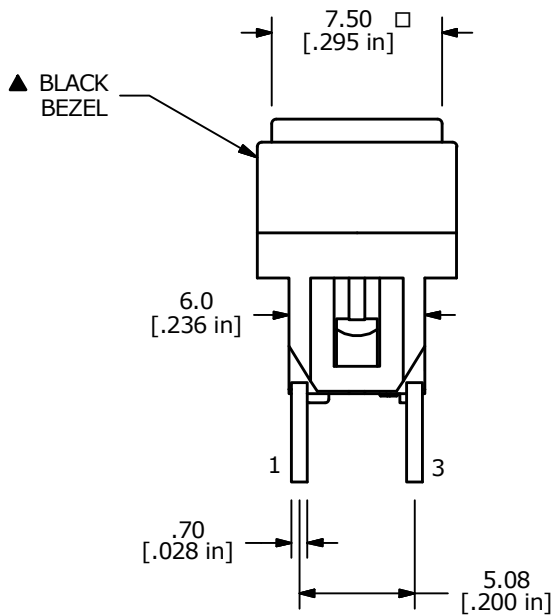
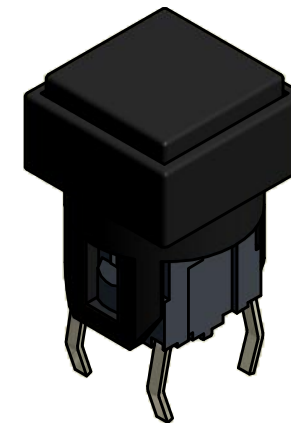
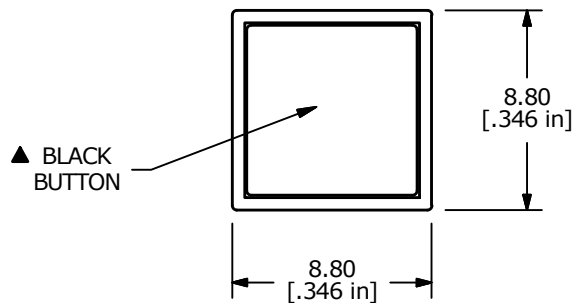


NOTES:

1. ALL DIMENSIONS IN MM [INCH]
2. GENERAL TOLERANCE: X.X = ±0.4
X.XX = ±0.25
3. RATING: 12VDC @ 50mA
4. CONTACT RESISTANCE: 100mΩ MAX.
5. INSULATION RESISTANCE: 100MΩ MIN.
- ▲ 6. OPERATING FORCE: 180± 50gf
7. TRAVEL: 0.2± 0.1mm
8. OPERATING TEMPERATURE: -40°C TO 85°C
9. OPERATING LIFE: 500,000 CYCLES
10. LED: NO LED REQUIRED
11. ▲ DENOTES CRITICAL PARAMETERS
12. 2002/95/EC (ROHS) COMPLIANT
13. PARTS TO BE PACKAGED 100 PARTS PER TRAY.



D	22308	UPDATE BEZEL	5/17/16	MW
C	22268	UPDATE DRAWING	5/13/16	MW
B	19413	REMOVE LED	11/04/10	BMA
A	18419	New Release	2/25/09	rc
REV	PCR NO	DESCRIPTION	DATE	BY



TITLE TL1220S2BBBNN

SCALE	DATE	DR	DWG	REV
3:1	1/27/2009	rc	B260004	D

THE INFORMATION CONTAINED IN THIS DOCUMENT IS PROPRIETARY TO E-SWITCH AND IS NOT TO BE COPIED OR TRANSFERRED