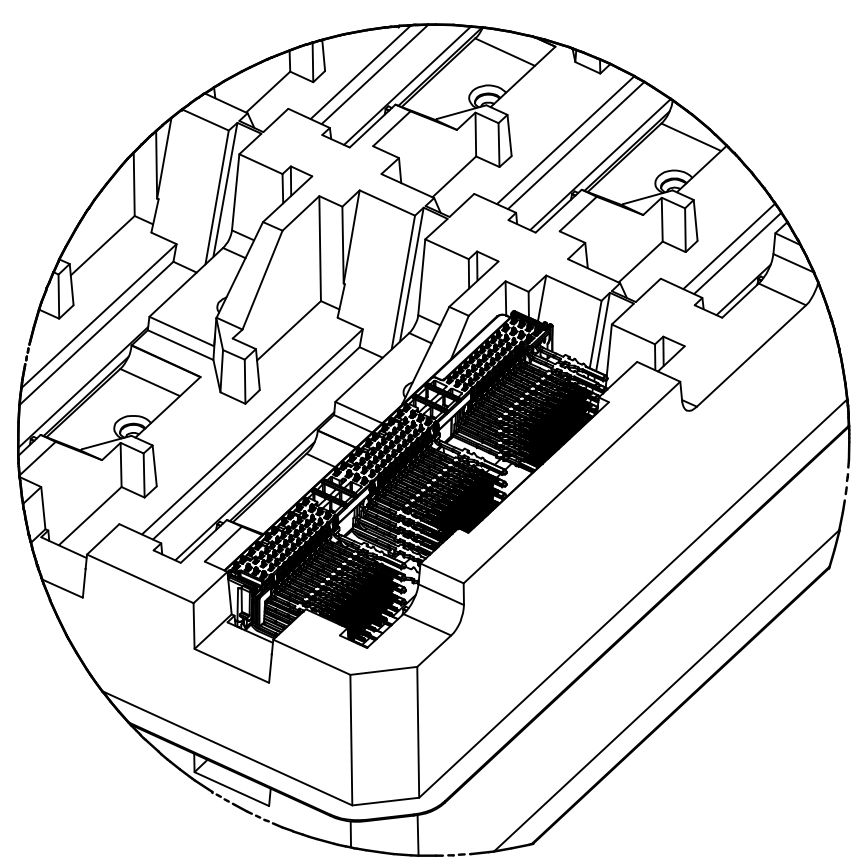
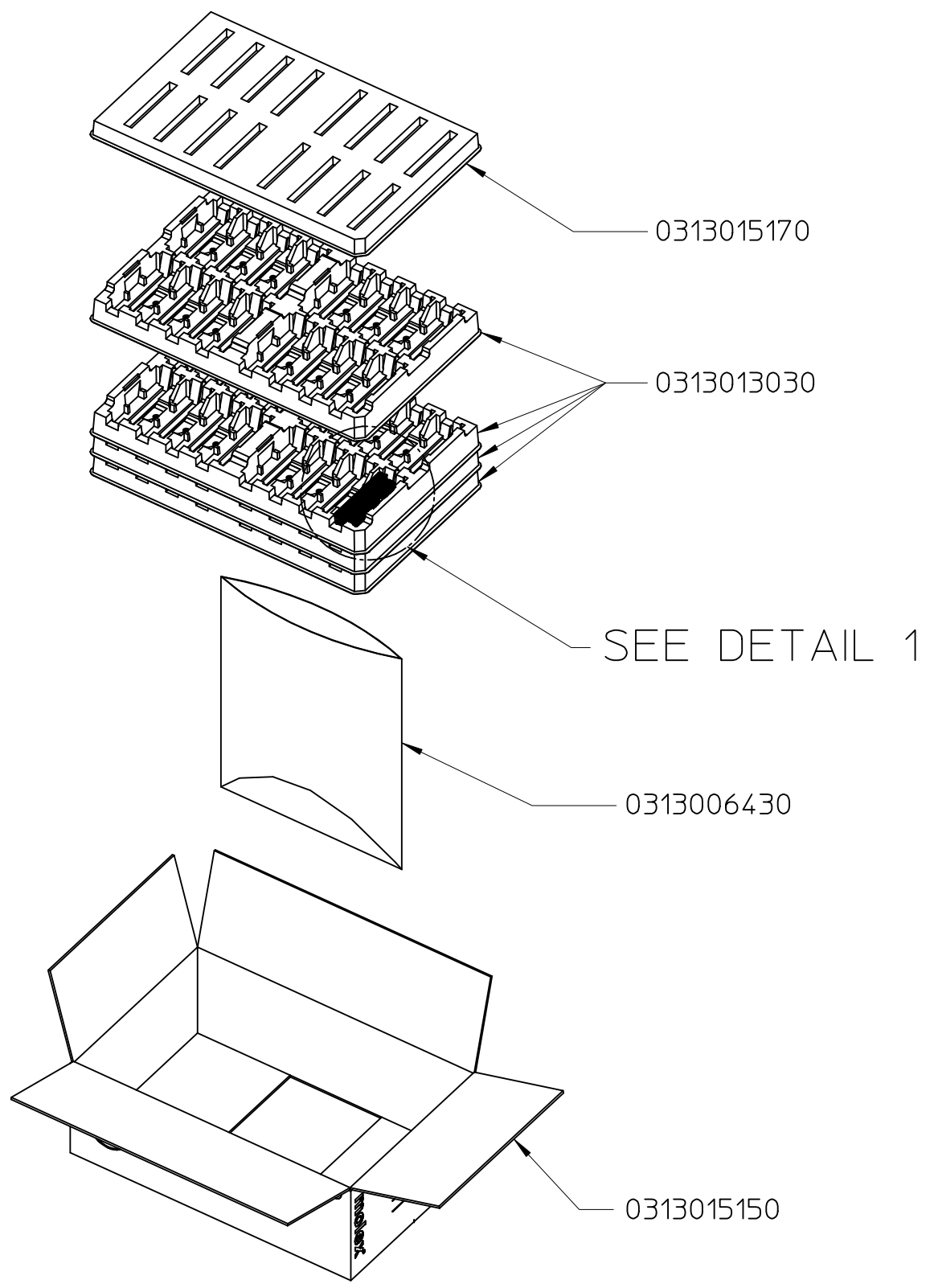
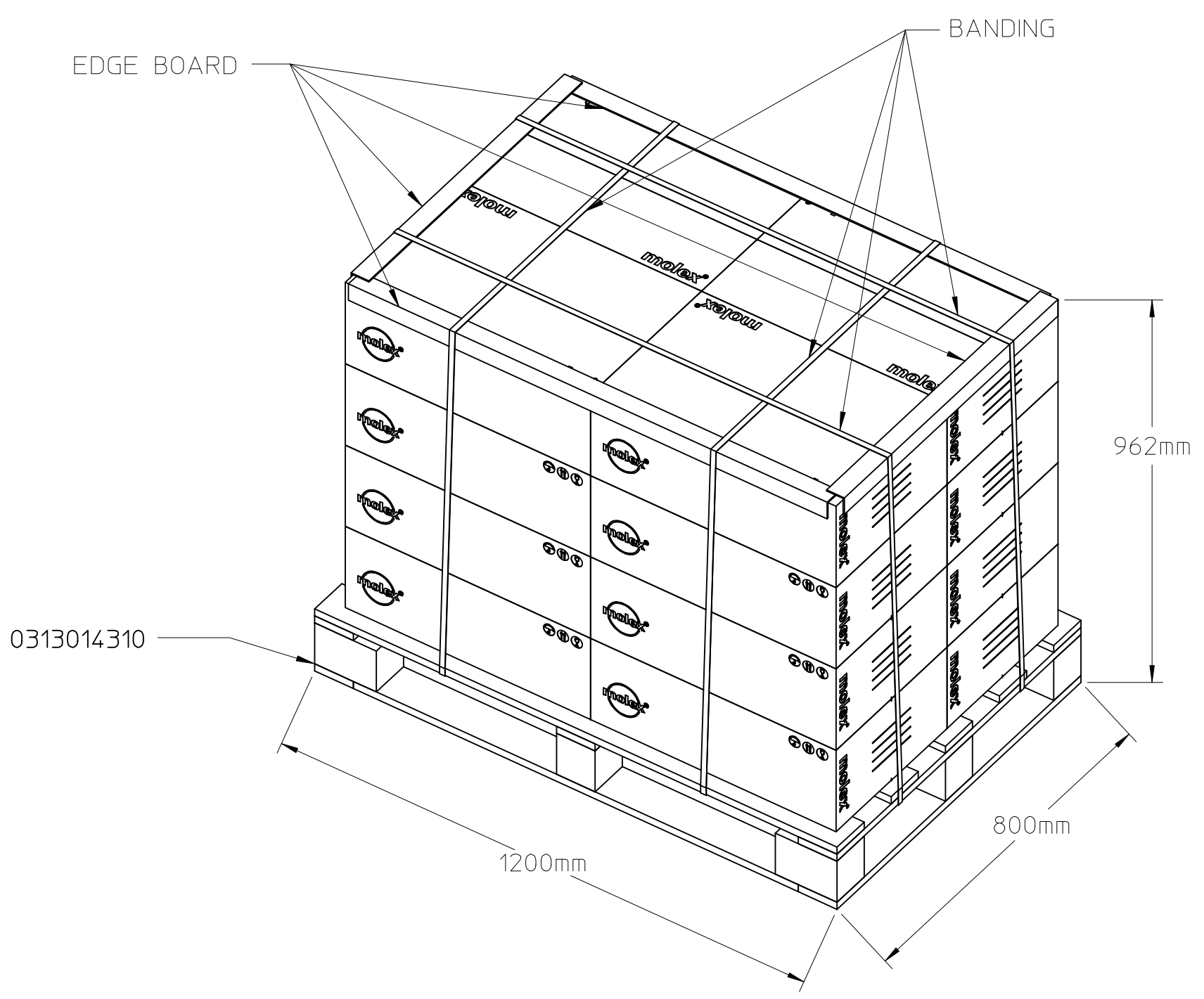


NOTES:

1. FOLD AND TAPE THE BOTTOM FLAPS OF THE CARTON (0313015150) AND INSERT LINER BAG (0313006430).
2. INSERT ONE TRAY (0313013030) AND LOAD 16 HEADERS ORIENTED WITH RESPECT TO THE CHAMFERED CORNER OF THE TRAY AS SHOWN IN DETAIL 1.
3. REPEAT 2 THREE MORE TIMES MORE SO YOU HAVE 4 LOADED TRAYS IN THE CARTON.
4. INSERT ONE COVER (0313015170) ORIENTED AS SHOWN AND FOLD OVER THE TOP OF THE LINER BAG.
5. FOLD AND TAPE THE TOP FLAPS OF THE CARTON, THEN LABEL THE CARTON.
6. PALLETIZE AS SHOWN IN UP TO 4 LAYERS OF 4 CARTONS. PROTECT THE EDGES OF THE TOP CARTONS WITH 4 PIECES OF EDGE BOARD, SECURE THE CARTONS TO THE PALLET WITH 4 STRAP OF PLASTIC BANDING AND OVER WRAP WITH STRETCH WRAP.
7. STANDARD PACKAGE QUANTITY (SPQ): 64
8. SUGGESTED MINIMUM ORDER QUANTITY (MOQ): 1024



DETAIL 1
SCALE 1:2



CONTI FOOTPRINT EC NO: UAU2011-0095 DRWN: PHELPS 2010/04/21 CHKD: P. PHELPS 2009/03/25 APPR: JNORTHRO 2010/08/03	QUALITY SYMBOLS	GENERAL TOLERANCES (UNLESS SPECIFIED)		DIMENSION STYLE IN/MM		SCALE 1:10	DESIGN UNITS INCH	THIRD ANGLE PROJECTION	
	▼=0 ▽=0	mm	INCH	DRAWN BY P.PHELPS	DATE 2009/03/25	TITLE 16-CELL TRAY PACK FOR 034763 HEADERS JOHN DEERE 154-WAY			
		4 PLACES ± ---	± ---	CHECKED BY P.PHELPS	DATE 2009/03/25	MOLEX INCORPORATED			
		3 PLACES ± ---	± ---	APPROVED BY J.NORTHROP	DATE 2009/03/25	MATERIAL NO. 034763****		DOCUMENT NO. PK-31301-304	SHEET NO. 1 OF 1
REV 4	DESCRIPTION	ANGULAR ± 1 °		DRAFT WHERE APPLICABLE MUST REMAIN WITHIN DIMENSIONS		THIS DRAWING CONTAINS INFORMATION THAT IS PROPRIETARY TO MOLEX INCORPORATED AND SHOULD NOT BE USED WITHOUT WRITTEN PERMISSION			