

48-WAY SEALED STACKABLE MINI® POWER DISTRIBUTION CENTER

RoHS



Specifications

Output terminal rating: 2.8mm blade terminals(30A max per terminal)
 Temperature rating: -40°C to 125°C
 Materials: Housing and cover-thermoplastic; seal-silicone

Features:

- High component density based around the Delphi Packard Metri-Pack* 280 series terminal
- PDM's interlock to allow for component "add-ons" and system growth
- Made of "rugged" thermoplastic
- Designed to withstand harsh environments-IP66/67
- Optional TPA's(terminal positions assurance) available
- Custom Labels are available
- Diode Key Available

Description

The 48 Way MINI® Power distribution Center provides a compact, durable and sealed power distribution solution for the transportation OEM market. Ideal for use in either "distributed" main power or "auxiliary" power distribution applications.

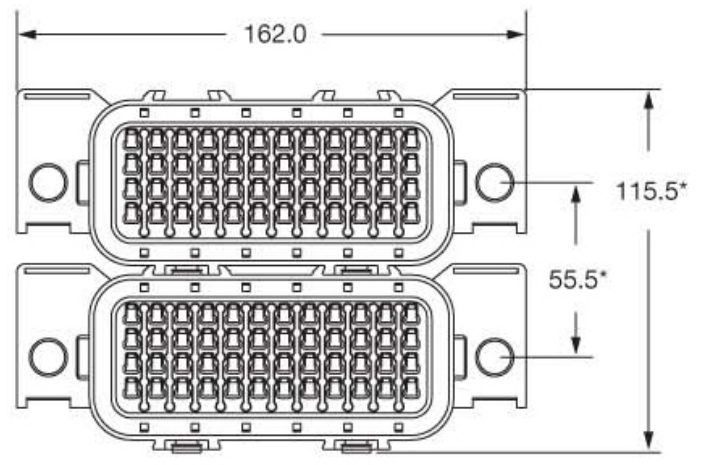
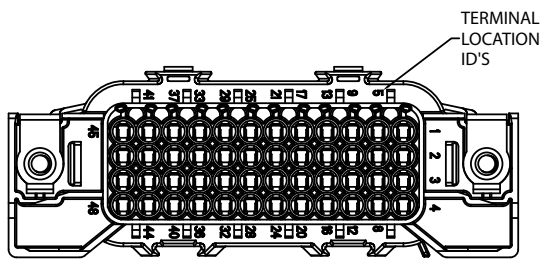
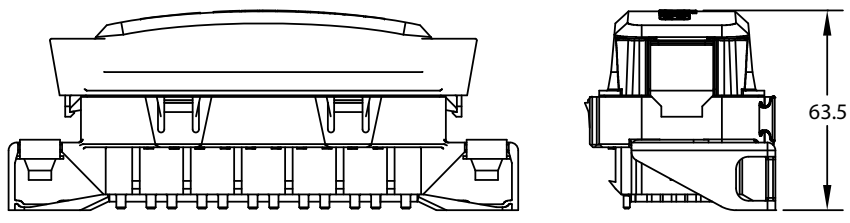
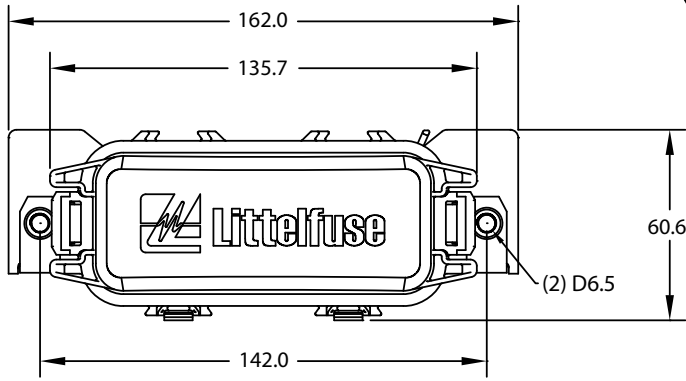
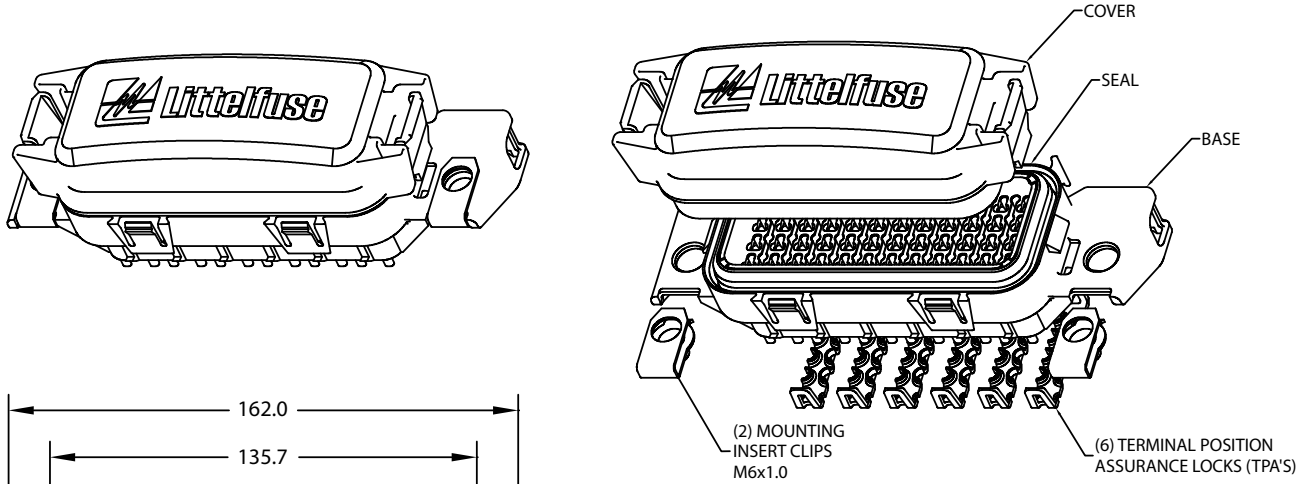
Ratings

Part Number	Description
PDM11001HXM	PDM Module Assembly (includes cover, base, seal, 2 mounting clips, and 6 TPAs)
868-161	PDM Base Only
873-030	PDM Cover Only
901-314	PDM Seal Only
883-080	PDM TPA (1pc)
883-082	PDM Mounting Clip (1pc)

48-WAY SEALED STACKABLE MINI® POWER DISTRIBUTION CENTER

RoHS

Part number PDM11001HXM



*For each module added these dimensions will increase by 55.5mm