

LOC J	DIST —	REVISIONS 変更			
P	LTR	DESCRIPTION	DATE	DWN	APVD
P		REVISED PER ECO-11-005294	05APR11	RK	HMR

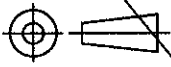

SEE DRAWING C-1376390

RELEASED FOR PUBLICATION

ALL RIGHTS RESERVED.

© COPYRIGHT

THIS DRAWING IS UNPUBLISHED.

DIMENSIONS: MM TOLERANCES UNLESS OTHERWISE SPECIFIED: 0 PLC ± - 1 PLC ± - 2 PLC ± - 3 PLC ± - 4 PLC ± - ANGLES ± - 	DWN	A.OISHI	31AUG'00	MATERIAL	FINISH	
	CHK	Y.KASHIWA	31AUG'00	 TE Connectivity		
	APVD	Y.KASHIWA	31AUG'00			
	PRODUCT SPEC	118-5699		NAME		
	APPLICATION SPEC	114-5292		5.0 POWER KEY CONNECTOR 6P PLUG HOUSING		
	WEIGHT	—		SIZE	CAGE CODE	DRAWING NO
CUSTOMER DRAWING			A4	00779	C-1376391	—
			SCALE	—	SHEET	1 OF 1 REV P

00/09/20 09:44